



# MIC10941/10939

## V. F. Alphanumeric and Bargraph Display Controller

### Summary Information\*—Not Recommended for New Designs

### General Description

The MIC10941 and MIC10939 Alphanumeric and Bargraph Display Controller is a two-chip MOS/LSI general purpose display controller system designed to interface with bargraph and segmented displays (vacuum fluorescent or LED).

The two-chip set will drive displays with up to 16 segments (plus decimal point and comma tail) and up to 20 grids (characters) plus a cursor. The chips can be cascaded to drive larger displays of 80 characters. Segment decoding for ASCII characters and bargraph patterns is accomplished through an internal PLA.

*Micrel has received the rights from Rockwell International to manufacture and market this product and reproduce the specifications, including references to Rockwell.*

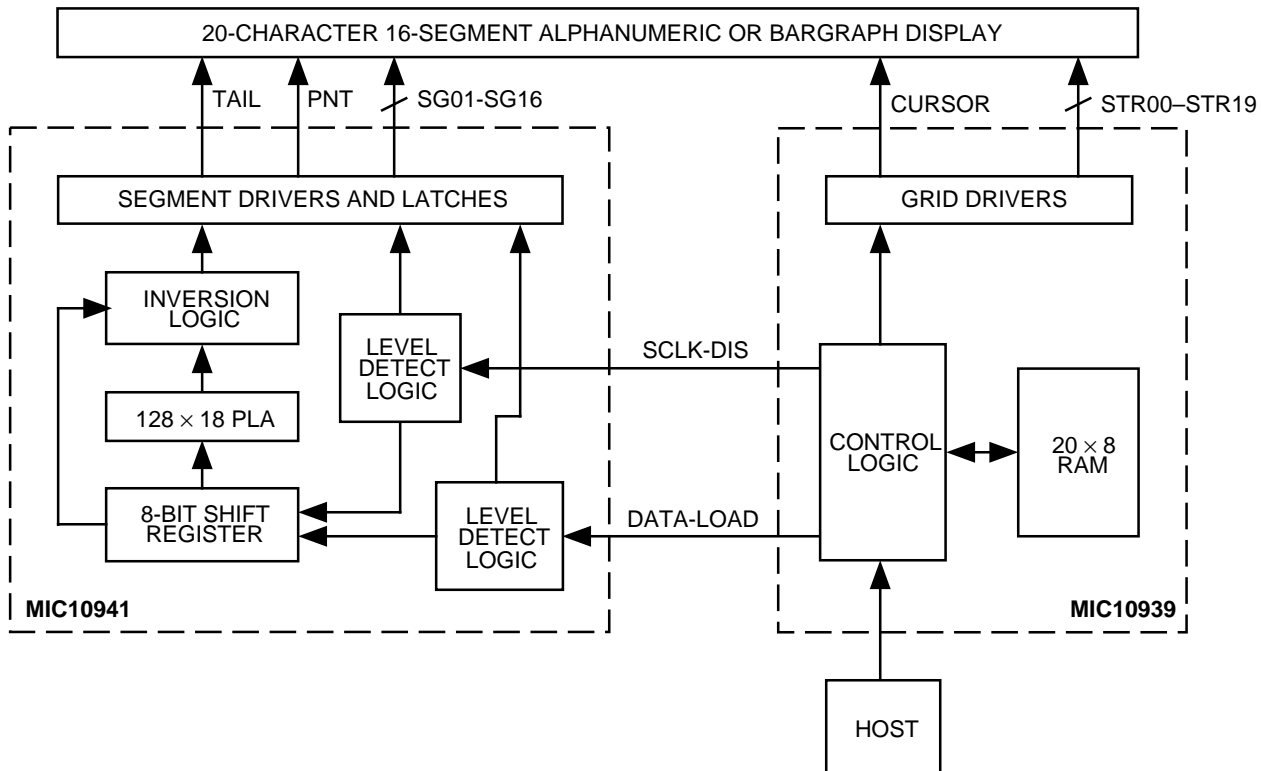
### Features

- 20-character display driver cascadable to 80 characters
- Direct drive capability for vacuum-fluorescent displays
- 128 × 18 PLA provides segment decoding for ASCII characters (all caps only) and bargraph patterns
- Serial or parallel data input for 8-bit display and control characters
- Brightness, refresh rate, and display mode controls
- Separate cursor driver output
- 40-pin DIP or 44-pin PLCC (MIC10939)
- 24-pin DIP package (MIC10941)

### Ordering Information

Part Number	Temperature Range	Package
MIC10941P-50	0°C to +70°C	24-pin P-DIP
MIC10941PE-50	-40°C to +85°C	24-pin P-DIP
MIC10939J-50	0°C to +70°C	44-pin PLCC
MIC10939P-50	0°C to +70°C	40-pin P-DIP
MIC10939PE-50	-40°C to +85°C	40-pin P-DIP

### Block Diagram



\* Contact Micrel for more information.