

\*RoHS COMPLIANT



**BOURNS®**

**Features**

- Metal version
- Various housings (bushing lengths), shaft and rotary switches available
- Additional models and versions available
- Carbon resistive element



This model is currently available but not recommended for new designs.

**0503 - Rotary Potentiometer w/Switch**

**Characteristics**

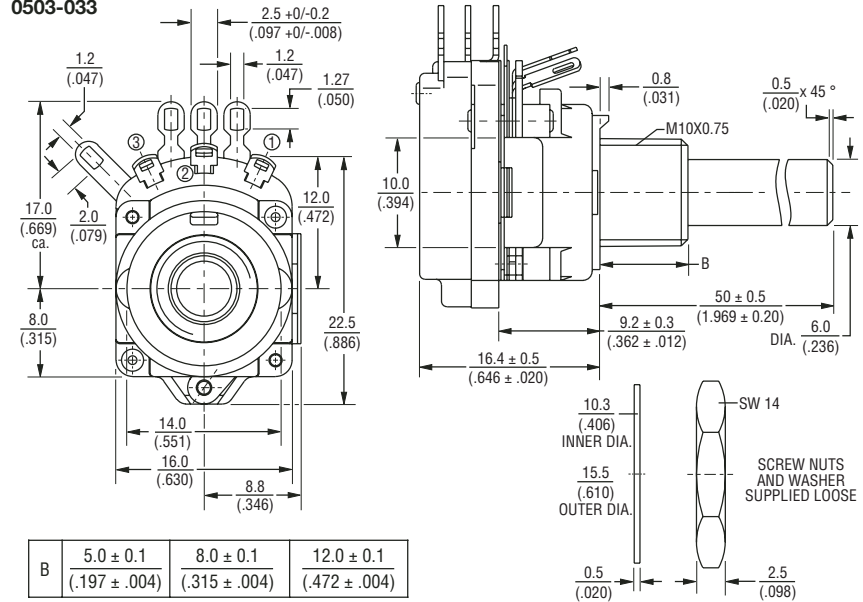
Mechanical Angle .....310 ° (270 ° + 40 °)  
 Starting Torque .....0.5 to 1.5 Ncm  
 End Stop Strength .....60 Ncm  
 Shaft Push-Pull Force .....100 N max.  
 Resistance Range .....100 ohms to 4.7 megohms  
 Resistance Taper .....Linear  
 Power Rating .....0.2 W  
 Switch Function .....1 pole on/change-over switch  
 Switch Rating .....1 pole 250 V/1 A  
 Switch Angle .....40 °  
 Switch Torque .....3.5 Ncm to 7 Ncm  
 Temperature Range .....-25 °C to +70 °C  
 Rotational Life .....10,000 cycles  
 Switch Life .....10,000 cycles

**Standard Resistance Table**

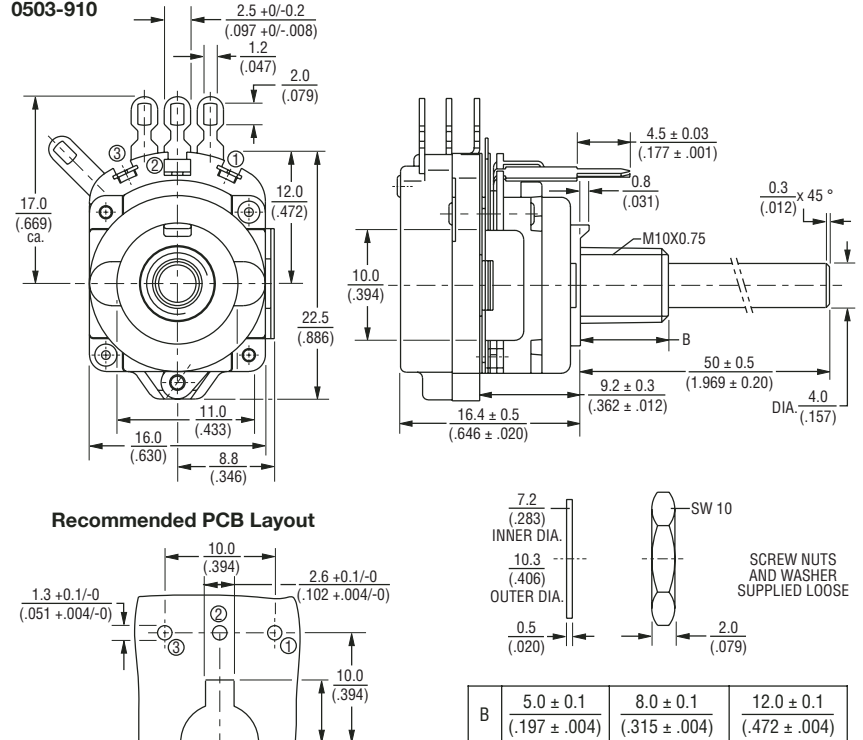
Resistance (Ohms)	Resistance Code
100	101
220	221
470	471
500	501
1,000	102
2,200	222
4,700	472
5,000	502
10,000	103
22,000	223
47,000	473
50,000	503
100,000	104
220,000	224
470,000	474
500,000	504
1,000,000	105

**Product Dimensions**

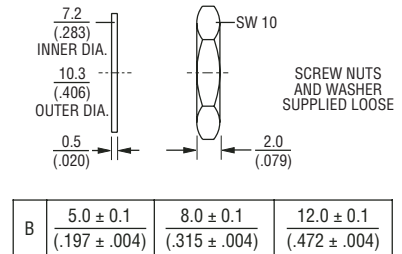
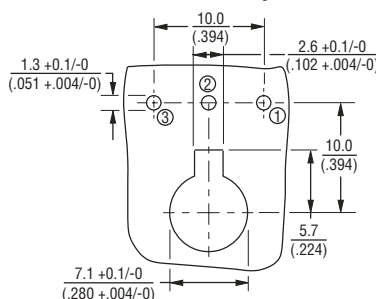
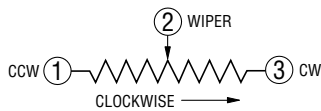
**0503-033**



**0503-910**



**Recommended PCB Layout**



B	5.0 ± 0.1 (.197 ± .004)	8.0 ± 0.1 (.315 ± .004)	12.0 ± 0.1 (.472 ± .004)
---	-------------------------	-------------------------	--------------------------

DIMENSIONS ARE:  $\frac{\text{MM}}{\text{(INCHES)}}$

\*RoHS Directive 2002/95/EC Jan. 27, 2003 including annex and RoHS Recast 2011/65/EU June 8, 2011. Specifications are subject to change without notice. Customers should verify actual device performance in their specific applications.

# 0503 - Rotary Potentiometer w/Switch

**BOURNS®**

## How to Order

**0503 - 910 H 320 - A B 103**

Model Type	—				
• 0503					
Terminal Style	—				
Only					
Avail. w/					
Bushing					
Code:					
• 033	K,M,N	Switch			
		Type:			
		1-pole			
		change-			
		over			
• 910	G,H,U	1-pole			
		change-			
		over			
Other versions avail.					
on request.					
Bushing & Shaft Type	—				
U = 7 mmD x 8 mmL,					
Shaft 4 mmD					
H = 7 mmD x 5 mmL,					
Shaft 4 mmD					
G = 7 mmD x 12 mmL,					
Shaft 4 mmD					
K = 10 mmD x 8 mmL,					
Shaft 6 mmD					
M = 10 mmD x 5 mmL,					
Shaft 6 mmD					
N = 10 mmD x 12 mmL,					
Shaft 6 mmD					
Shaft Length	—				
• 500 = 50 mm					
Other lengths avail. upon request.					
Independent Linearity	—				
A = ±5 %					
B = ±4 %					
C = ±3 %					
Other versions avail. on request.					
Element Taper	—				
B = Linear Carbon ±20 %					
E = Linear Carbon ±10 %					
L = Linear Carbon ±5 %					
Resistance Code	—				
Other versions available upon request.					