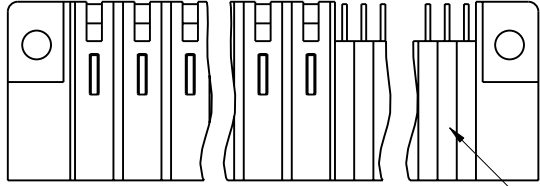


Tous droits strictement reserves. Reproduction ou communication a des tiers interdite sous quelque forme que ce soit sans autorisation ecrite du proprietaire. Propriete de c FCI. Droits de reproduction FCI.

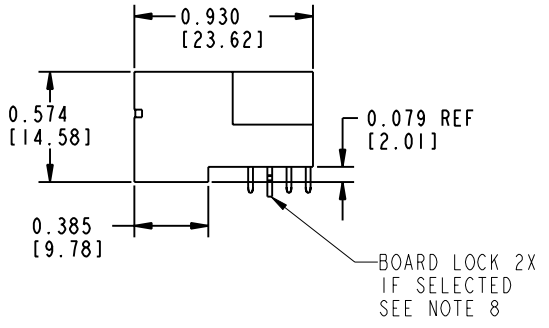
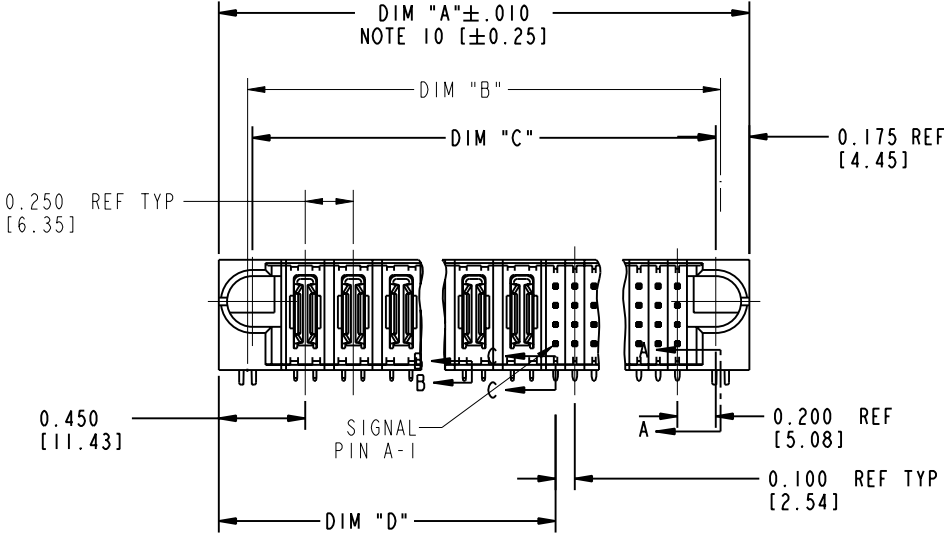


All rights strictly reserved. Reproduction or issue to third parties in any form whatever is not permitted without written authority from the proprietor. Property of FCI. Copyright FCI.

PRODUCT NUMBER  
51722-ABBCCC00EF\_\_  
SEE NOTE 1



SEE NOTE 9



**CONFIDENTIAL**

mat'l code				tolerances unless otherwise specified				CUSTOMER		FCI www.fciconnect.com	
lfr	ecr no.	dr	date	linear	.XX±.01/.X±.3		COPY		projection	title	
H	DG05-0123	SJ	05/24/05		.XXX±.005/.XX±.13		INCH/MM			RIGHT ANGLE HEADER w/GUIDE PIN POWER / SIGNAL	
J	DG06-0011	CS	01/13/06	angles	.XXX±.0020/.XXX±.051		scale		product family		
K	DG06-0195	JMG	05/25/06		0°±2°		1:1		POWERBLADE		
sheet index				revision	K	K	K	size		code	
sheet index				sheet	1	2	3	A		213	
								dwg no		sheet	
								51722		1 of 3	

Pro/E

cage code 22526

Tous droits strictement reserves. Reproduction ou communication a des tiers interdite sous quelque forme que ce soit sans autorisation ecrite du proprietaire. Propriete de c FCI. Droits de reproduction FCI.



All rights strictly reserved. Reproduction or issue to third parties in any form whatever is not permitted without written authority from the proprietor. Property of FCI. Copyright FCI.

1 | 2

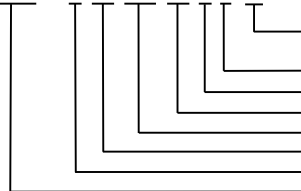
3 |

4

PRODUCT NUMBER	DIM	LENGTH FORMULAS (SEE NOTE 10)
51722-ABBCC00EF...	DIM "A"	.250 [6.35] x BB + .100 [2.54] x (CCC/4) + .650 [16.51] (NOTE 10)
SEE NOTE 1	DIM "B"	.250 [6.35] x BB + .100 [2.54] x (CCC/4) + .350 [8.89]
	DIM "C"	.250 [6.35] x BB + .100 [2.54] x (CCC/4) + .300 [7.62]
	DIM "D"	.250 [6.35] x BB + .375 [9.53]
	DIM "F"	.250 [6.35] x BB + .100 [2.54] x (CCC/4) + .680 [17.27]
	DIM "G"	.250 [6.35] x BB + .225 [5.72]

CONNECTOR NOTES

1 PRODUCT NUMBER CODE:  
51722 - A BB CCC 00 E F LF



NO THIS SUFFIX: 100u"/2.54um SnPb ON PCB INTERFACE  
ADD THIS SUFFIX: 78u"/2.00um Sn OR 5u" Au ON PCB INTERFACE  
RETENTION TO PCB (NOTE 8)  
TAIL OPTIONS (NOTE 7)  
ALWAYS '00' (ZERO, ZERO)(NOTE 6)  
NUMBER OF SIGNAL CONTACTS (NOTE 5)  
NUMBER OF LEFT POWER CONTACTS (NOTE 4)  
PLATING (NOTE 3)  
BASE NUMBER

- 8. RETENTION TO PCB OPTIONS:  
A = BOARD LOCK (REQUIRES .098 + .002, -.001 [2.49 +0.05, -0.03] THRU HOLE IN PCB).  
MOUNTING FOOT THICKNESS 0.220 [5.59]  
B = .150 [3.81] THRU HOLE (REQUIRES .158±.003 [4.01±08] THRU HOLE IN PCB).  
MOUNTING FOOT THICKNESS 0.160 [4.06]
- 9. MANUFACTURE'S NAME, P/N, AND DATE CODE TO APPEAR ON THIS SURFACE.
- 10. THE MAXIMUM OVERALL LENGTH (DIM A) OF A PART IS 8.00 [203.2]
- 11. PRODUCT SPECIFICATION GS-12-149
- 12. REFERENCE 51730 FOR SELECT LOAD/FMLB FOR WORKSHEET

PCB NOTES:

- 13. ALL DIMENSIONS ARE BASIC UNLESS OTHERWISE SPECIFIED.
- 14. ALL THROUGH HOLES ARE LOCATED WITH A TRUE POSITION OF .004[0.10]
- 15. ALL HOLE DIAMETERS ARE FINISHED HOLE SIZE.
- 16. Ø0.0453 ±.001 [1.151 ±0.02] DRILLED HOLES PLATED WITH 0.0003 [0.007] MIN SnPb OVER 0.001 [1.03] TO .003 [0.08] PLATING TO ACHIEVE A .040±.003 [1.02±08] HOLE.

- 2. HOUSING MATERIAL: GLASS FILLED V-O HIGH TEMP THERMO PLASTIC.  
SIGNAL CONTACT MATERIAL: PHOS BRONZE  
POWER CONTACT MATERIAL: COPPER ALLOY
- 3. PLATING OPTION:  
1 = SIGNAL CONTACTS: 50u" / 1.27um Ni UNDER ALL; 30u" / 0.76um Au ON THE CONTACT AREA AND WITH 100u"/2.54um SnPb OR 78u"/2.00um Sn ON PCB INTERFACE  
POWER CONTACTS: 50u" / 1.27um Ni UNDER ALL; WITH 30u" / 76um Au ON CONTACT AREA AND WITH 100u"/2.54um SnPb OR 78u"/2.00um Sn ON PCB INTERFACE  
  
3 = SIGNAL CONTACTS: 50u" / 1.27um Ni UNDER ALL; 30u" / 0.76um Au ON THE CONTACT AREA AND WITH 5u"/0.13um Au ON PCB INTERFACE  
POWER CONTACTS: 50u" / 1.27um Ni UNDER ALL; WITH 30u" / 76um Au ON CONTACT AREA AND WITH 5u"/0.13um Au ON PCB INTERFACE
- 4. LEFT END POWER CONTACTS, 01 TO 20 AVAILABLE.  
MAXIMUM OF 20 POWER CONTACTS PER CONNECTER.
- 5. SIGNAL CONTACTS, 004 TO 148 AVAILABLE.
- 6. THIS PART IS NOT AVAILABLE WITH RIGHT SIDE POWER CONTACTS.
- 7. TAIL OPTIONS:  
A = .135 [3.43] SOLDER TO BOARD

CONFIDENTIAL

mat'l code				tolerances unless otherwise specified		CUSTOMER	FCI		www.fciconnect.com	
lfr	ecr no.	dr	date	linear	.XX±.01/0.X±0.3	COPY	projection		title	
K				angles	.XXX±.005/0.XX±0.13		RIGHT ANGLE HEADER w/GUIDE PIN		POWER / SIGNAL	
				dr	.XXX±.0005/0.XXX±.051		INCH/MM		product family	POWERBLADE
				enrg	0°±2°		scale		size	dwg no
				chr	D. BOGLE 05-18-99		1:1		A	51722
				appd	J. BROWN 05-18-99					213
sheet index	revision sheet									2 of 3

1 | 2

Pro/E

3 |

cage code 22526

4

PDM: Rev:K

STATUS: Released

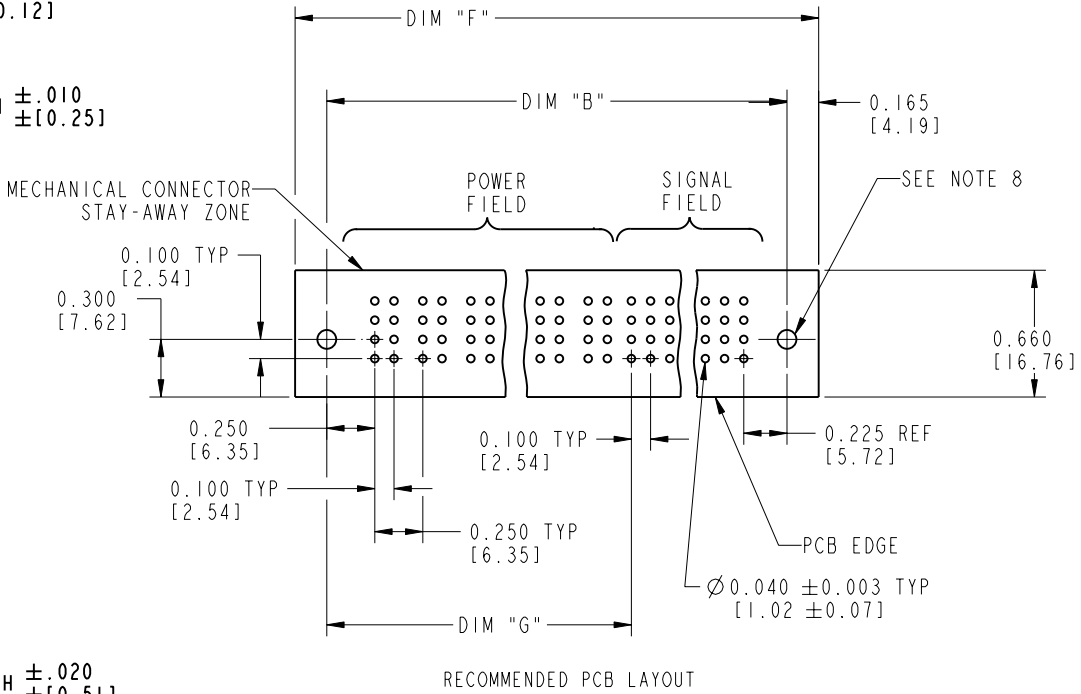
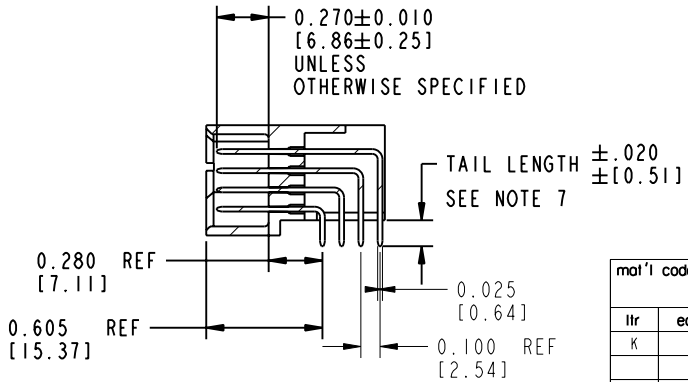
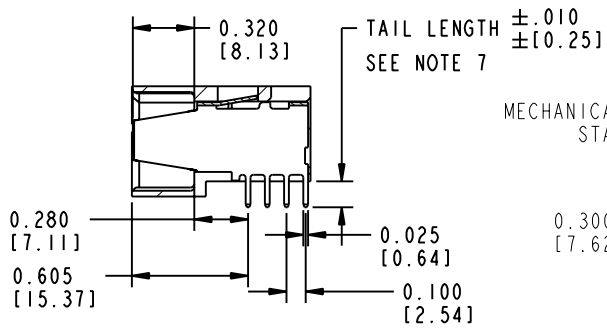
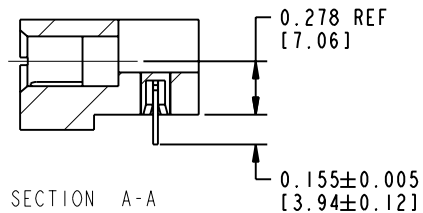
Printed: Oct 13, 2007

Tous droits strictement réservés. Reproduction ou communication a des tiers interdite sous quelque forme que ce soit sans autorisation écrite du propriétaire. Propriété de c FCI. Droits de reproduction FCI.



All rights strictly reserved. Reproduction or issue to third parties in any form whatever is not permitted without written authority from the proprietor. Property of FCI. Copyright FCI.

PRODUCT NUMBER  
51722-ABBCCC00EF\_\_  
Note ①



CONFIDENTIAL

mat'l code				tolerances unless otherwise specified		CUSTOMER		FCI		www.fciconnect.com	
ltr	ecr no.	dr	date	linear	.XX±.01 / .X±.3	COPY		projection		title	
K				angles	.XXX±.005 / .XX±.13	INCH/MM		RIGHT ANGLE HEADER w/GUIDE PIN POWER / SIGNAL		product family POWERBLADE	
				dr	.XXX±.0020 / .XXX±.051	scale		product family POWERBLADE		code	
				engr	0°±2°	1:1		size		213	
				chr	D. BOGLE 05-18-99			dwg no		3 of 3	
				appd	J. BROWN 08-20-98			51722			
					J. BROWN 05-18-99						
sheet index	revision sheet							cage code		22526	

Pro/E

cage code 22526