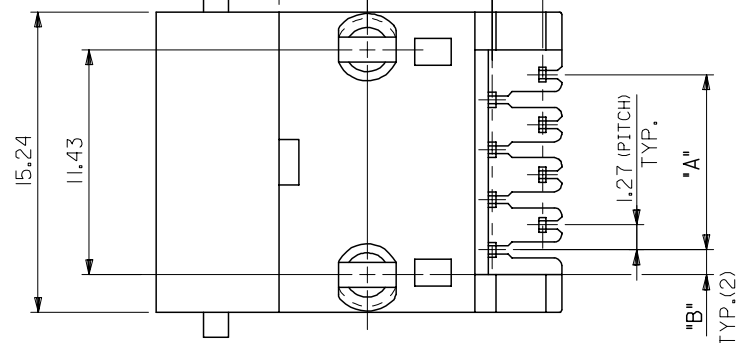
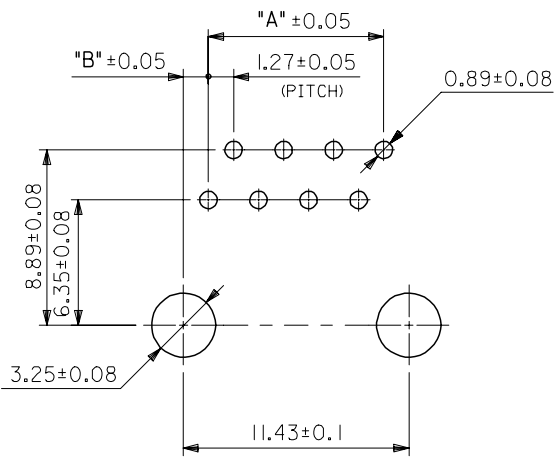
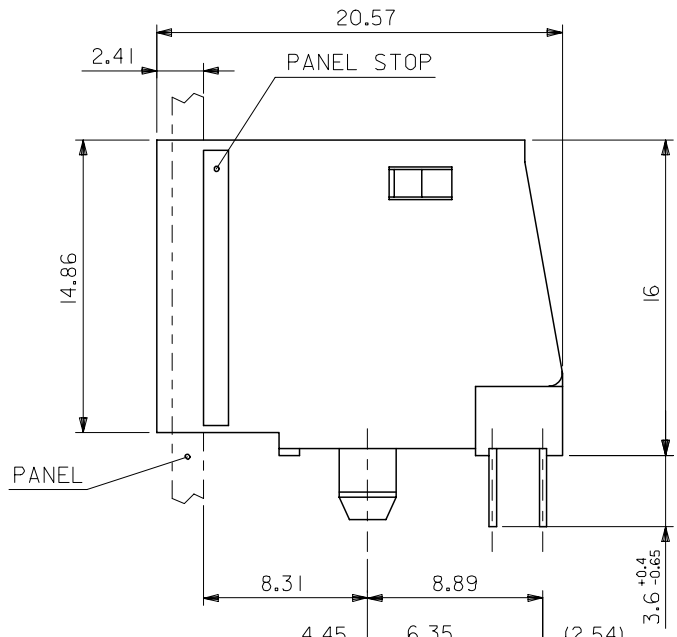
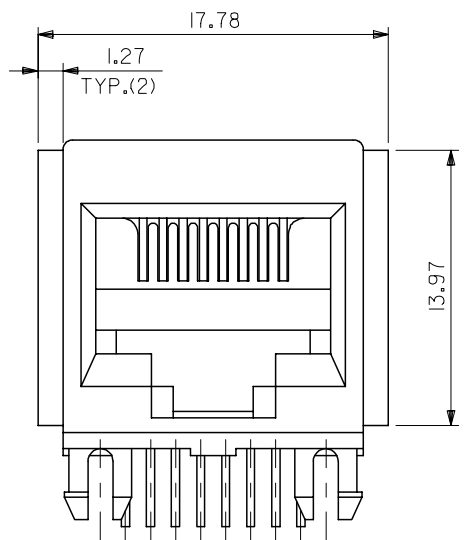
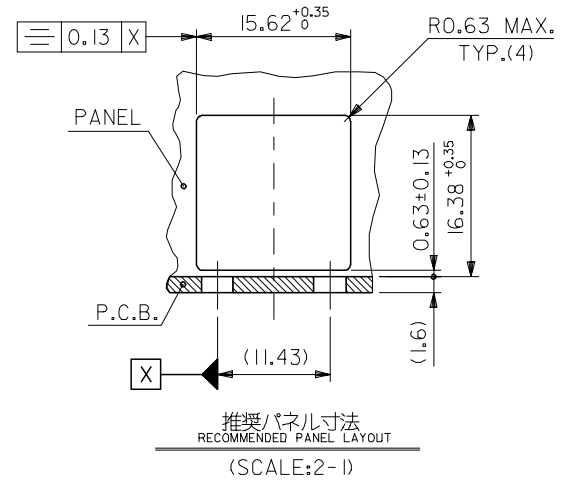


10 9 8 7 6 5 4 3 2 1



注)
NOTES:

- 材質
MATERIAL
ハウジング: ガラス入りポリエステル
HS'G : GLASS FILLED POLYESTER
黒色, UL94V-0
ターミナル: リン青銅
TERM. : PHOSPHOR BRONZE
- メッキ仕様
PLATING
接点部 : 金メッキ 1.27 μm MIN.
CONTACT AREA: GOLD 1.27 μm MIN.
半田付け部: 錫メッキ 2.54 μm MIN.
SOLDER AREA : TIN 2.54 μm MIN.
下地メッキ: ニッケルメッキ 1.27 μm MIN.
UNDERPLATE : NICKEL 1.27 μm MIN.
- 推奨基板厚: 1.6 ± 0.05
RECOMMENDED P.C.B. THICKNESS:

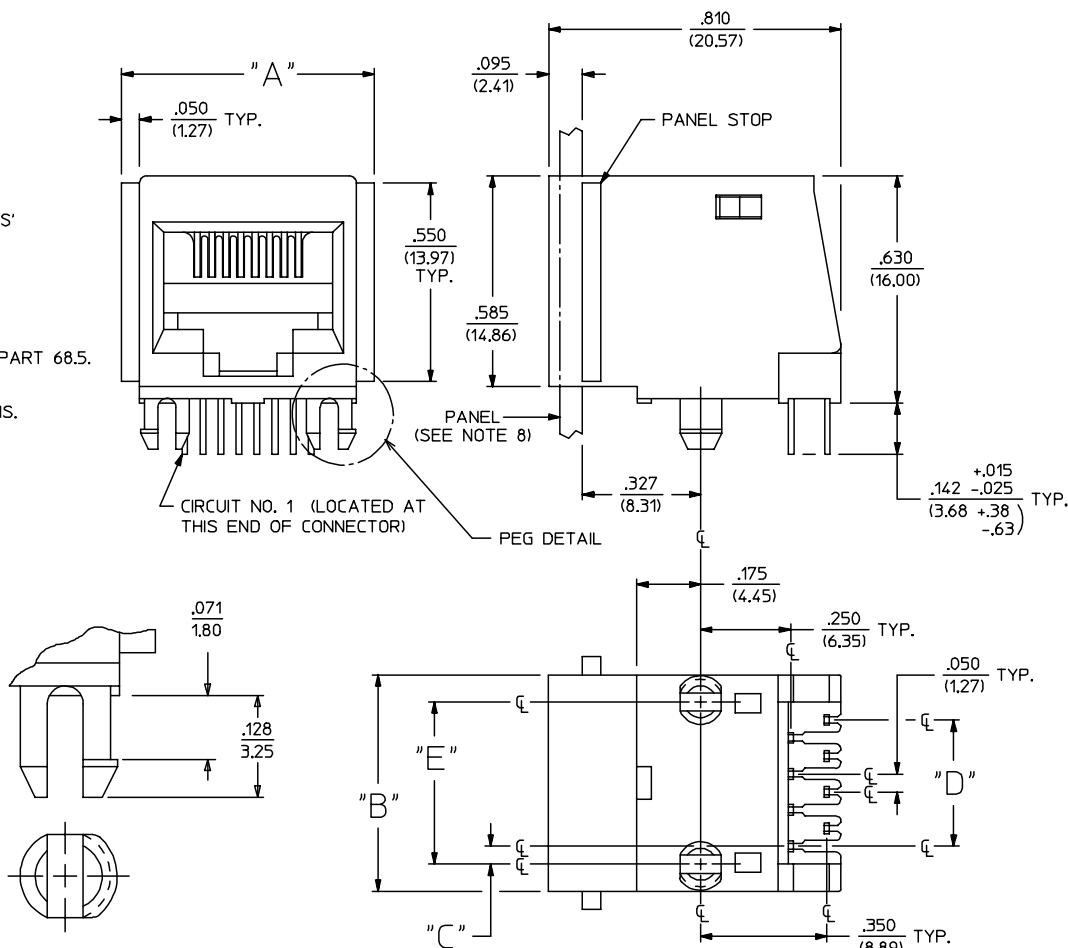


推奨基板穴寸法
RECOMMENDED P.C.B. LAYOUT
(ジャック取り付け側)
JACK ASS'Y SIDE

REVISED EC NO: J2005-0008 DRAWN: NABEI CHKD: KTOJO APP: NUKITA	GENERAL TOLERANCES (UNLESS SPECIFIED)		DIMENSION STYLE MM ONLY	SCALE 4:1	DESIGN UNITS METRIC	THIRD ANGLE PROJECTION
	10 UNDER	±0.2	DRAWN BY NMATSUUR	DATE '93/02/08	TITLE RIGHT ANGLE FLUSH MOUNT MODULAR JACK ASSY -LEAD FREE-	
	10 OVER 30 UNDER	±0.25	CHECKED BY AIKESUGI	DATE '93/02/08	MOLEX INCORPORATED	
	30 OVER	±0.3	APPROVED BY MSASAO	DATE '93/02/08	DOCUMENT NO. SD-41369-8*****	SHEET NO. 1 OF 1
A	ANGULAR	±3 °	MATERIAL NO. SEE CHART	THIS DRAWING CONTAINS INFORMATION THAT IS PROPRIETARY TO MOLEX INCORPORATED AND SHOULD NOT BE USED WITHOUT WRITTEN PERMISSION		
DRAFT WHERE APPLICABLE MUST REMAIN WITHIN DIMENSIONS						

NOTES:

- 1) MATERIALS:
HOUSING: GLASS FILLED POLYESTER, UL94 V-0, COLOR: BLACK
TERMINALS: PHOSPHOR BRONZE
- 2) FINISH:
TERMINALS:
(A) SELECT GOLD IN CONTACT AREA: 50 MICROINCHES MIN.,
*SELECT TIN IN PC TAIL AREA: 100 MICROINCHES MIN.,
WITH OVERALL NICKEL UNDERPLATE: 50 MICROINCHES MIN.
(B) SELECT GOLD IN CONTACT AREA: 30 MICROINCHES MIN.,
*SELECT TIN IN PC TAIL AREA: 100 MICROINCHES MIN.,
WITH OVERALL NICKEL UNDERPLATE: 50 MICROINCHES MIN.
(C) SELECT GOLD IN CONTACT AREA: 15 MICROINCHES MIN.,
*SELECT TIN IN PC TAIL AREA: 100 MICROINCHES MIN.,
WITH OVERALL NICKEL UNDERPLATE: 50 MICROINCHES MIN.
*THE PRIMARY SHIPPING CARTON WILL BE LABELED "COMPLIANT TO RoHS"
DIRECTIVE 2002/95/EC AND ELV ANNEX II OF DIRECTIVE 2000/53/EC".
CARTONS WITHOUT THIS LABEL MAY CONTAIN PRODUCT WITH TIN-LEAD
IN THE PC TAIL AREA.
- 3) ALL JACKS MUST MEET THE REQUIREMENTS OF MOLEX SPECIFICATION #PS-41314.
- 4) PACKAGING OPTIONS: TRAYS, TUBES, OR FILM/AMMO PACK.
- 5) JACKS CONFORM TO AND ACCEPT PLUGS WHICH CONFORM TO FCC REGULATIONS, PART 68.5.
- 6) JACKS ARE TO BE USED WITH .062/(1.57) THICK PRINTED CIRCUIT BOARDS.
- 7) SEE SHEET 3 FOR RECOMMENDED PANEL CUT-OUT AND BOARD LAYOUT DIMENSIONS.
- 8) PANEL TO BE LOCATED AGAINST MODULAR JACK FLANGE AS INDICATED.
- 9) ALL UNTOLERANCED DIMENSIONS ARE SHOWN FOR REFERENCE ONLY.



PEG DETAIL
SCALE: 8:1


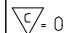

SIZE 8 MODULAR JACK HOUSING LOADED WITH 8 TERMINALS IS SHOWN ABOVE

LEAD FREE PLATING EC NO: UCP2004-1331 DRW:LSCHMDT 2004/02/23 CHKD:LSCHMDT 2004/02/23 APPR:FSMITH 2004/02/26	QUALITY SYMBOLS	GENERAL TOLERANCES (UNLESS SPECIFIED)	SCALE 4:1	DESIGN UNITS INCH	THIRD ANGLE PROJECTION	REVISE ON CAD ONLY
	DESCRIPTION DIMENSION STYLE DIMENSION STYLE IN/MM	4 PLACES ± --- ± --- 3 PLACES ± --- ± --- 2 PLACES ± --- ± --- 1 PLACE ± --- ± ---	DRAWN BY DATE GLT 1990/05/09 CHECKED BY DATE BAP 1990/05/09 APPROVED BY DATE RAS 1990/05/09	TITLE		
		RIGHT ANGLE FLUSH MOUNT MODULAR JACK ASSEMBLY				
		MOLEX INCORPORATED				
DRAFT WHERE APPLICABLE MUST REMAIN WITHIN DIMENSIONS	MATERIAL NO. DOCUMENT NO. SHEET NO. SEE SHEET 2 SDA-41369-***** 1 OF 3		THIS DRAWING CONTAINS INFORMATION THAT IS PROPRIETARY TO MOLEX INCORPORATED AND SHOULD NOT BE USED WITHOUT WRITTEN PERMISSION			

8	2	.700 (17.78)	.600 (15.24)	.200 (5.08)	.050 (1.27)	.450 (11.43)
8	4	.700 (17.78)	.600 (15.24)	.150 (3.81)	.150 (3.81)	.450 (11.43)
8	6	.700 (17.78)	.600 (15.24)	.100 (2.54)	.250 (6.35)	.450 (11.43)
8	8	.700 (17.78)	.600 (15.24)	.050 (1.27)	.350 (8.89)	.450 (11.43)
6	2	.620 (15.75)	.520 (13.21)	.175 (4.45)	.050 (1.27)	.400 (10.16)
6	4	.620 (15.75)	.520 (13.21)	.125 (3.18)	.150 (3.81)	.400 (10.16)
6	6	.620 (15.75)	.520 (13.21)	.075 (1.91)	.250 (6.35)	.400 (10.16)
4	2	.540 (13.72)	.440 (11.18)	.125 (3.18)	.050 (1.27)	.300 (7.62)
4	4	.540 (13.72)	.440 (11.18)	.075 (1.91)	.150 (3.81)	.300 (7.62)

HOUSING SIZE	CIRCUIT SIZE	DIM. "A"	DIM. "B"	DIM. "C"	DIM. "D"	DIM. "E"
--------------	--------------	----------	----------	----------	----------	----------

	13	12	11	10	9	8	7	6	5	4	3	2	1	
	ENGINEERING PART NUMBER	E.D.P. NUMBER	HOUSING SIZE	CIRCUIT SIZE	PLATING OPTION	PACKAGING OPTION								41369
J	A-41369-44AAAA	015-43-7044	4	4	(A)	AMMO PACK								
	A-41369-44ABAA	015-43-7544	4	4	(A)	TRAY PACK								
	A-41369-44CBAA	015-43-7541	4	4	(C)	TRAY PACK								
	A-41369-42AAAA	015-43-7040	4	2	(A)	AMMO PACK								
	A-41369-42ABAA	015-43-7540	4	2	(A)	TRAY PACK								
I	A-41369-66AAAA	015-43-7066	6	6	(A)	AMMO PACK								
	A-41369-66ABAA	015-43-7566	6	6	(A)	TRAY PACK								
	A-41369-66BBAA	015-43-7567	6	6	(B)	TRAY PACK								
	A-41369-64AAAA	015-43-7064	6	4	(A)	AMMO PACK								
	A-41369-64ABAA	015-43-7564	6	4	(A)	TRAY PACK								
	A-41369-64BBAA	015-43-7565	6	4	(B)	TRAY PACK								
	A-41369-62AAAA	015-43-7063	6	2	(A)	AMMO PACK								
	A-41369-62ABAA	015-43-7563	6	2	(A)	TRAY PACK								
	A-41369-88AAAA	015-43-7088	8	8	(A)	AMMO PACK								
H	A-41369-88CAAA	015-43-7083	8	8	(C)	AMMO PACK								
	A-41369-88ABAA	015-43-7588	8	8	(A)	TRAY PACK								
	A-41369-86AAAA	015-43-7086	8	6	(A)	AMMO PACK								
	A-41369-86ABAA	015-43-7586	8	6	(A)	TRAY PACK								
	A-41369-84AAAA	015-43-7084	8	4	(A)	AMMO PACK								
	A-41369-84ABAA	015-43-7584	8	4	(A)	TRAY PACK								
	A-41369-82ABAA	015-43-7580	8	2	(A)	TRAY PACK								
G	A-41369-44ACAA	015-43-7546	4	4	(A)	TUBES								
	A-41369-64ACAA	015-43-7570	6	4	(A)	TUBES								
	A-41369-62ACAA	015-43-7571	6	2	(A)	TUBES								

SEE SHEET ONE EC NO: UCP2004-1331 DRAWN:LSCHMIDT 2004/02/23 CHKD:LSCHMIDT 2004/02/23 APPR:FSMITH 2004/02/26	QUALITY SYMBOLS	GENERAL TOLERANCES (UNLESS SPECIFIED)	SCALE ---	DESIGN UNITS INCH	THIRD ANGLE PROJECTION	REVISE ON CAD ONLY	
	 = 0  = 0	mm	INCH	DIMENSION STYLE IN/MM		TITLE RIGHT ANGLE FLUSH MOUNT MODULAR JACK ASSEMBLY	
		4 PLACES ± --- ± ---	3 PLACES ± --- ± ---	DRAWN BY GLT	DATE 1990/05/09	 MOLEX INCORPORATED	
		2 PLACES ± --- ± ---	1 PLACE ± --- ± ---	CHECKED BY BAP	DATE 1990/05/09		
	ANGULAR ±1/2°	DRAFT WHERE APPLICABLE MUST REMAIN WITHIN DIMENSIONS	APPROVED BY RAS	DATE 1990/05/09	MATERIAL NO. SEE CHART	DOCUMENT NO. SDA-41369-*****	
			THIS DRAWING CONTAINS INFORMATION THAT IS PROPRIETARY TO MOLEX INCORPORATED AND SHOULD NOT BE USED WITHOUT WRITTEN PERMISSION		SHEET NO. 2 OF 3		

J

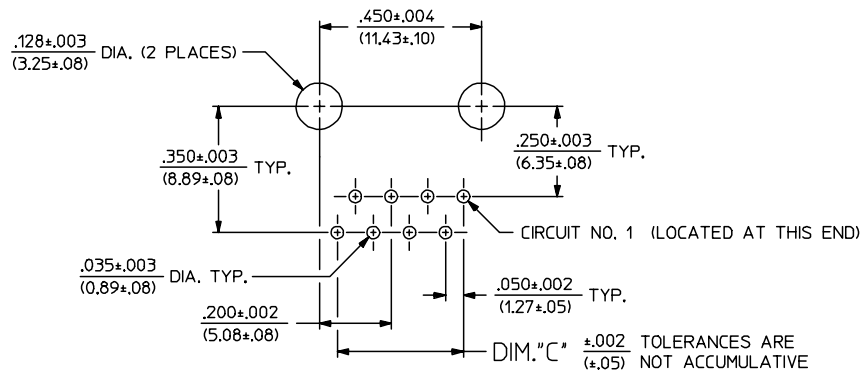
I

H

J

I

H



PC BOARD LAYOUT FOR HOUSING SIZE 8

ENGINEERING PART NUMBER	HOUSING SIZE	CIRCUIT SIZE	DIM. "A"	DIM. "B"	DIM. "C"
A-41369-44XXXX	4	4	.455/(11.56)	.300/(7.62)	.150/(3.81)
A-41369-42XXXX	4	2	.455/(11.56)	.300/(7.62)	.050/(1.27)
A-41369-66XXXX	6	6	.535/(13.59)	.400/(10.16)	.250/(6.35)
A-41369-64XXXX	6	4	.535/(13.59)	.400/(10.16)	.150/(3.81)
A-41369-62XXXX	6	2	.535/(13.59)	.400/(10.16)	.050/(1.27)
A-41369-88XXXX	8	8	.615/(15.62)	.450/(11.43)	.350/(8.89)
A-41369-86XXXX	8	6	.615/(15.62)	.450/(11.43)	.250/(6.35)
A-41369-84XXXX	8	4	.615/(15.62)	.450/(11.43)	.150/(3.81)
A-41369-82XXXX	8	2	.615/(15.62)	.450/(11.43)	.050/(1.27)

NOTE: ALL RECOMMENDED BOARD LAYOUTS ARE SHOWN AS COMPONENT SIDE OF BOARD

G

F

E

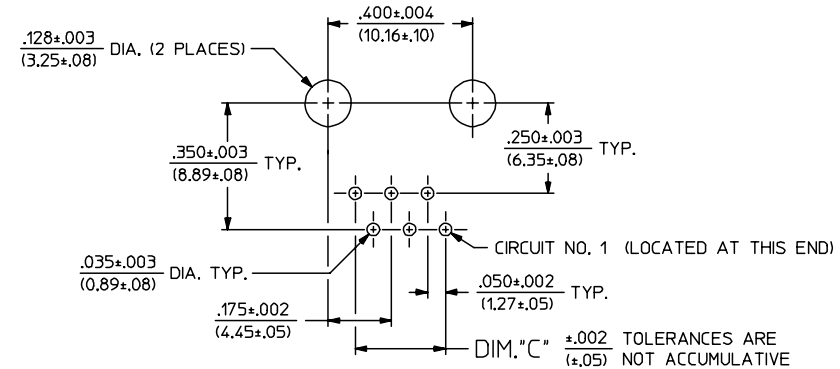
D

G

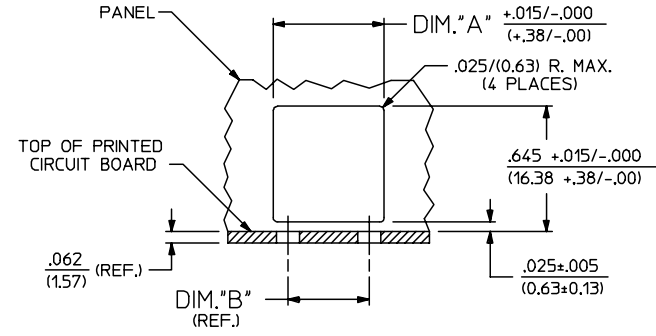
F

E

D



PC BOARD LAYOUT FOR HOUSING SIZE 6



PANEL CUT-OUT GUIDELINES

DIM. "A" MUST BE SYMMETRICAL TO DIM. "B" WITHIN .005/(0.13)

C

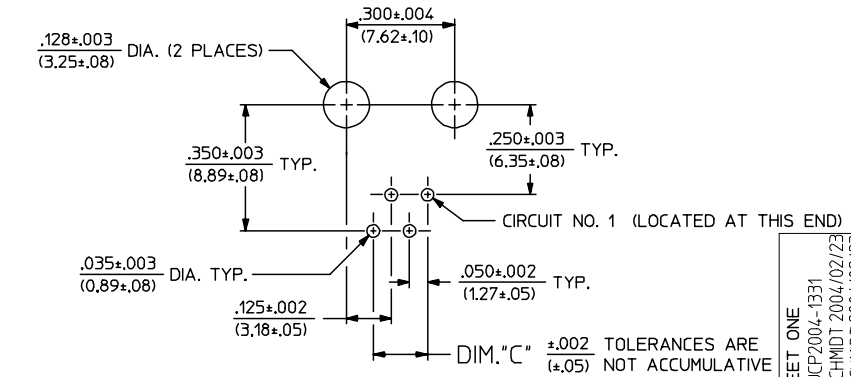
B

A

C

B

A



PC BOARD LAYOUT FOR HOUSING SIZE 4

SEE SHEET ONE
 EC NO: UCP2004-1331
 DRWN:LSCHMIDT 2004/02/23
 CHKD:LSCHMIDT 2004/02/23
 APPR:FSMITH 2004/02/26
 REV DESCRIPTION

QUALITY SYMBOLS	GENERAL TOLERANCES (UNLESS SPECIFIED)	SCALE 4:1	DESIGN UNITS INCH	THIRD ANGLE PROJECTION	REVISE ON CAD ONLY																	
	<table border="1"> <thead> <tr> <th></th> <th>mm</th> <th>INCH</th> </tr> </thead> <tbody> <tr> <td>4 PLACES</td> <td>± ---</td> <td>± ---</td> </tr> <tr> <td>3 PLACES</td> <td>± ---</td> <td>± ---</td> </tr> <tr> <td>2 PLACES</td> <td>± ---</td> <td>± ---</td> </tr> <tr> <td>1 PLACE</td> <td>± ---</td> <td>± ---</td> </tr> <tr> <td colspan="3">ANGULAR ±1/2°</td> </tr> </tbody> </table>		mm	INCH	4 PLACES	± ---	± ---	3 PLACES	± ---	± ---	2 PLACES	± ---	± ---	1 PLACE	± ---	± ---	ANGULAR ±1/2°			DIMENSION STYLE IN/MM	TITLE	
	mm	INCH																				
4 PLACES	± ---	± ---																				
3 PLACES	± ---	± ---																				
2 PLACES	± ---	± ---																				
1 PLACE	± ---	± ---																				
ANGULAR ±1/2°																						
▽ = 0	DRAFT WHERE APPLICABLE MUST REMAIN WITHIN DIMENSIONS	DRAWN BY GLT	DATE 1990/05/09	PANEL/BOARD LAYOUTS FOR RIGHT ANGLE FLUSH MOUNT MODULAR JACK ASSEMBLIES																		
▽ = 0		CHECKED BY BAP	DATE 1990/05/09	MOLEX MOLEX INCORPORATED																		
		APPROVED BY RAS	DATE 1990/05/09	MATERIAL NO. SEE SHEET 2	DOCUMENT NO. SDA-41369-*****																	
		THIS DRAWING CONTAINS INFORMATION THAT IS PROPRIETARY TO MOLEX INCORPORATED AND SHOULD NOT BE USED WITHOUT WRITTEN PERMISSION		SHEET NO. 3 OF 3																		