

# Headlamp connectors

DCS-1

## Headlamp interface connector system for 2.8 mm terminals

### Features

- 6 and 7 position housings available
- Triple row 5 x 5 mm staggered pitch
- Waterproof application with single wire seal
- Circumferential interface seal on female housing
- O-ring seal on male housing
- Additional terminal locking device pre-assembled on front part of the housing
- Plastic locking feature
- Mechanical polarization
- Several colour available



Part Numbers	No. of position	Terminal size	Type	Colour
6 042 13 01	6	2.8 mm	Female housing	Black
6 052 00 01	6	2.8 mm	Male housing	Black
6 052 00 11	6	2.8 mm	Male housing	Black
6 052 00 14	6	2.8 mm	Male housing	Yellow
6 042 13 08	7	2.8 mm	Female housing	Grey
6 052 00 07	7	2.8 mm	Male housing	Green
6 052 00 16	7	2.8 mm	Male housing	White
6 052 00 17	7	2.8 mm	Male housing	Green

### Performance characteristics

- Temperature range :  
from -40°C to +120°C
- Contact retention force : > 80 N
- Contact insertion force : < 20 N
- Sealing protection : IP 67
- Acceptable wire range : < 1.5 mm<sup>2</sup>  
from 0.35 to 1.5 mm<sup>2</sup>
- Housing locking strength : < 100 N

### Construction

- Housing material : PBT
- Interfacial seal : Silicone

### Tooling

- Front device removal tool : 65900000
- Terminal removal tool : 65900100

### Connector compatibility

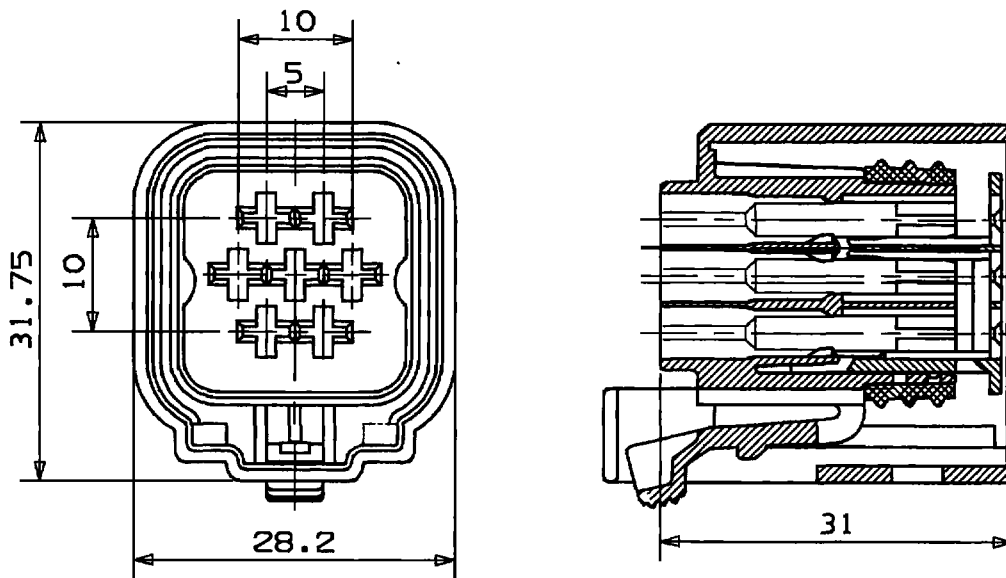
- Usable terminals :
  - DCS-1 2.8 mm female terminals (standard version)
  - DCS-1 2.8 mm female terminals (power version)
  - DCS-1 2.8 mm male terminals

# Headlamp connectors

DCS-1

## Dimensional characteristics

### Female housing



### Male housing

