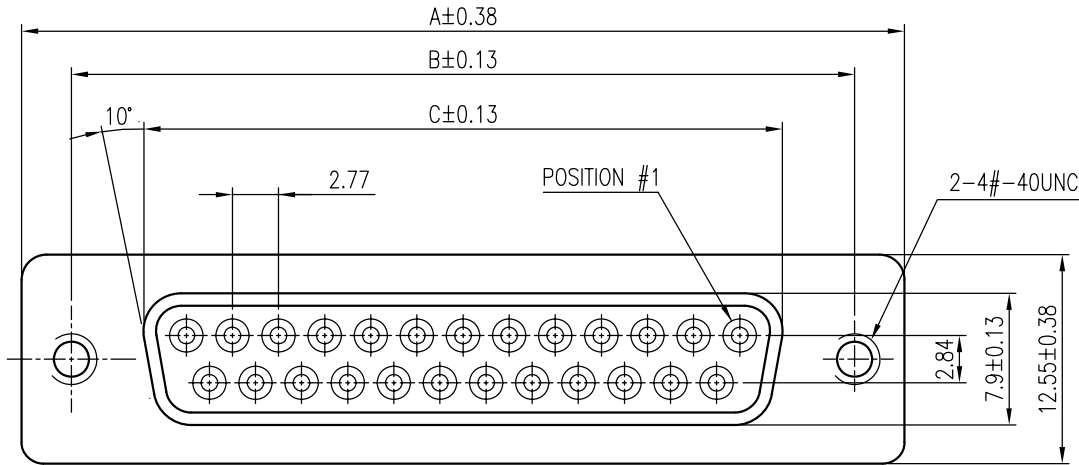


This document is the property of Amphenol Corporation and is delivered on the express condition that it is not to be disclosed, reproduced or used, in whole or in part, for manufacture or sale by anyone other than Amphenol Corporation without its prior consent, and that no right is granted to disclose or to use any information in this document.

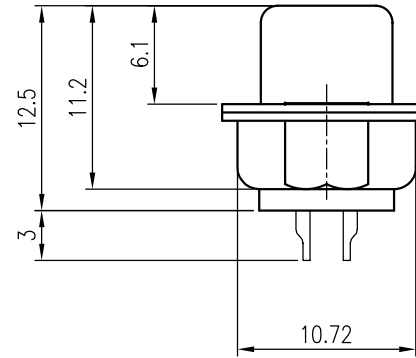
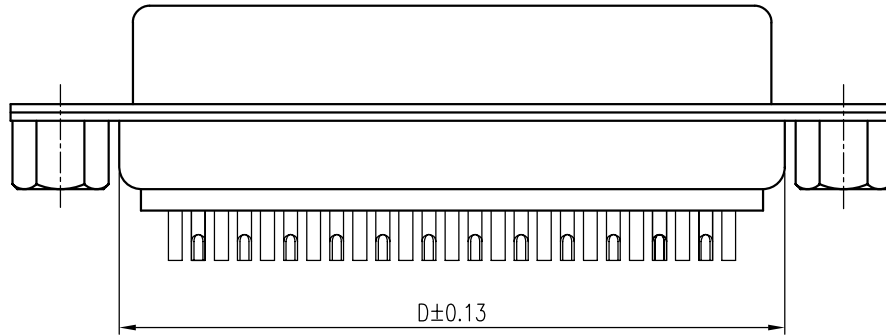
CUSTOMER DRAWING ORIGINAL

| REVISIONS | | | | |
|-----------|---------|------------------|------------|----------|
| SYM | ECN No. | DESCRIPTION | DATE | APPROVED |
| A | | RELEASE FOR RoHS | 09/09/2005 | Henry Ko |



NOTES:

- FRONT & REAR SHELL FINISH: SELECTIVE PLATED
- CONTACTS FINISH: SELECTIVE GOLD PLATED
- INSULATOR: PBT, GLASS FIBER FILLED, UL 94V-0, COLOR- BLACK
- THIS PRODUCT DOESN'T CONTAIN ENVIRONMENTAL HAZARDOUS MATERIALS PER DIRECTIVE 2002/95/EC FOR RoHS.



| TOLERANCE m/m | |
|---------------|-------|
| x. | ±0.30 |
| x.x | ±0.25 |
| x.xx | ±0.15 |
| x.xxx | ±0.08 |
| ANGULAR | ±2° |

UNLESS OTHERWISE SPECIFIED

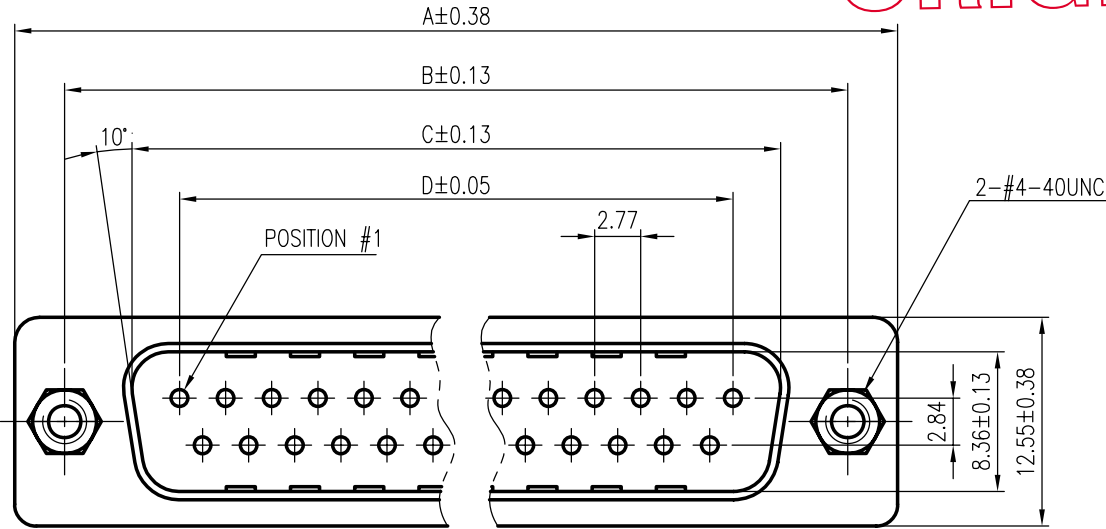
| PART NUMBERS | NO. OF CONTACTS | DIM. A | DIM. B | DIM. C | DIM. D | APPROVALS | | DATE | TITLE | Amphenol® Amphenol Corporation Amphenol East Asia Limited | | | |
|------------------|-----------------|--------|--------|--------|--------|-------------|----------|----------|--|--|----------------------|--------------|------------------|
| | | | | | | DRAWN | CHECKED | | | | | | |
| G17S 090X XX1 EU | 9 | 30.84 | 24.99 | 16.24 | 19.28 | Sondra Sang | Laura Su | 09/09/05 | G17S SERIES SOLDER-POT TERMINATION RECEPTACLE | SCALE | N.A. | SHEET 1 OF 1 | |
| G17S 150X XX1 EU | 15 | 39.24 | 33.32 | 24.56 | 27.51 | Alex Lin | | 09/09/05 | | DRAWING NO. | DSUB-G17SXX0XX1EU-25 | REV. | A |
| G17S 250X XX1 EU | 25 | 53.04 | 47.04 | 38.38 | 41.30 | | | 09/09/05 | | SIZE | A4 | PART NO. | G17S XX0X XX1 EU |
| G17S 370X XX1 EU | 37 | 69.32 | 63.50 | 54.76 | 57.71 | | | | UNIT | MM | | | |

This document is the property of Amphenol Corporation and is delivered on the express condition that it is not to be disclosed, reproduced or used, in whole or in part, for manufacture or sale by anyone other than Amphenol Corporation without its prior consent, and that no right is granted to disclose or to use any information in this document.

CUSTOMER DRAWING

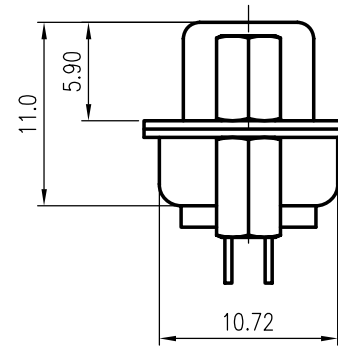
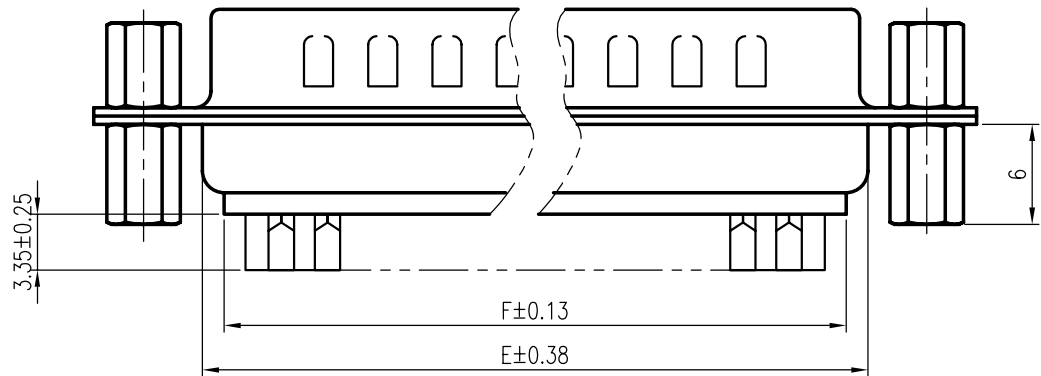
ORIGINAL

| REVISIONS | | | | |
|-----------|---------|------------------|------------|----------|
| SYM | ECN No. | DESCRIPTION | DATE | APPROVED |
| A | | RELEASE FOR RoHS | 09/09/2005 | Henry Ko |



NOTES:

1. INSULATOR: PBT, UL 94V-0, BLACK COLOR
2. CONTACT: BRASS, SELECTIVE GOLD PLATED
3. SHIELDED FINISH: TIN PLATED OR ZINC CHORMATED
4. THIS PRODUCT DOESN'T CONTAIN ENVIRONMENTAL HAZARDOUS MATERIALS PER DIRECTIVE 2002/95/EC FOR RoHS.



| P/N | NO. OF CONTACTS | A | B | C | D | E | F | TOLERANCE m/m | APPROVALS | | DATE | TITLE | Amphenol® Amphenol Corporation Amphenol Taiwan Corporation | | | | | |
|------------------|-----------------|-------|-------|-------|-------|-------|-------|----------------------------|-------------|---------|----------|--|---|-----------------------|-------|---|----|---|
| | | | | | | | | | DRAWN | CHECKED | APPROVED | | | | | | | |
| G17S 091X XX2 EU | 9 | 30.81 | 24.99 | 16.92 | 11.09 | 19.20 | 15.75 | x. ±0.30 | Sondra Sang | | 09/09/05 | G17S SERIES SOLDER-POT TERMINATION PLUG | SCALE | N.A. | SHEET | 1 | OF | 1 |
| G17S 151X XX2 EU | 15 | 39.14 | 33.32 | 25.25 | 19.39 | 27.70 | 24.45 | x.x ±0.25 | Laura Su | | 09/09/05 | | REV. | A | | | | |
| G17S 251X XX2 EU | 25 | 53.04 | 47.04 | 38.96 | 33.24 | 41.10 | 38.00 | x.xx ±0.15 | Alex Lin | | 09/09/05 | | SIZE | A3 | | | | |
| G17S 371X XX2 EU | 37 | 69.32 | 63.50 | 55.42 | 49.86 | 57.30 | 53.96 | x.xxx ±0.08 | | | | | PART NO. | G17S XX1X XX2 EU | | | | |
| | | | | | | | | ANGULAR ±2° | | | | | DRAWING NO. | DSUB-G17SXX1XXX2EU-25 | | | | |
| | | | | | | | | UNLESS OTHERWISE SPECIFIED | | UNIT | MM | | | | | | | |

PART NUMBER SYSTEM

PNS-17S

Rev. C

ORIGINAL

G17S XX XX XXX X

D-subminiature Solder-pot Termination

Number of Position

- 09: 09 positions
- 15: 15 positions
- 25: 25 positions
- 37: 37 positions
- 50: 50 positions
- :

Contact Style

- 0: Receptacle
- 1: Plug

Contact Finish

- 0: Flash gold
- 1: 15μ" gold
- 2: 30μ" gold
- 3: Full flash gold
- 4: 50μ" gold

Front Shell Finish

- 0: Zinc chromated
- 1: Tin over nickel
- 2: Nickel

Variation Code

Blank: Standard

Flange Mounting Option

- 0: φ3.05mm clear hole
- 1: #4-40 threaded hole
- 2: #4-40 threaded hole with #4-40UNC screwlock installed
- 3: #4-40 threaded hole with #4-40UNC screwlock bulk-packed
- 4: M3 threaded hole
- 5: M3 threaded hole with M3 screwlock installed
- 6: #4-40 threaded hole with M2.6 screwlock bulk-packed
- 7: #4-40 threaded screwlock clinched-mount installed

Back Shell Finish

- 0: Zinc chromated
- 1: Tin over nickel
- 2: Nickel



- ! All contacts are in 50μ" nickel underplate
- ! All specified numbers are minimum thickness of plating.
- ! The variation code may supersede some major specifications defined by this standard part number system
- ! For part number with a variation code. Please refer to the specific set of data sheets released for that

| | | | | | | | |
|-------------|----------|--------------|------------|--|--|-----------------------|--|
| | | | | TITLE | | PRODUCT SERIES | |
| | | | | G17S SERIES, PART NUMBER | | G17S | |
| C | NE-05266 | Henry Ko | 08/30/2005 | This document is the property of Amphenol Corporation and is delivered on the express condition that it is not to be disclosed, reproduced or used, in whole or in part, for manufacture or sale by anyone other than Amphenol Corporation without its prior consent, and that no right is granted to disclose or to use any information in this document. | | | |
| B | NE-97252 | Arthur Huang | 11/26/1997 | | | | |
| A | | Arthur Huang | 09/24/1997 | | | | |
| SYM | ECO NO. | APPROVED | DATE | | | | |
| PREPARED | | DATE | | CHECKED | | DATE | |
| Sondra sang | | 08/30/2005 | | Laura Su | | 08/30/2005 | |
| | | | | APPROVED | | DATE | |
| | | | | Ken Lin for | | 08/30/2005 | |