

SWITCH - TOGGLE

2TL6 SERIES CHART 1

CATALOG LISTING

THIS DRAWING COVERS A PROPRIETARY ITEM AND IS THE PROPERTY OF MICRO SWITCH. A DIVISION OF HONEYWELL. THIS DRAWING IS NOT TO BE COPIED OR USED WITHOUT THE APPROVAL OF MICRO SWITCH

CATALOG LISTING 2TL6 SERIES CHART 1

PAGE 1 OF 1

REVISIONS
A CO-94438
S A V
23 NOV 99
B 0003037
TSG
05 FEB 04

CHECK

MAY 05 FEB 04

CHECK

NOV 23 NOV 99

CHECK

JAF

CHECK

NOV 23 NOV 99

DRAWN

PTC/CAD 2D

REPLACES
RELEASE NO. CO-32835

CHECK

MAY 05 FEB 04

CHECK

NOV 23 NOV 99

CHECK

JAF

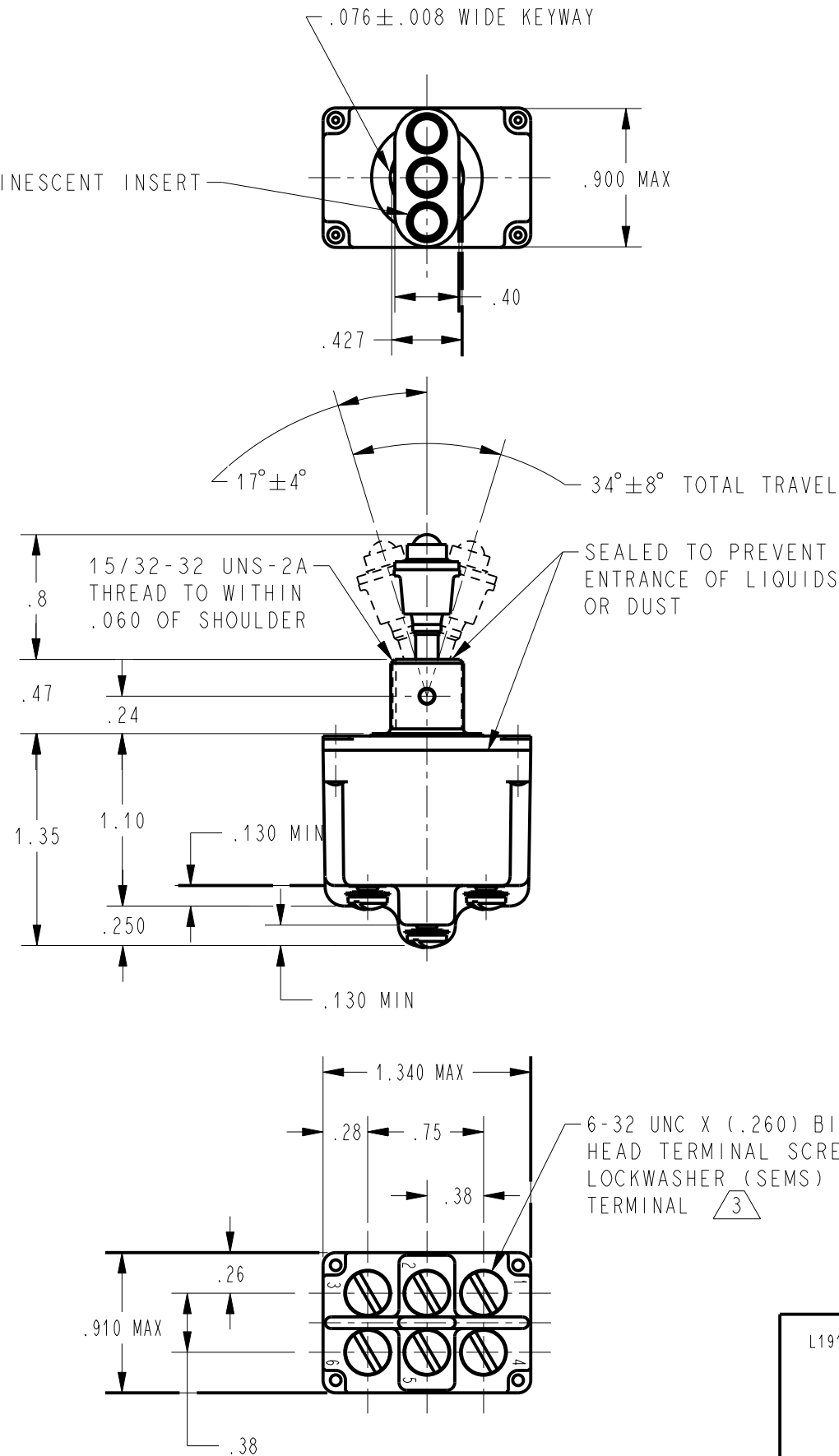
CHECK

NOV 23 NOV 99

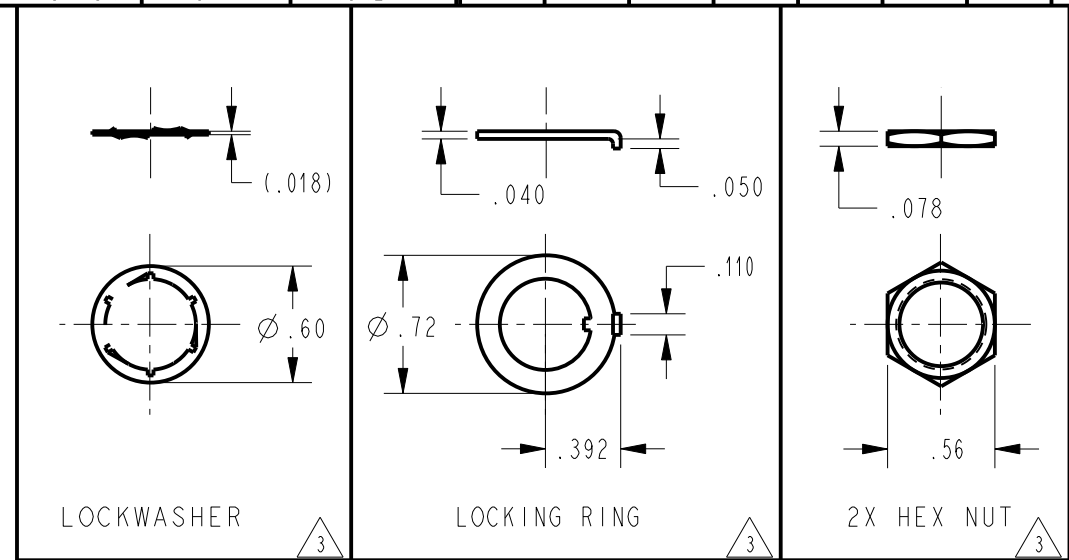
DRAWN

PTC/CAD 2D

3X WHITE NON-LUMINESCENT INSERT



CATALOG LISTING	CIRCUIT MADE WITH TOGGLE LEVER IN			MILITARY RATING (AMPS)								
	KEYWAY SIDE (1-2,4-5)	CENTER (1-2,4-5)	OPPOSITE KEYWAY (2-3,5-6)	RESISTIVE LOAD DC VOLTS			LAMP LOAD		INDUCTIVE LOAD			
				28	125	250	28 VDC	125 VAC	28 VDC	125 VAC		
2TL6-1	ON	OFF	ON									
2TL6-2	OFF	NONE	ON									
2TL6-3	ON	NONE	ON									
2TL6-21	NONE	OFF	ON									
2TL6-31	NONE	ON	ON									
2TL6-4	MOM OFF	NONE	ON									
2TL6-5	MOM ON	OFF	ON									
2TL6-6	MOM ON	NONE	OFF									
2TL6-7	MOM ON	OFF	MOM ON									
2TL6-8	MOM ON	NONE	ON									
2TL6-51	NONE	ON	MOM ON									
2TL6-61	MOM ON	OFF	NONE									



- NOTES
- SWITCHES ARE CAPABLE OF WITHSTANDING A TEMPERATURE OF 160°F CONTINUOUSLY AT FULL RATED LOAD
 - CIRCUIT DESIGNATION AND MICRO SWITCH CATALOG LISTING MARKED ON SIDE OF SWITCH
 - FURNISHED UNASSEMBLED
 - FOR TERMINAL COVER SEE MICRO SWITCH CATALOG LISTING 5PA8
 - APPLIES ONLY TO "ON" AND "MOMENTARY ON" POSITIONS
 - WHITE NON-FLUORESCENT CAP IS ATTACHED TO LEVER BY A LOCKING TYPE INTERNAL THREAD. LEVER CAP MAY BE REMOVED TO INSTALL SWITCH

ELECTRICAL DATA

L191 15A 125, 250, 277 VAC 1/2HP 125 VAC 1HP 250, 277 VAC 5A 125 VAC "L"	L192 10A 125, 250, 277 VAC 1/4HP 125 VAC 1/2HP 250, 277 VAC 3A 125 VAC "L"
---	---

THIRD ANGLE PROJECTION	
SCALE	FULL
DO NOT SCALE PRINT	
UNLESS OTHERWISE SPECIFIED TOLERANCES ARE	
ONE PLACE	(.0) ± .030
TWO PLACE	(.00) ± .015
THREE PLACE	(.000) ± .005
ANGLES	±
WEIGHT	.12 LB APPROX