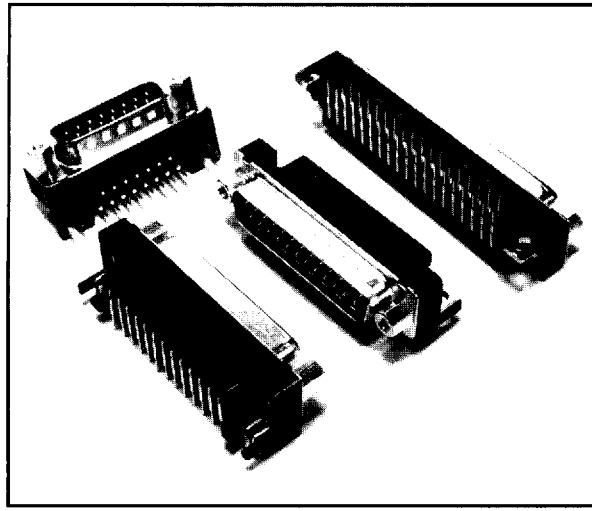


D*LC SUBMINIATURE CONNECTORS

PCB Through Hole Type



FEATURES

- Right angle through hole type
- One-piece plastic molded body
- Screw lock assemblies
- EMI shielding with Nickel plated metal shell and grounding dimples for pin side



D*LC Subminiature connectors are low cost, right angle connectors for PCB applications. The insulator and board mounting bracket are combined in a light, monoblock molding. The front shell is nickel-plated for EMI shielding. Screw lock assemblies are provided on both sides of the flange to ensure mating of the connectors.

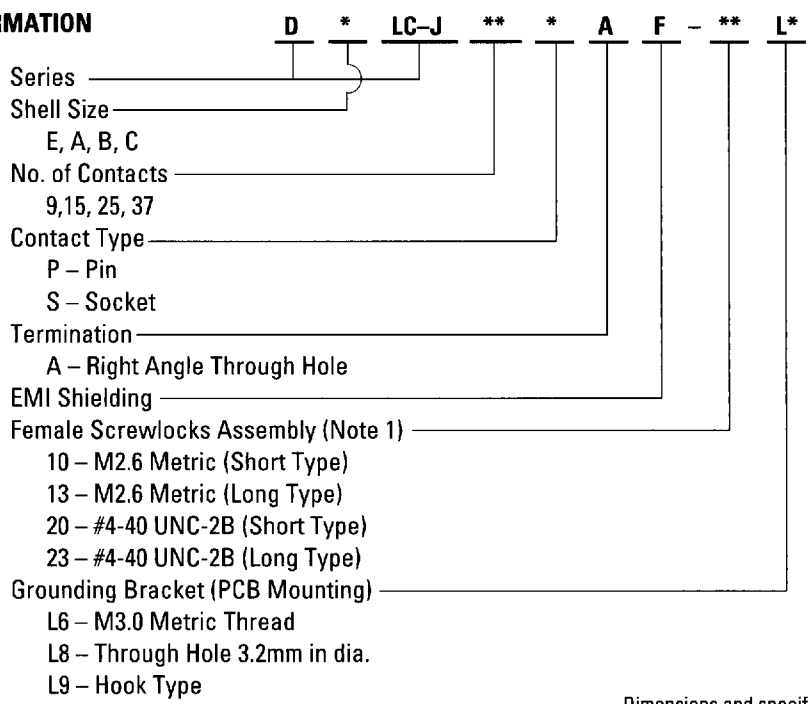
GENERAL SPECIFICATIONS

| | |
|---------------------------------|-----------------------------|
| Number of Contacts | 9, 15, 25, 37 |
| Current Rating | 5 Amps |
| Dielectric Withstanding Voltage | 1250 VAC (for one minute) |
| Insulation Resistance | 5000 megohms min. |
| Contact Resistance | 13 milliohms max. (initial) |
| Operating Temperature | -55°C to +105°C |

MATERIALS AND FINISHES

| Description | Materials/Finishes |
|--------------------------|---|
| Contacts | Copper Alloy Connecting Area: Gold plating, over Nickel Termination Area: Tin plating |
| Insulator | Glass-filled PBT, UL94V-0 Color: Black |
| Shell | Steel/Nickel plate |
| L-shaped Grounding Lug | Steel/Nickel Plate |
| Hook-style Grounding Lug | Phosphor Bronze/Tin Plate |
| Female Screwlock | Steel/Nickel Plate |

ORDERING INFORMATION



Note 1: Long and short female screwlock assemblies available. The short screwlock assemblies can be used to backmount connectors on 0.8 to 1.0mm (.031" to .039") thick panels.

Dimensions and specifications subject to change without notice.

Hong Kong
Tel: 852-2723-7782
Fax: 852-2723-9028

Japan
03-3780-2715
03-3780-2883

Singapore
65-748-1332
65-748-2920

Taiwan
02-555-9711
02-556-5424

United Kingdom
1276-21717
1276-66165

United States
714-753-2600
714-753-2699

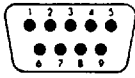


D*LC SUBMINIATURE CONNECTORS

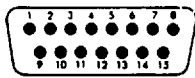
PCB Through Hole Type

CONTACT ARRANGEMENTS

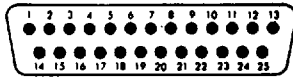
(Face view of Pin Insert)



| Shell Size | No. of Contacts |
|------------|-----------------|
| E | 9 |



| Shell Size | No. of Contacts |
|------------|-----------------|
| A | 15 |

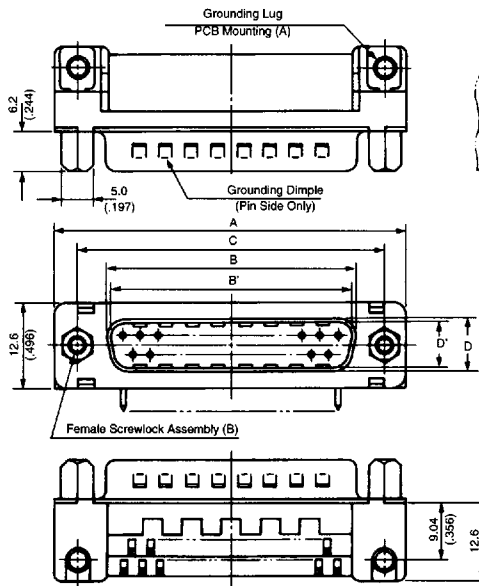


| Shell Size | No. of Contacts |
|------------|-----------------|
| B | 25 |

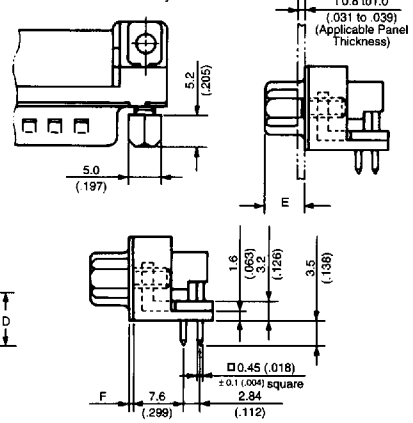


| Shell Size | No. of Contacts |
|------------|-----------------|
| C | 37 |

L6 GROUNDING LUG TYPE Description: D*LC-J**AF-**L6
L8 GROUNDING LUG TYPE Description: D*LC-J**AF-**L8



For Short Female Screwlock Assembly

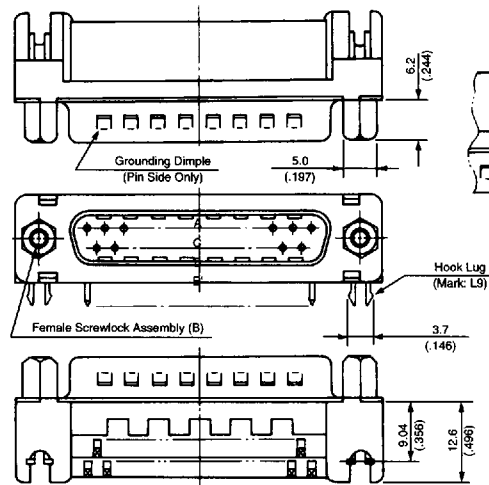


Shape of Grounding Lug PCB Mounting (A)

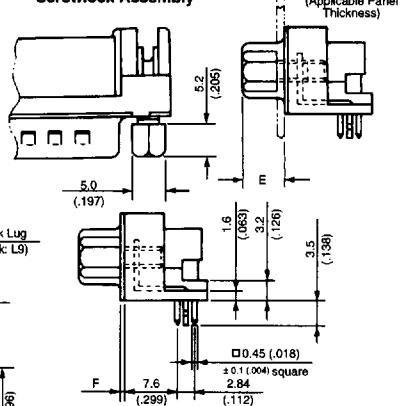
| | |
|----|---------------|
| L6 | M3.0mm Metric |
| L8 | ø3.2mm Hole |

Note: D*LC - J**AF -13L6 shown above

L9 HOOK LUG TYPE Description: D*LC-J**AF-**L9



For Short Female Screwlock Assembly



Note: D*LC - J**AF -13L9 shown above

FEMALE SCREWLOCK ASSEMBLY (B)

| Screwlock Code | 10 | 13 | 20 | 23 |
|-------------------------|-------------|-------------|--------------|--------------|
| Style | Short | Long | Short | Long |
| Screwlock Specification | M2.6 Metric | M2.6 Metric | #4-40 UNC-2B | #4-40 UNC-2B |

| No. of Contacts | Part Number | | A ±1 (±.039) | B ±0.25 (±.010) | B' ±0.25 (±.010) | C ±0.13 (±.005) | D ±0.25 (±.010) | D' ±0.25 (±.010) | E ±0.5 (±.020) | F ±0.1 (±.004) |
|-----------------|------------------|------------------|-----------------|--------------------|---------------------|--------------------|--------------------|---------------------|-------------------|-------------------|
| | Pin | Socket | | | | | | | | |
| 9 | DEL C-J9PAF-* □ | — | 30.8 (1.213) | — | 16.90 (.665) | 24.99 (.984) | — | 8.34 (.328) | 6.0 (.236) | 0.4 (.016) |
| | — | DEL C-J9SAF-* □ | 30.8 (1.213) | 16.26 (.640) | — | 24.99 (.984) | 7.82 (.308) | — | 6.1 (.240) | 0.4 (.016) |
| 15 | DAL C-J15PAF-* □ | — | 39.1 (1.539) | — | 25.24 (.994) | 33.32 (1.312) | — | 8.34 (.328) | 6.0 (.236) | 0.4 (.016) |
| | — | DAL C-J15SAF-* □ | 39.1 (1.539) | 24.59 (.968) | — | 33.32 (1.312) | 7.82 (.308) | — | 6.1 (.240) | 0.4 (.016) |
| 25 | DBL C-J25PAF-* □ | — | 53.0 (2.087) | — | 39.01 (1.536) | 47.04 (1.852) | — | 8.40 (.331) | 6.0 (.236) | 0.6 (.024) |
| | — | DBL C-J25SAF-* □ | 53.0 (2.087) | 38.30 (1.508) | — | 47.04 (1.852) | 7.82 (.308) | — | 6.1 (.240) | 0.4 (.016) |
| 37 | DCL C-J37PAF-* □ | — | 69.3 (2.728) | — | 55.47 (2.184) | 63.50 (2.500) | — | 8.40 (.331) | 6.0 (.236) | 0.6 (.024) |
| | — | DCL C-J37SAF-* □ | 69.3 (2.728) | 54.76 (2.156) | — | 63.50 (2.500) | 7.82 (.308) | — | 6.1 (.240) | 0.4 (.016) |

Note 1: * - Add female screwlock assembly code. □ - Add grounding bracket code.

Dimensions in mm (inches).



Hong Kong
Tel: 852-2723-7782
Fax: 852-2723-9028

Japan
03-3780-2715
03-3780-2883

Singapore
65-748-1332
65-748-2920

Taiwan
02-555-9711
02-556-5424

United Kingdom
1276-21717
1276-66165

United States
714-753-2600
714-753-2699

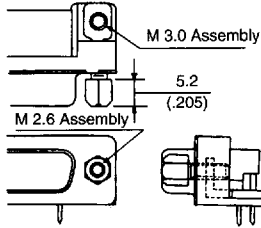
D*LC SUBMINIATURE CONNECTORS

PCB Through Hole Type

D*LC TYPE FEMALE SCREWLOCKS AND GROUNDING BRACKET

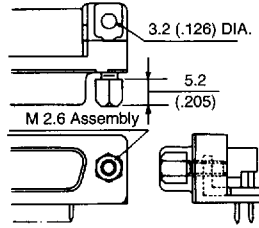
D*LC-J**AF-10L6

Female Screwlocks Assembly: M2.6
Grounding Bracket: L6 . . . M3



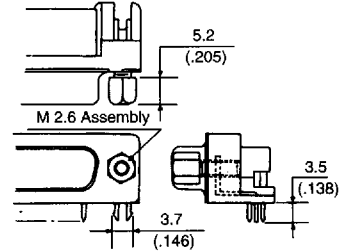
D*LC-J**AF-10L8

Female Screwlocks Assembly: M2.6
Grounding Bracket: 3.2 dia thru hole



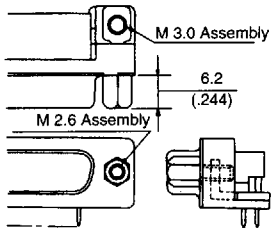
D*LC-J**AF-10L9

Female Screwlocks Assembly: M2.6
Grounding Bracket: Hook style



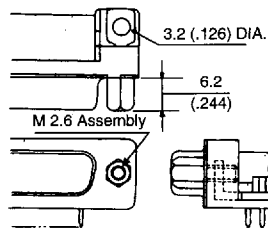
D*LC-J**AF-13L6

Female Screwlocks Assembly: M2.6
Grounding Bracket: L6 . . . M3



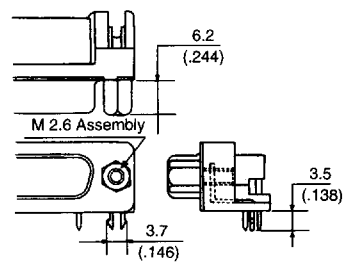
D*LC-J**AF-13L8

Female Screwlocks Assembly: M2.6
Grounding Bracket: 3.2 dia thru hole



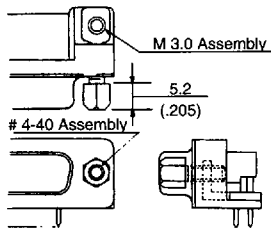
D*LC-J**AF-13L9

Female Screwlocks Assembly: M2.6
Grounding Bracket: Hook style



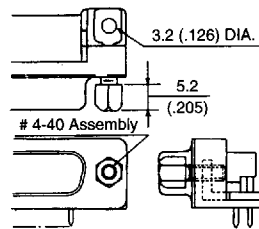
D*LC-J**AF-20L6

Female Screwlocks Assembly: #4-40
Grounding Bracket: L6 . . . M3



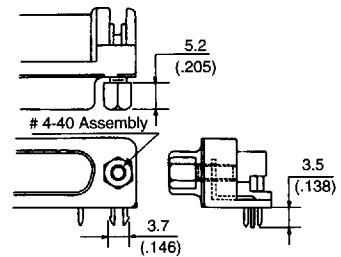
D*LC-J**AF-20L8

Female Screwlocks Assembly: #4-40
Grounding Bracket: 3.2 dia thru hole



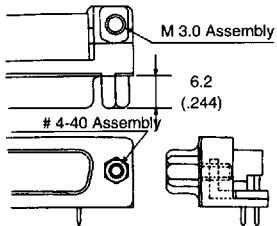
D*LC-J**AF-20L9

Female Screwlocks Assembly: #4-40
Grounding Bracket: Hook Style



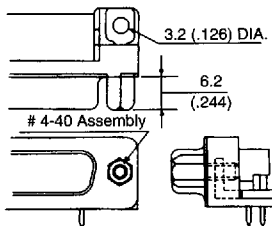
D*LC-J**AF-23L6

Female Screwlocks Assembly: #4-40
Grounding Bracket: L6 . . . M3



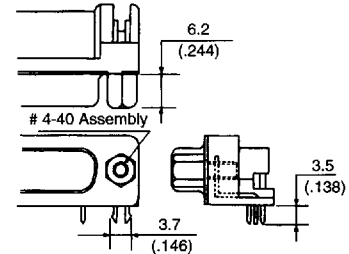
D*LC-J**AF-23L8

Female Screwlocks Assembly: #4-40
Grounding Bracket: 3.2 dia thru hole



D*LC-J**AF-23L9

Female Screwlocks Assembly: #4-40
Grounding Bracket: Hook style



Note 1: Please refer to page 244 for PCB mounting hole patterns.

Dimensions in mm (inches).

Hong Kong
Tel: 852-2723-7782
Fax: 852-2723-9028

Japan
03-3780-2715
03-3780-2883

Singapore
65-748-1332
65-748-2920

Taiwan
02-555-9711
02-556-5424

United Kingdom
1276-21717
1276-66165

United States
714-753-2600
714-753-2699



D*LC SUBMINIATURE CONNECTORS

PCB Through Hole Type

.....

EMI SHIELDING RECEPTACLE WITH FERRITE CORE

D*LC-F Type Connectors

D*LC Series F Type connectors are right angle through hole connectors incorporating multihole ferrite core. 2 to 15 dB radiation suppressing effect is acquired in 30 to 300 MHz. Two kinds of Grounding Brackets are available.

GENERAL SPECIFICATIONS

| | |
|---------------------------------|------------------------------------|
| Number of Contacts | 9, 15, 25 |
| Current Rating | 5 Amps |
| Dielectric Withstanding Voltage | 600 VAC (for one minute) |
| Insulation Resistance | 1 megohms min. |
| Contact Resistance | 13 milliohms max. (initial) |
| Radiation Suppressing Effect | 2 to 15 dB min. (in 30 to 300 MHz) |
| Operating Temperature | -55°C to +105°C |

MATERIALS AND FINISHES

| | |
|------------------|---|
| Description | Materials/Finishes |
| Shell | Steel/Nickel plating |
| Insulator | PET/UL94V-0, Black |
| Grounding Lug | Phosphor Bronze/Tin plating |
| Contact | Pin: Brass, Socket: CA725/ Connecting Area: Gold plating Terminal Area: Tin plating |
| Female Screwlock | Steel or Brass/Nickel plating |
| Ferrite | Ni-Zn included |

L6 TYPE (GROUNDING BRACKET: M3.0 METRIC THREAD)

| Female Screwlock | | M2.6 Metric | | #4-40UNC-2B | |
|------------------|--------------|-------------------|-------------------|-------------------|------------------|
| | | 10 (Short) | 13 (Long) | 20 (Short) | 23 (Long) |
| No. of Contacts | Contact Type | Part Number | Part Number | Part Number | Part Number |
| 9 | Pin | DELC-J9PAF-10L6F | DELC-J9PAF-13L6F | — | DELC-J9PAF-23L6F |
| | Socket | DELC-J9SAF-10L6F | DELC-J9SAF-13L6F | — | DELC-J9SAF-23L6F |
| 15 | Pin | DALC-J15PAF-10L6F | DALC-J15PAF-13L6F | — | DALC-J9PAF-23L6F |
| | Socket | DALC-J15SAF-10L6F | DALC-J15SAF-13L6F | DALC-J15SAF-20L6F | DALC-J9SAF-23L6F |
| 25 | Pin | DBLC-J25PAF-10L6F | DBLC-J25PAF-13L6F | — | DBLC-J9PAF-23L6F |
| | Socket | DBLC-J25SAF-10L6F | DBLC-J25SAF-13L6F | DBLC-J25SAF-20L6F | DBLC-J9SAF-23L6F |

L9 TYPE (GROUNDING BRACKET: HOOK LUG)

| Female Screwlock | | M2.6 Metric | | #4-40UNC-2B | |
|------------------|--------------|-------------------|-------------------|-------------------|-------------------|
| | | 10 (Short) | 13 (Long) | 20 (Short) | 23 (Long) |
| No. of Contacts | Contact Type | Part Number | Part Number | Part Number | Part Number |
| 9 | Pin | DELC-J9PAF-10L9F | DELC-J9PAF-13L9F | DELC-J9PAF-20L9F | DELC-J9PAF-23L9F |
| | Socket | DELC-J9SAF-10L9F | DELC-J9SAF-13L9F | DELC-J9SAF-20L9F | DELC-J9SAF-23L9F |
| 15 | Pin | — | DALC-J15PAF-13L9F | DALC-J15PAF-20L9F | DALC-J15PAF-23L9F |
| | Socket | DALC-J15SAF-10L9F | DALC-J15SAF-13L9F | DALC-J15SAF-20L9F | DALC-J15SAF-23L9F |
| 25 | Pin | — | DBLC-J25PAF-13L9F | DBLC-J25PAF-20L9F | DBLC-J25PAF-23L9F |
| | Socket | DBLC-J25SAF-10L9F | DBLC-J25SAF-13L9F | DBLC-J25SAF-20L9F | DBLC-J25SAF-23L9F |

Dimensions in mm (inches).



Hong Kong
Tel: 852-2723-7782
Fax: 852-2723-9028

Japan
03-3780-2715
03-3780-2883

Singapore
65-748-1332
65-748-2920

Taiwan
02-555-9711
02-556-5424

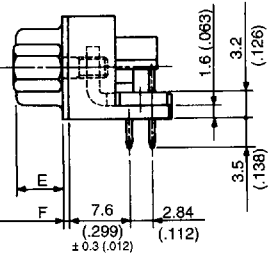
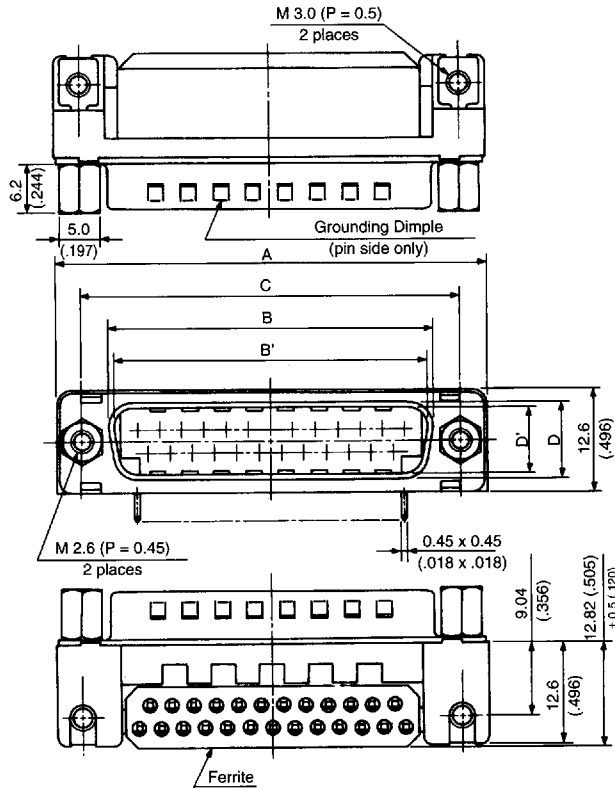
United Kingdom
1276-21717
1276-66165

United States
714-753-2600
714-753-2699

D*LC SUBMINIATURE CONNECTORS

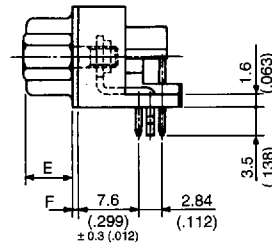
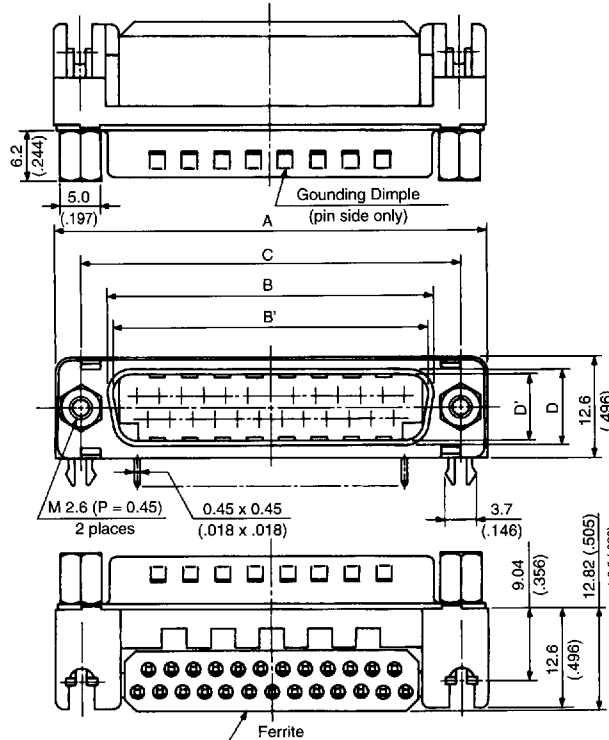
PCB Through Hole Type

L6 TYPE (GROUNDING BRACKET: M3.0 METRIC THREAD)



Note: Shown above is 13L6 Type.
Please refer to page 246 for dimensions.
Please refer to page 244 for PCB
Mounting Hole Pattern.

L9 TYPE (GROUNDING BRACKET: HOOK LUG)



Note: Shown above is 13L9 Type.
Please refer to page 246 for dimensions.
Please refer to page 244 for PCB
Mounting Hole Pattern.

Dimensions in mm (inches).

Hong Kong
Tel: 852-2723-7782
Fax: 852-2723-9028

Japan
03-3780-2715
03-3780-2883

Singapore
65-748-1332
65-748-2920

Taiwan
02-555-9711
02-556-5424

United Kingdom
1276-21717
1276-66165

United States
714-753-2600
714-753-2699

