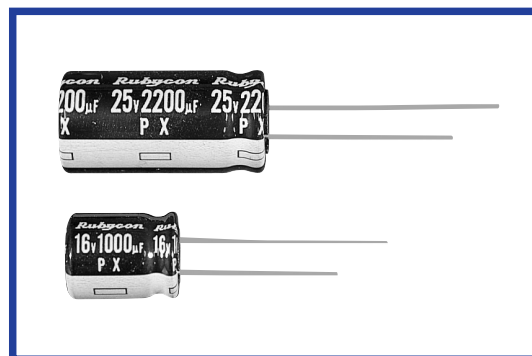
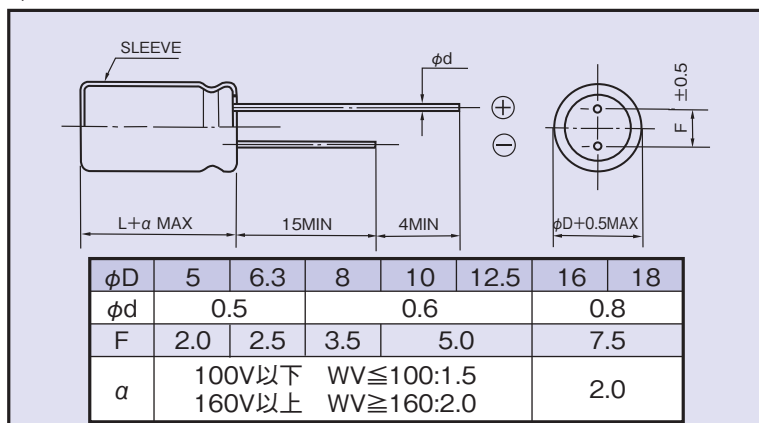


PX SERIES
105°C Standard
◆FEATURES

•RoHS compliance.


◆SPECIFICATIONS

Items	Characteristics															
Category Temperature Range	-55~+105°C	-40~+105°C	-25~+105°C													
Rated Voltage Range	6.3~100V.DC	160~400V.DC	450V.DC													
Capacitance Tolerance	±20%(20°C, 120Hz)															
Leakage Current(MAX)	6.3~100V.DC		160~450V.DC													
	I=0.01CV or 3µA whichever is greater. (After 2 minutes application of rated voltage)		CV≤1000													
			CV>1000													
		I=0.1CV+40µA (1minute) I=0.03CV+15µA (5minutes)	I=0.04CV+100µA (1minute) I=0.02CV+25µA (5minutes)													
		I=Leakage Current(µA)	C=Rated Capacitance(µF) V=Rated Voltage(V)													
(tanδ) Dissipation Factor(MAX)	Rated Voltage (V)	6.3	10	16	25	35	50	63	100	160	200	250	350	400	450	(20°C, 120Hz)
	tanδ	0.28	0.24	0.20	0.16	0.14	0.12	0.10	0.08	0.20	0.20	0.20	0.25	0.25	0.25	
When rated capacitance is over 1000µF, tanδ shall be added 0.02 to the listed value with increase of every 1000µF.																
Endurance	After life test with rated ripple current at conditions stated in the table below, the capacitors shall meet the following requirements.															
	Capacitance Change	Within ±25% of the initial value.										Case Size	Life Time (hrs)			
	Dissipation Factor	Not more than 200% of the specified value.										φD≤8	1000			
	Leakage Current	Not more than the specified value.										φD≥10	2000			
Low Temperature Stability Impedance Ratio(MAX)	Rated Voltage (V)	6.3	10	16	25	35	50	63	100	160	200	250	350	400	450	(120Hz)
	Z(-25°C)/Z(20°C)	5	4	3	2	2	2	2	2	3	3	4	6	6	7	
	Z(-40°C)/Z(20°C)	10	8	6	4	3	3	3	3	4	4	8	8	10	-	

◆DIMENSIONS

◆MULTIPLIER FOR RIPPLE CURRENT

Frequency coefficient

Frequency (Hz)	60(50)	120	500	1k	10k≤
0.47~1µF	0.50	1.00	1.20	1.30	1.50
2.2~4.7µF	0.65	1.00	1.20	1.30	1.50
10~47µF	0.80	1.00	1.20	1.30	1.50
100~1000µF	0.80	1.00	1.10	1.15	1.20
2200~33000µF	0.80	1.00	1.05	1.10	1.15

◆PART NUMBER

□□□	PX	□□□□□	□	□□□	□□	D×L
Rated Voltage	Series	Rated Capacitance	Capacitance Tolerance	Option	Lead Forming	Case Size

