

DELTA D Straight solder

 UL Recognized File E 118235 (R)

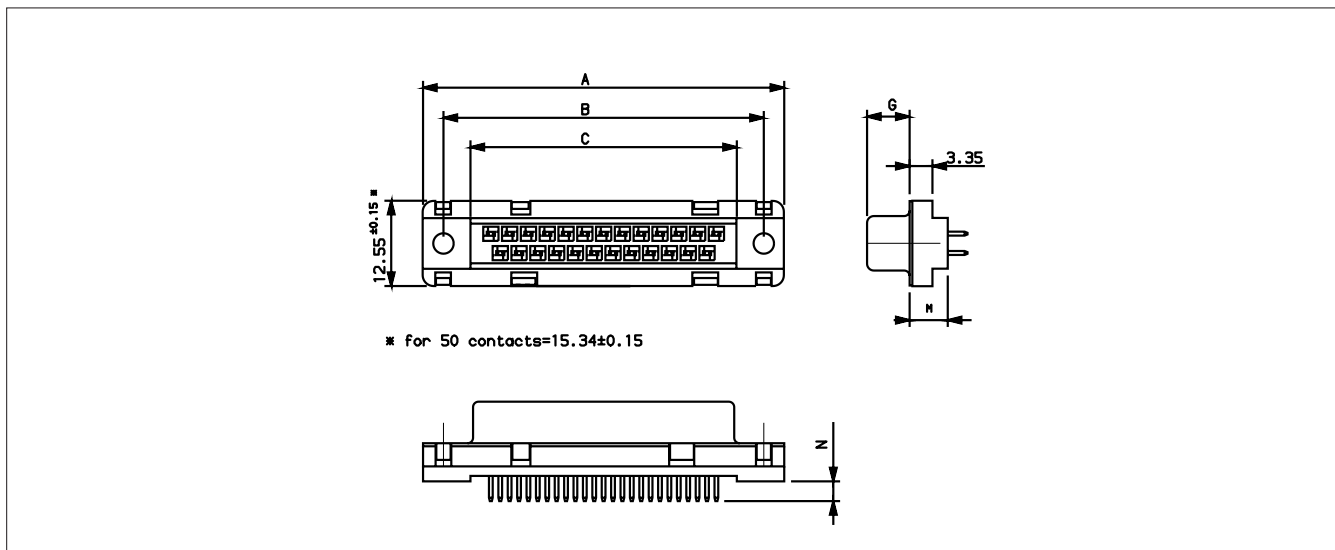


Ordering information

Series	D	25	P	24 A	4	GV	00LF
Number of contacts 09, 15, 25, 37, 50							
Contacts P : Pin S : Socket							
Terminations							
	Code	Type	Foot print/Pitch	Length of termination	PCB thickness		
	14 A	Straight version (low profile)	5.6 / 2.84 mm	2.90	1.6		
☺	24 A	Straight version	6 / 2.84 mm	2.90	1.6		
	24 B	Straight version	6 / 2.84 mm	3.70	2.4		
	34 A	Straight version	6.9 / 2.84 mm	2.90	1.6		
Plating 4 : Standard class (≥ 200 mating / unmating) 6 : High performance class (≥ 500 mating / unmating) - LNZ 4404 -							
Mounting options (see cover page 61)							
	Options						
	PA	Standard hole					
	PL	Threaded insert M3					
	PX	Threaded insert UNC 4-40					
	PV	Female screw UNC 4-40					
	GL	Harpoons + insert M3 + elec. continuity					
	GX	Harpoons + insert UNC 4-40 + elec. continuity					
☺	GV	Harpoons + Female screw UNC 4-40 + elec. continuity					
Other options 00 : Standard series, non RoHS compatible ☺ 00LF : Standard series, RoHS compatible							

DELTA D Straight solder

Specific dimensions



		A±0.38	B±0.12	C±0.10	G ^{+0.25} ₀	M±0.10			N±0.30	
						Termination			Terminal Length	
						14.	24.	34.	14 A 24 A 34 A	24 B
9	P	30.81	24.99	16.96	5.90 ^{+0.15} ₋₀	5.60	6.00	6.90	2.90	3.70
	S	30.81	24.99	16.96	6.05	5.60	6.00	6.90	2.90	3.70
15	P	39.14	33.32	25.18	5.90 ^{+0.15} ₋₀	5.60	6.00	6.90	2.90	3.70
	S	39.14	33.32	25.18	6.05	5.60	6.00	6.90	2.90	3.70
25	P	53.03	47.04	39.12	5.70	5.60	6.00	6.90	2.90	3.70
	S	53.03	47.04	39.12	6.05	5.60	6.00	6.90	2.90	3.70
37	P	69.32	63.50	55.68	5.70	5.60	6.00	6.90	2.90	3.70
	S	69.32	63.50	55.68	6.05	5.60	6.00	6.90	2.90	3.70
50	P	67.10	61.11	54.11	5.70	5.60	6.00	6.90	2.90	3.70
	S	67.10	61.11	54.11	6.05	5.60	6.00	6.90	2.90	3.70