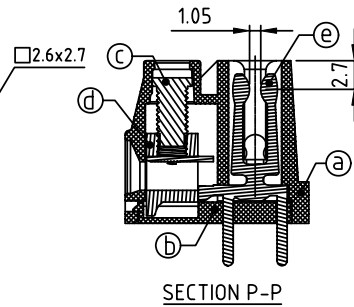
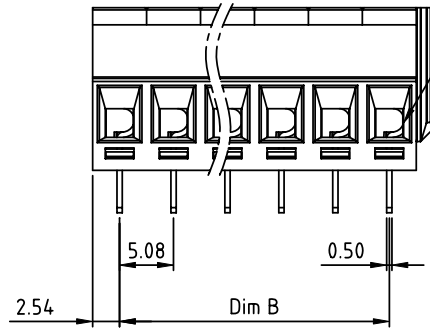
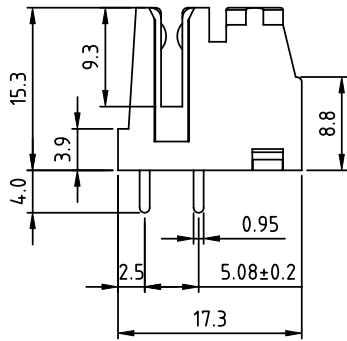
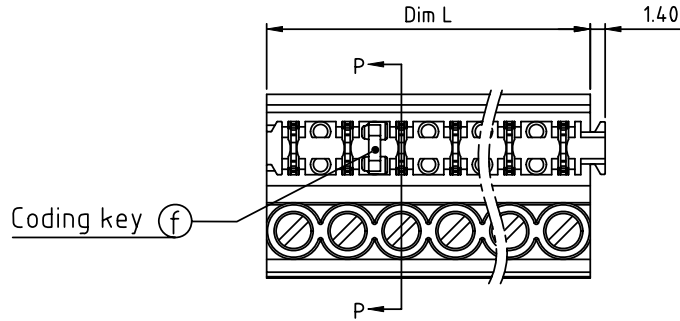


PRODUCT NUMBER	PITCH
K4xx53x200J0G	5.08 mm



Material:

- Item (a) Terminal body: Thermoplastic (UL94V-0)
- Item (b) Terminal cover: Thermoplastic (UL94V-0)
- Item (c) Terminal screw: Steel Zinc plating "-" slot type
- Item (d) Clamp: Zinc alloy, Ni plated
- Item (e) Pin: PhBz, Tin plated
- Item (f) Coding key: PC, Yellow

Electrical cULus

- Voltage rating: 300VAC
- Current rating: 10A
- Solid wire: 14-24 AWG
- Stranded wire: 14-24AWG
- Torque: 4.5 Lb-In
- Screw: M3
- Wire strip length: 6-7mm
- Withstanding Voltage: 1.6KV
- Operating temperature: -40°C to +115°C
- Soldering temperature: 260°C±5°C/5 Sec

PART NO.: K4 xx 53 x 2 00J0 G

N = Number of poles
Dim L = N x 5.08
Dim B = (N-1) x 5.08

Poles	Tolerance
3P-6P	±0.15
7P-12P	±0.25
13P-18P	±0.35
19P-24P	±0.40

Solid block	No. of poles	Color	RoHS compliant
0	2	Black (RAL9005)	(lead<4%) In copper Alloy
03	3 poles	Red (RAL3001/D)	
04	4 poles	Orange (RAL2011/P)	
...	...	4 Yellow (RAL1018/A)	
...	...	5 Green (RAL6018/T)	
24	24 poles	6 Blue (RAL5015/A)	
		8 Grey (RAL7035/D)	
		9 White (RAL1102)	
		C Green (RAL6018/U)	

mat'l. code				surface ASME Y14.5 ✓		tolerance ASME Y14.5		projection		product family	
ltr ecn no dr date				tolerances unless otherwise specified		X.±0.5		MM		TERMINAL BLOCK	
				angles		X.X±0.3		scale		title	
				X°±1'		X.XX±0.1				TERMINAL BLOCK	
				dr		EVIN ZHONG 051214		dwg no		sheet 1 of 1 size	
				enr		EVIN ZHONG 051214		K4xx53x200J0G		A4	
				chr		HANKE FENG 051214		type		CUSTOMER Drawing	
				appd		SHI JUN 051214					
sheet index		revision sheet		A		1					