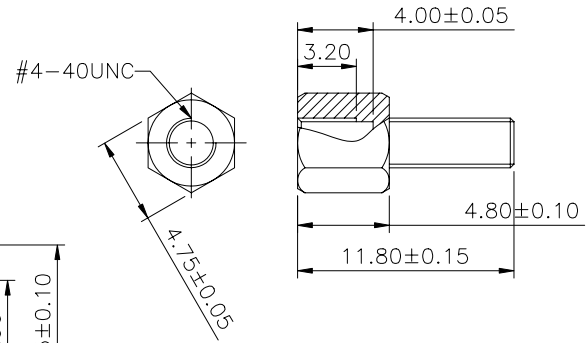
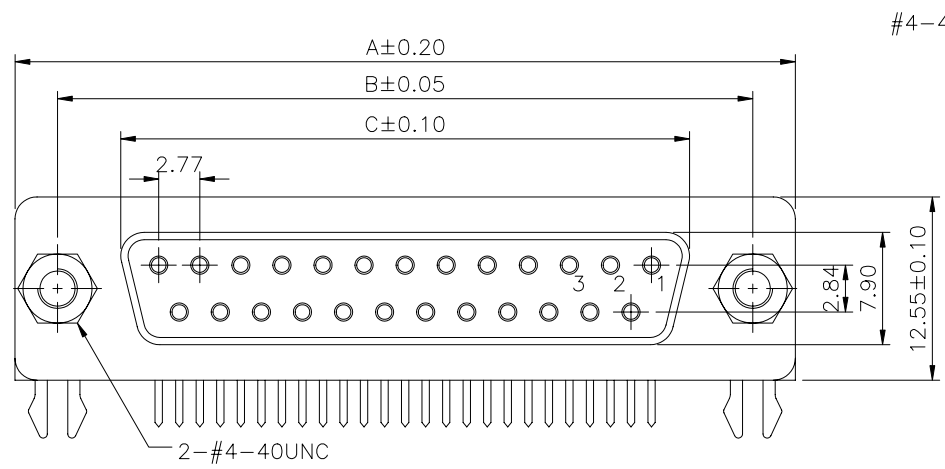
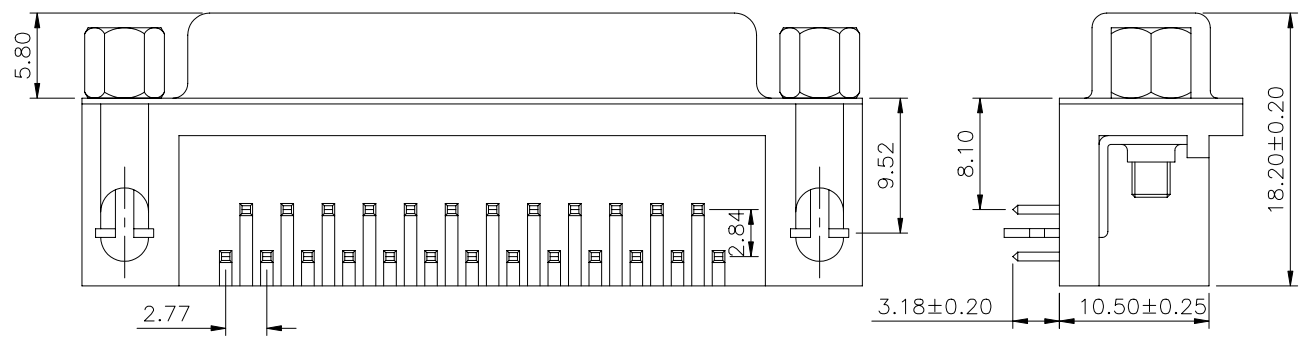


SPECIFICATION
 Current Rating:5Amps
 Withstanding Voltage:1000V(One Minute)
 Insulation Resistance:1000 Megaohms Min. At 500V DC
 Operation Temperature:-50°C~+105°C
 Shell:Steel,Nickel Finished
 Insulator:P.B.T+30% Glass Fiber(UL94V-0)
 Contact:Brass,Gold Flash On Contact Area,
 Tin Plated On Solder Tail,Under Plated Nickel
 RoHS Compliant



- DR XX S - XX-H
 (1) (2)(3) (4) (5)
- (1)DR:2.77mm D-SUB DIP 90°
 - (2)XX:No. of Pin
 09:09 Pin
 15:15 Pin
 25:25 Pin
 37:37 Pin
 - (3)S:Female Boardlock With 2
 Jackscrew #4#40 Installed
 - (4)XX:Insulator Color
 Blank:Black
 BL:Blue
 - (5)H:RoHS Compliant



Pin	A	B	C
9	30.80	25.00	16.30
15	39.20	33.30	24.60
25	53.05	47.04	38.38
37	69.40	63.50	54.80

AUK A MEMBER OF AUK GROUP
太聯事業股份有限公司
AUK CONTRACTORS CO., LTD.

CATEGORY		APPROVED BY		UNLESS OTHERWISE SPECIFIED TOLERANCES ARE					
PART No. DRXXS-XX-H		MEI		.X ±0.25 .X* ±3*					
DRAWING No. DRXXS-XX-H		HZF		.XX ±0.15 .XX* ±1*		△ B0	Modify P/N:DRXXS-H-->DRXXS-XX-H	HZF	04/23/2009
SCALE NONE		XYH		.XXX ±0.05 .XXX* ±0.5*		△ B0	NEW RELEASE	HZF	04/23/2009
REV.	BO	UNIT mm	NO.REV.	REVISIONS	CHK	DATE			