

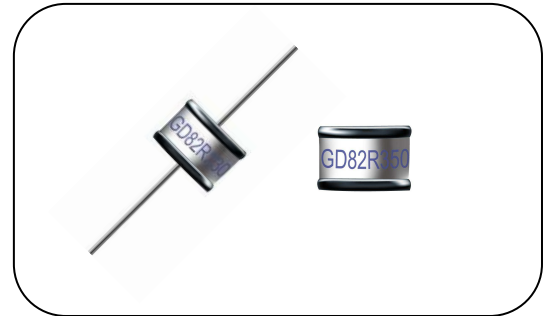
Gas Discharge Tube: GD8 Series



2-Electrode $\Phi 8.0 \times T6$ mm Type

■ Features

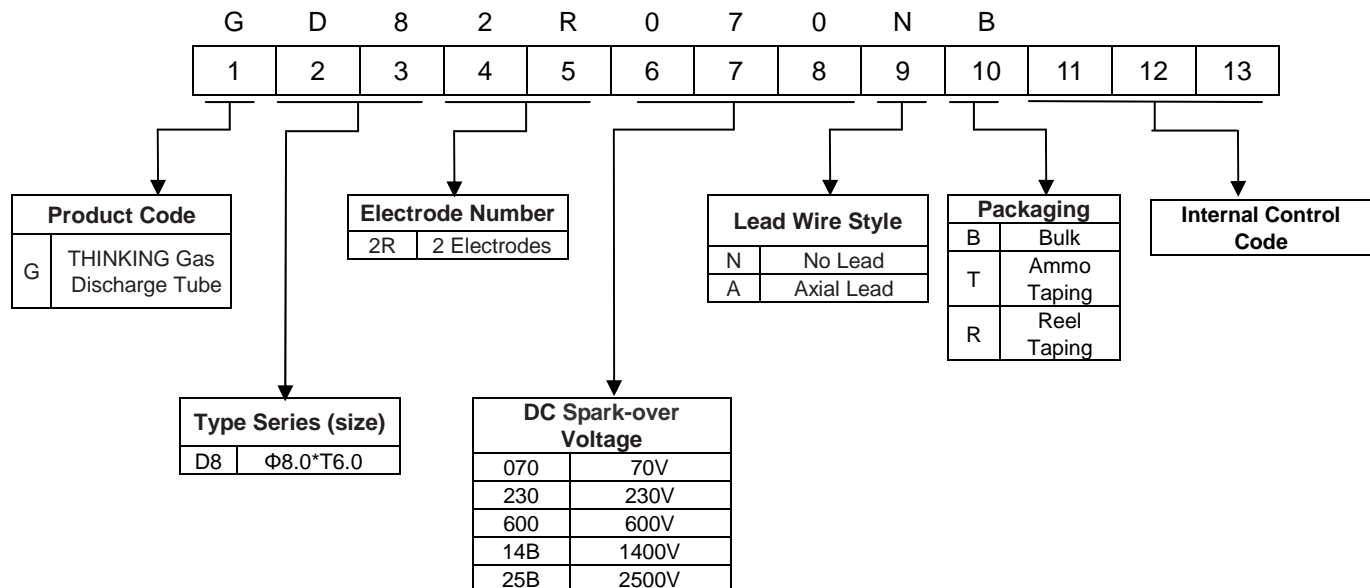
1. RoHS compliant
2. Rugged ceramic-metal construction
3. Available with or without leads
4. DC spark-over voltage: 70~800V
5. Low capacitance
6. Agency recognition: UL/cUL



■ Recommended Applications

1. Data transmission lines
2. Communication lines
3. CATV system
4. Power distribution system
5. Power supplier
6. Test equipment
7. Instrumentation circuits

■ Part Number Code



Gas Discharge Tube: GD8 Series



2-Electrode $\Phi 8.0 \times T6$ mm Type

■ Characteristics

Type	DC Breakdown Voltage	Max. Impulse Breakdown Voltage		Impulse Discharge Current (8/20 μ s)		Impulse Life (10/1000 μ s)	Normal Alternating Discharge Current		DC Holdover Voltage	Minimum Insulation Resistance	Maximum Capacitance (1MHz)	Safety approvals	
	100V/s	100V/ μ s	1KV/ μ s	1 time	10 times	100A	50Hz, 1Sec	Single 9 Cycles	<150ms				
	(V)	(V)	(V)	(KA)		Times	(A)		(V)			(G Ω)	(pF)
GD82R070□□	70 \pm 20%	500	600	15	10	500	5	65	52	10	1.5		√
GD82R075□□	75 \pm 20%	500	600						52			√	
GD82R090□□	90 \pm 20%	500	600						52			√	
GD82R120□□	120 \pm 15%	500	700						52			√	
GD82R130□□	130 \pm 15%	500	700						52			√	
GD82R145□□	145 \pm 15%	500	700						52			√	
GD82R180□□	180 \pm 15%	500	700						80			√	
GD82R230□□	230 \pm 15%	500	700						80			√	
GD82R250□□	250 \pm 15%	500	700						80			√	
GD82R300□□	300 \pm 15%	700	900						150			√	
GD82R350□□	350 \pm 15%	700	900						150			√	
GD82R400□□	400 \pm 15%	800	1000						150			√	
GD82R470□□	470 \pm 15%	900	1000						150			√	
GD82R600□□	600 \pm 20%	1100	1400						150			√	√
GD82R800□□	800 \pm 20%	1300	1700	10	5	150	√	√					

Note1: The first □ is the style of lead wire, and the second □ is packaging.

Note2: UL / 497B → File No. E245070, UL / 1449 3rd → File No. E314979

Note 3: Insulation resistance test conditions:

DC Breakdown Voltage	DC Measuring Voltage
70-90V	50V
120-400V	100V
470-800V	250V

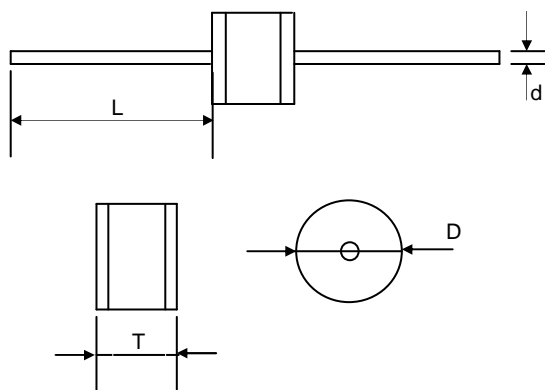
Gas Discharge Tube: GD8 Series



2-Electrode $\Phi 8.0 \times T6$ mm Type

■ Dimensions

□ = A (Axial lead type)

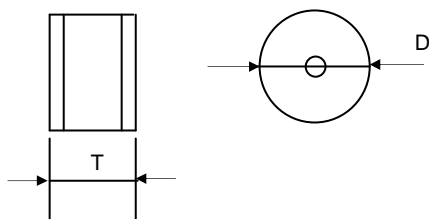


Unit: mm

Item	Dimensions	
	Spec.	Tolerance
D	8.0	+0.3/-0.5
T	6.0	+0.3/-0.5
L	20	Min.
d*	0.8	±0.05

*: d = 1.0mm is available.

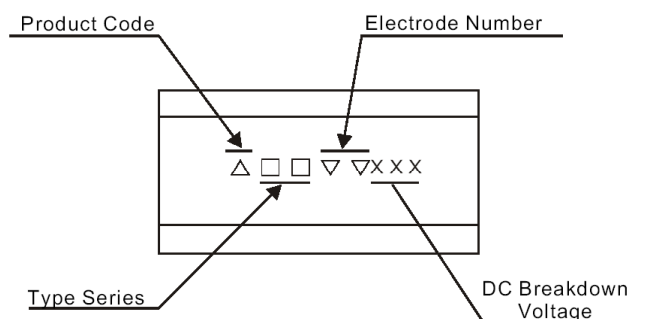
□ = N (No lead type)



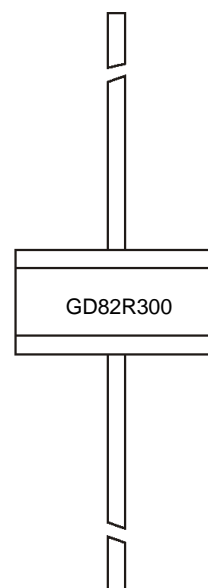
Unit: mm

Item	Dimensions	
	Spec.	Tolerance
D	8.0	+0.3/-0.5
T	6.0	+0.3/-0.5

■ Marking



Example



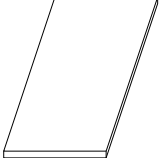
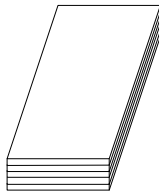
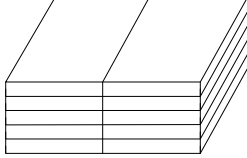
Gas Discharge Tube: GD8 Series



2-Electrode $\Phi 8.0 \times T6$ mm Type

■ Packaging

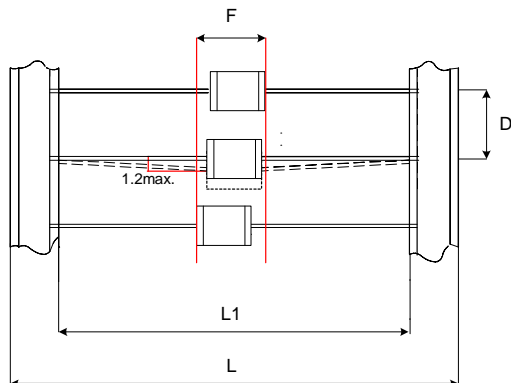
● Bulk

Plastic Tray (263×144×6mm)	Inner Box (270×145×50mm)	Outside Box (320×305×280mm)
		
100 PCS/Plastic tray	500 PCS/box	5000 PCS/carton

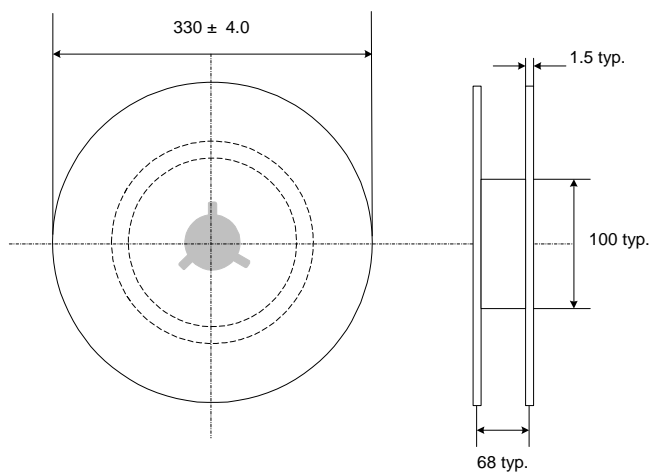
● Taping

For 2-electrode Axial Lead GDT

Unit: mm



Item	Dimensions	
	Spec.	Tolerance
L1	52	± 2
L	64	± 3
D	10	± 0.5
F	T of Gas Tube + 1.4	Max.



Gas Discharge Tube: GD8 Series

2-Electrode $\Phi 8.0 \times T6$ mm Type



■ Storage Conditions of GDT

(I) Storage conditions:

1. Storage temperature: $-10^{\circ}\text{C} \sim +40^{\circ}\text{C}$.
2. Relative humidity: $\leq 75\% \text{RH}$.
3. Gas discharge tube must be kept away from sunlight and stored in a non-corrosive atmosphere.

(II) Shelf life: 1 year