

57L Series



Device connectors for GP-IB Ordering Information

Unit:mm(inch)

57L- 20 24 0 - 7 7 0 0 D35 E

CONNECTOR STYLE

20 : Receptacle,
less spring latches

No. OF CONTACTS

14, 24, 36, 50

CONTACT PLATING

- 1 : 0.8 μ m(30 μ) Gold over Nickel
Tail.....Gold flash over Nickel
- 2 : 0.4 μ m(15 μ) Gold over Nickel
Tail.....Gold flash over Nickel
- 6 : 0.8 μ m(30 μ) Gold over Nickel
Tail.....Solder plating
- 7 : 0.4 μ m(15 μ) Gold over Nickel
Tail.....Solder plating

TAIL LENGTH

- 3 : 3.2mm(.126)
- 7 : 4.75mm(.187)....(standard)



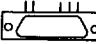

GROUND TAB

- No designation : less ground tab
- E : with 57L-006 ground tab
- G : with 57L-009A ground tab
- 19 : with 57L-012A ground tab

DEVIATION

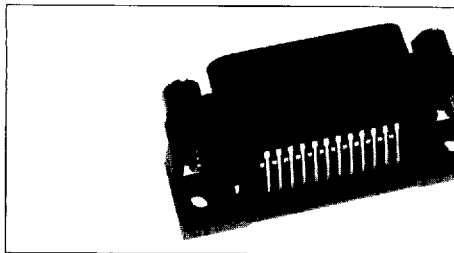
D35 : with jack socket

MOUNTING STYLE/INSULATOR COLOR

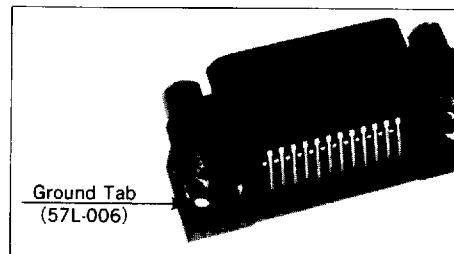
- O :  /Blue...(standard)
- R :  /Blue
- B :  /Black
- C :  /Black

REAR COVER

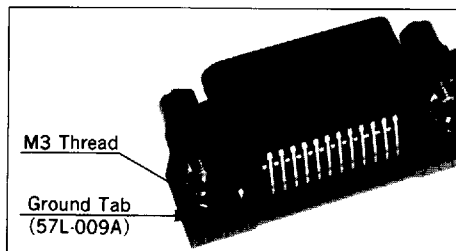
- O : less cover
- C : with cover



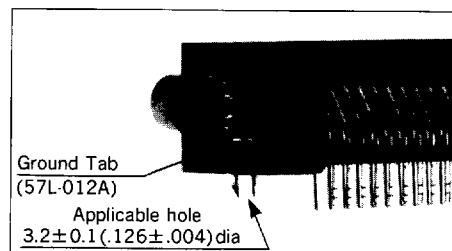
less ground tab



with 57L-006 ground tab



with 57L-009A ground tab

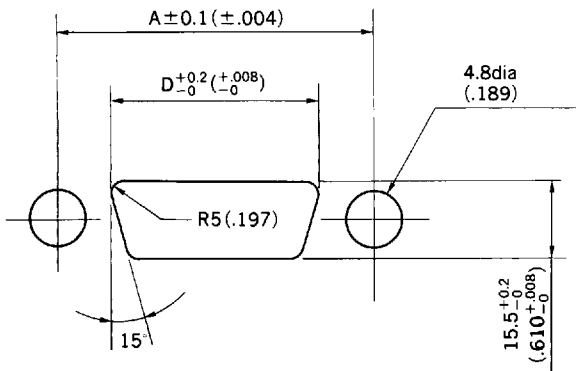
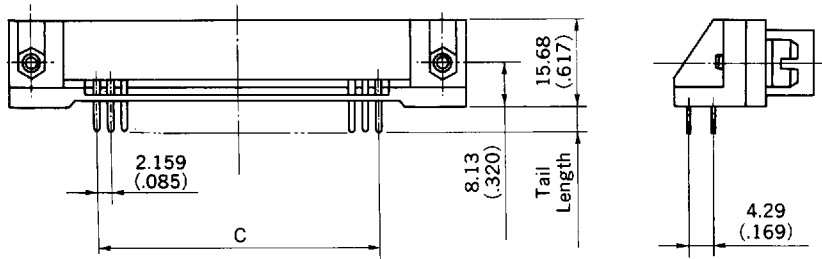
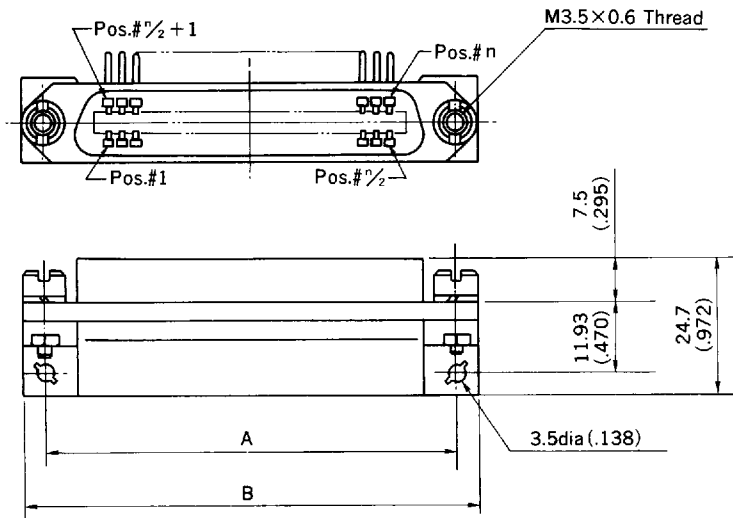


with 57L-012A ground tab

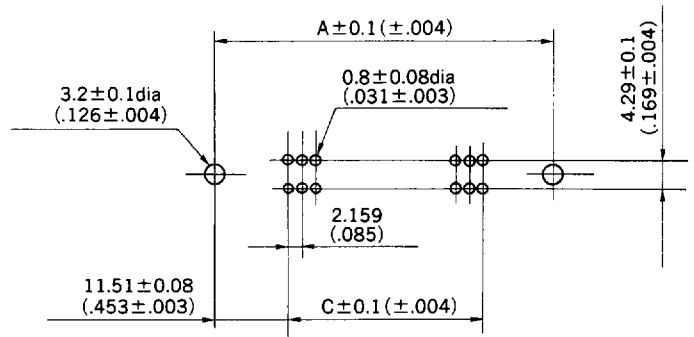
57L Series



Unit:mm(inch)



Panel cut out dimensions
Thickness = 1.0mm (.039)



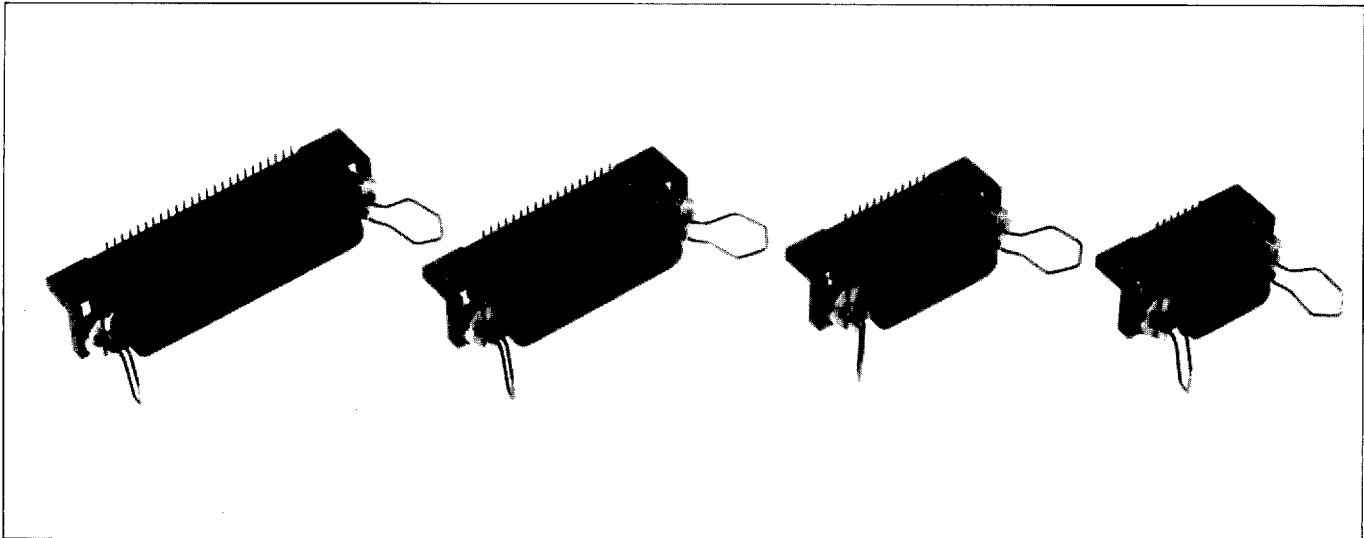
PCB mounting dimensions

NO. OF CONT'S	A	B	C	D
14	36.00 (1.417)	44.00 (1.732)	12.96 (.510)	29.3 (1.154)
24	46.78 (1.842)	54.78 (2.157)	23.76 (.935)	40.1 (1.579)
36	59.74 (2.352)	67.74 (2.667)	36.72 (1.446)	53.0 (2.087)
50	74.85 (2.947)	82.85 (3.262)	51.84 (2.041)	68.2 (2.685)

57L Series



Right angle solder dip connectors
Plastic shell version



FEATURES

- Highly-reliable, scoop-proof cantilever contact design
- Intermateable with 57 family connectors
- UL recognized (File No. E72124)

SPECIFICATIONS

Rated voltage500V AC(r.m.s.)
Rated current3A/contact
Dielectric withstanding1200V AC(r.m.s.)
voltage 1 minute
Insulation resistance1000M Ω min.
at 500V DC
Contact resistance35m Ω max.

MATERIAL/FINISH

Contact.....Copper alloy/
Gold over Nickel plate
InsulatorPBT resin (UL94V-0)
Spring latch.....Stainless steel