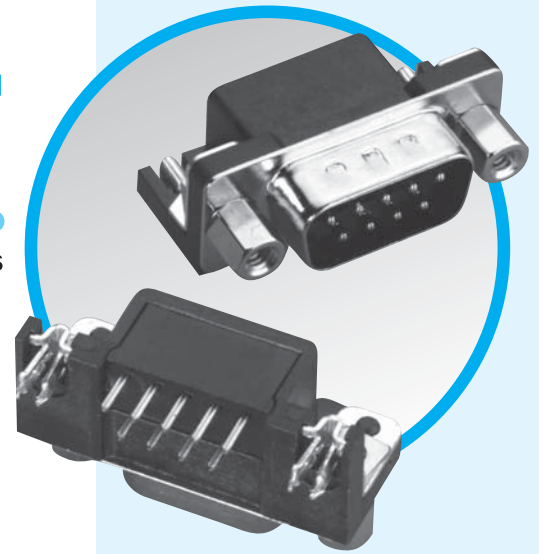


HT

D-Sub connectors - Stamped and Formed Contacts

RIGHT ANGLE HIGH TEMPERATURE CONNECTORS



MAIN CHARACTERISTICS

Specifications

- Connectors according to MIL C24308

Materials and platings	
Shells	Steel with nickel plating
Insulator	Glass-filled thermoplastic, UL 94V-0
Contacts	Copper alloy, selective gold plating
Rear insert	Brass with nickel plating
Screwlock	Brass with nickel plating
Grounding clip	Copper alloy with tin plating

Electrical Data	
Current rating	5A
Voltage rating	600V AC/rms 50Hz
Withstanding voltage	1000V AC/rms 50Hz for one minute
Insulation resistance	5000MΩ
Contact resistance	10mΩ max

Climatic Data	
Operating temperature	-55°C to +150°C, resist to short term (30s) at 260°C

Mechanical Data		
Mating and unmating force Unit: kg (lb)		
No. of Cts	Mate (max)	Unmate (min)
9	3.05 (6.74)	0.36 (0.79)
15	5.09 (11.24)	0.46 (1.01)
25	8.44 (18.66)	0.81 (1.8)
37	12.51 (27.65)	1.1 (2.47)
Standard plating thicknesses		
	• gold flash	
	• 0.76 μm (30μ") gold	

DESCRIPTION

The Amphenol "HT" series allow the customers to use through holes connectors with reflow soldering process.

This series gives you Amphenol's high standards of quality and reliability to meet all of your commercial requirements

*Economical
right angle PCB,
high temperature
connectors*

APPLICATIONS

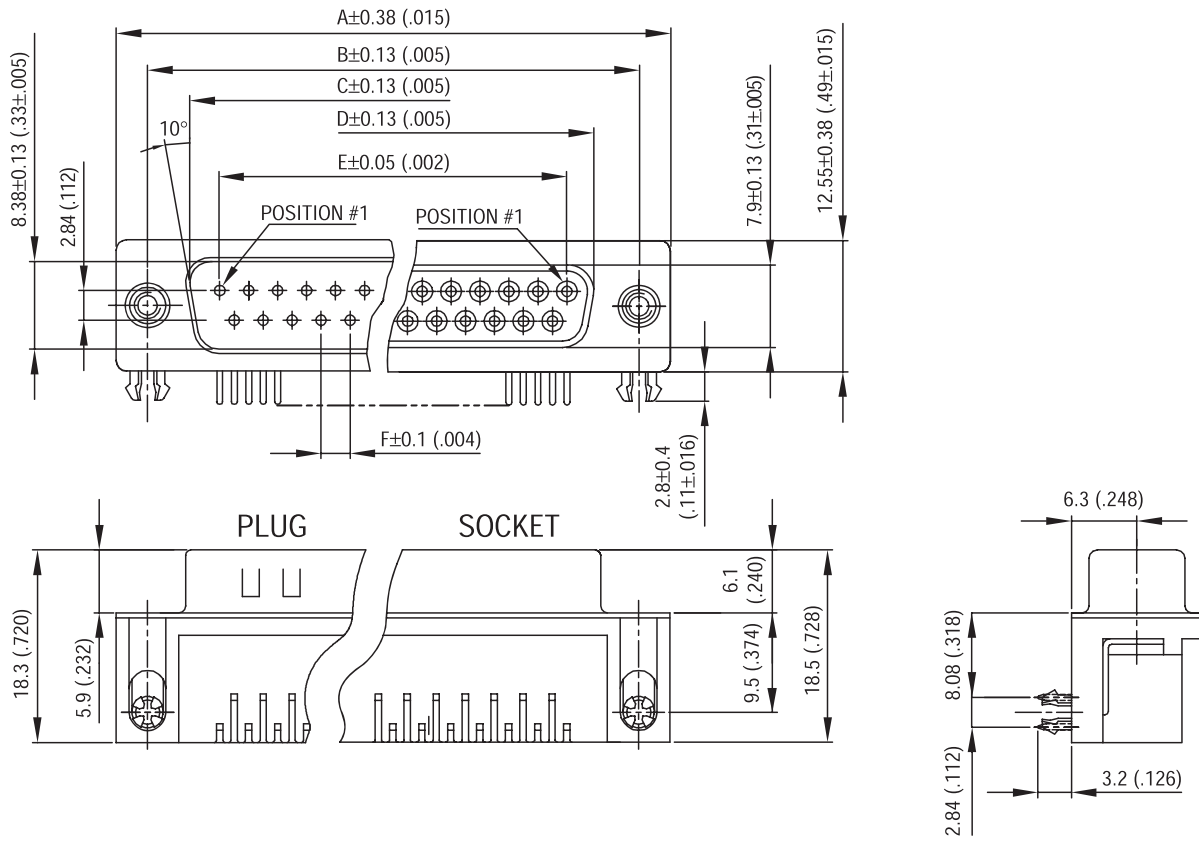
- Industrial
- Telecom
- Any industry standard I / O connections



Amphenol

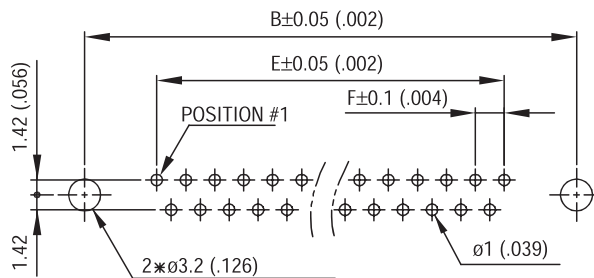
HT / E17

Shell size dimensions

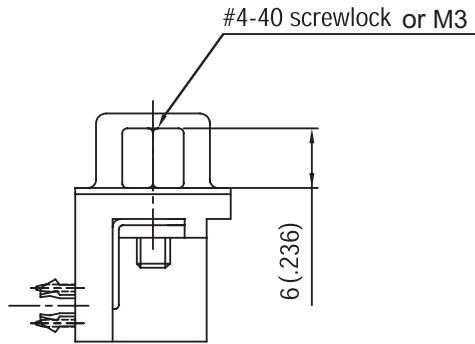


Nb OF CONTACTS	DIMENSIONS mm (inch)					
	A	B	C	D	E	F
9	30.81 (1.21)	24.99 (.98)	16.92 (.67)	16.24 (.64)	11.09 (.44)	2.74 (.108)
15	39.14 (1.54)	33.32 (1.31)	25.25 (.99)	24.56 (.97)	19.39 (.76)	2.74 (.108)
25	53.04 (2.09)	47.04 (1.85)	38.96 (1.53)	38.38 (1.51)	33.24 (1.31)	2.77 (.109)
37	69.32 (2.73)	63.50 (2.50)	55.42 (2.18)	54.76 (2.16)	49.86 (1.96)	2.77 (.109)

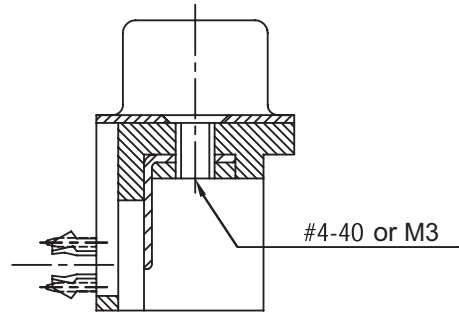
Recommended P.C.B. Layout



Panel mounting option

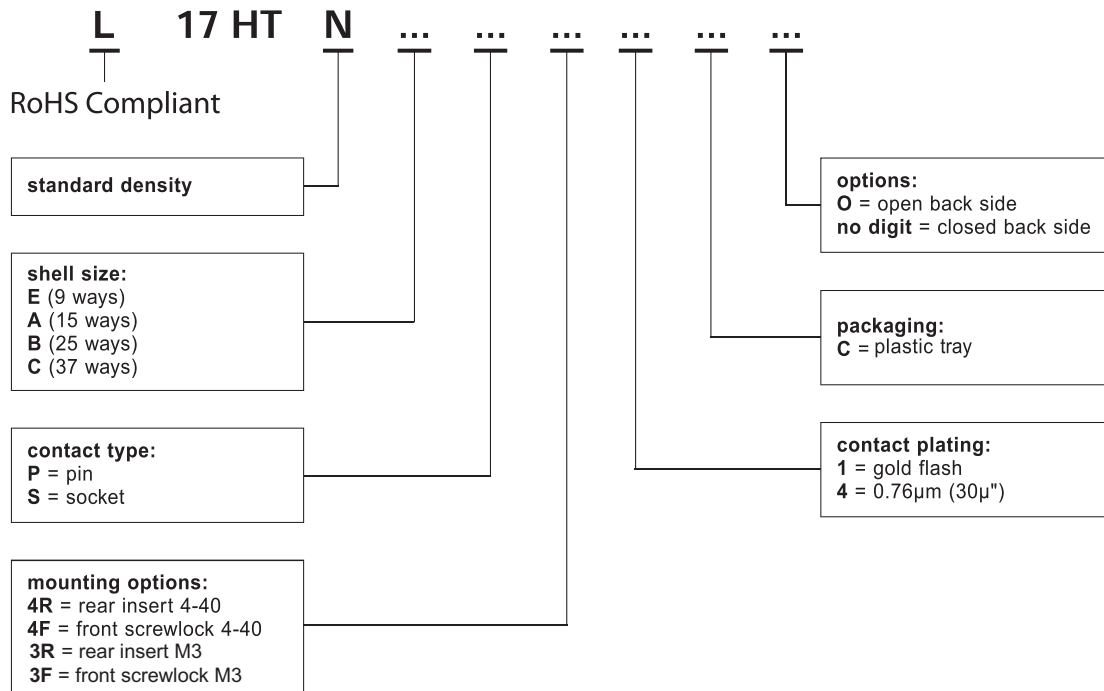


Front female screwlock
4F/3F



Threaded rear insert
4R/3R

How to order



For special request, please consult factory

