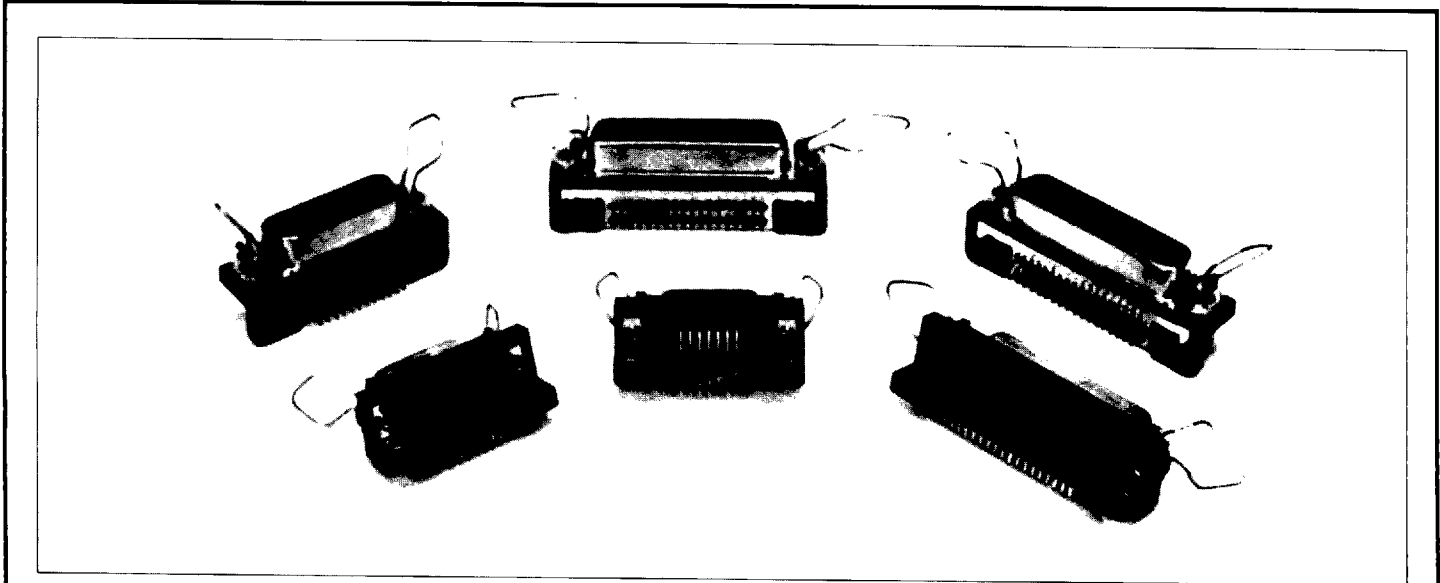


# 57LF Series



## Filtered connectors Right angle solder dip connectors



### FEATURES

- Highly-reliable scoop-proof cantilever contact design
- Intermateable with 57 family connectors
- Available in various arrangements of capacitor and ferrite

### SPECIFICATIONS

Rated voltage .....50V DC  
Rated current .....3A/contact  
Dielectric withstanding ...125V DC  
voltage 5 second  
Insulation resistance .....1M $\Omega$  min.  
at 125V DC  
Contact resistance .....35m $\Omega$  max

### MATERIAL/FINISH

Contact .....Copper alloy/  
Gold over Nickel plate  
Shell .....Brass/Nickel plate  
Insulator .....PBT resin(UL94V-0)

# 57LF Series



## Ordering Information

Unit:mm (inch)

**57LF-40 36 0-1 2 1 0 -A 0**

### CONNECTOR STYLE

20 : Receptacle,  
less spring latches  
40 : Receptacle,  
with spring latches

### NO. OF CONTACTS

14, 24, 36, 50

### CONTACT PLATING

1 : 0.8 $\mu$ m (30 $\mu$ ) Gold over Nickel  
Tail...Solder plating  
2 : 0.4 $\mu$ m (15 $\mu$ ) Gold over Nickel  
Tail...Solder plating

### CAPACITOR

0 : less capacitor  
1 : 47pF  
2 : 100pF  
3 : 270pF  
4 : 470pF  
5 : 1000pF

### FERRITE

0 : less ferrite  
A : with ferrite ( $\mu$ i=700)

### INSULATOR COLOR

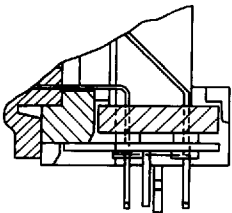
0 : Blue  
B : Black

### GROUND TAB

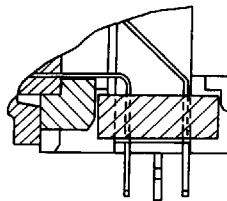
1 : with board lock  
2 : with M3 thread type

### TAIL LENGTH

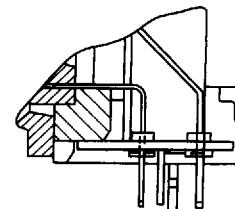
1 : 3.2 (.126)  
2 : 4.75 (.187)



with Ferrite  
and Capacitor



with Ferrite



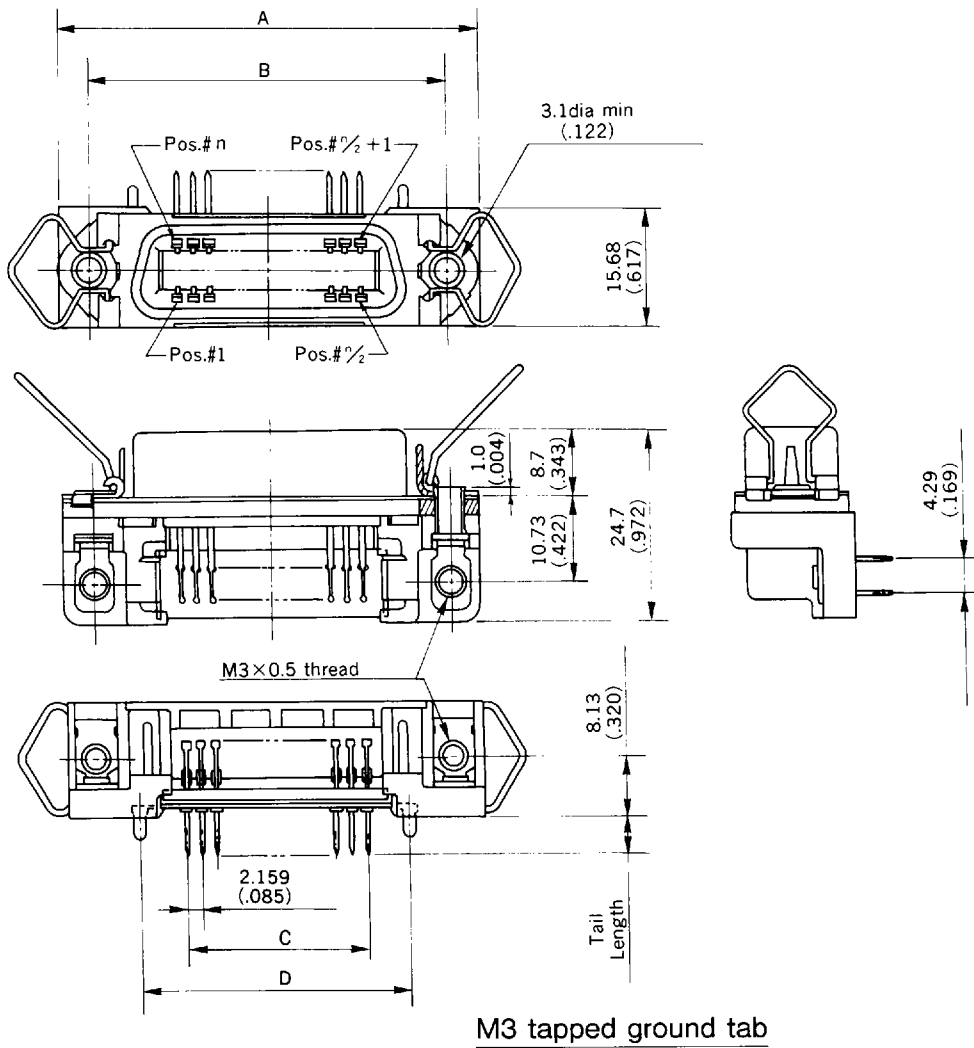
with Capacitor

# 57LF Series

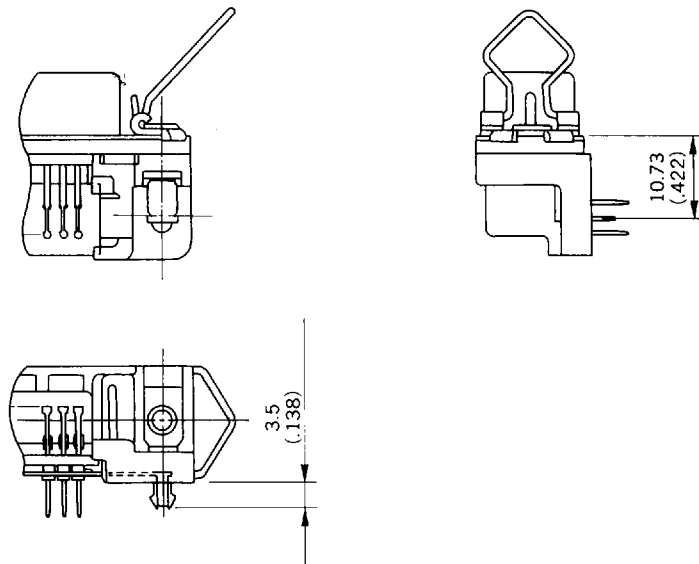


● With spring latch  
57LF-40xx0-xxxx

Unit:mm (inch)



M3 tapped ground tab



Board lock type

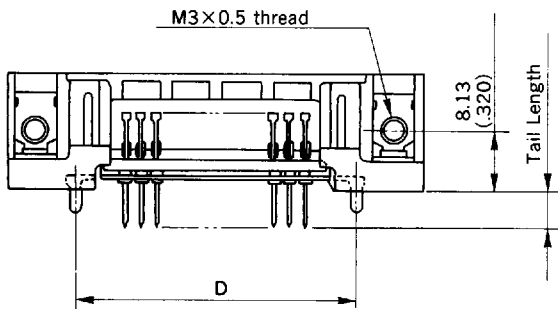
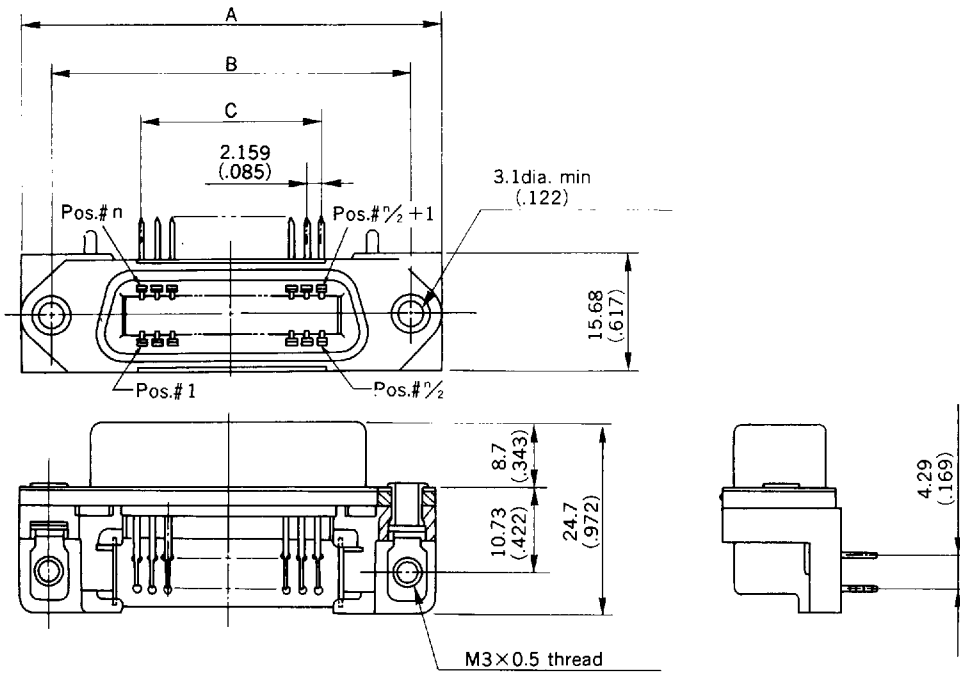
■ 9008844 0000781 6T7 ■

# 57LF Series

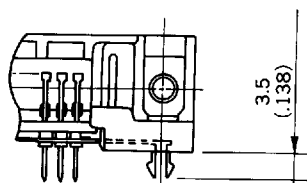
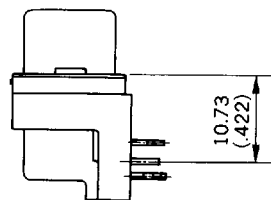
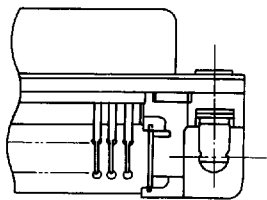


● less spring latch  
57LF-20xx0-xxxx

Unit:mm(inch)



M3 tapped ground tab



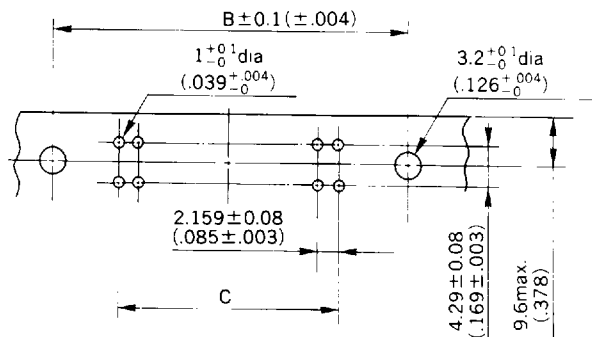
Board lock type

# 57LF Series

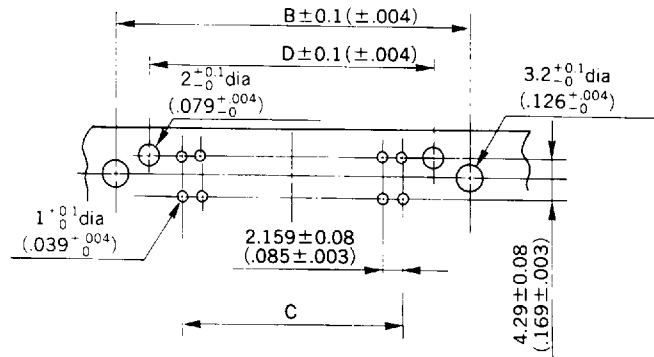


## PCB mounting dimensions

Unit:mm(inch)



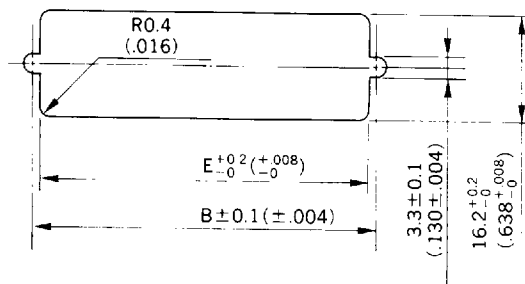
less Capacitor



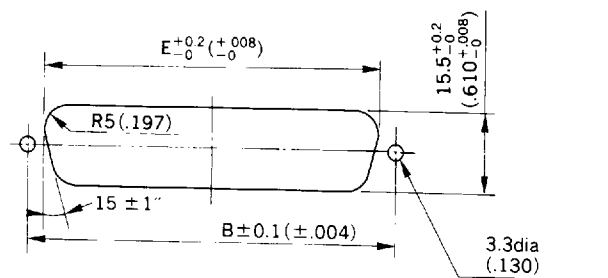
with Capacitor

## Panel cut-out dimensions

Thickness = 1.6max. (.063)



with spring latch



less spring latch

NO. OF CONT'S	A	B	C	D	E	F
14	44.00 (1.732)	36.00 (1.417)	12.96 (.510)	26.00 (1.390)	35.30 (1.390)	29.3 (1.154)
24	54.78 (2.157)	46.78 (1.842)	23.76 (.935)	36.78 (1.448)	46.08 (1.814)	40.1 (1.579)
36	67.74 (2.667)	59.74 (2.352)	36.72 (1.446)	49.74 (1.958)	59.04 (2.324)	53.0 (2.087)
50	82.85 (3.262)	74.85 (2.947)	51.84 (2.041)	64.85 (2.553)	74.15 (2.919)	68.2 (2.685)