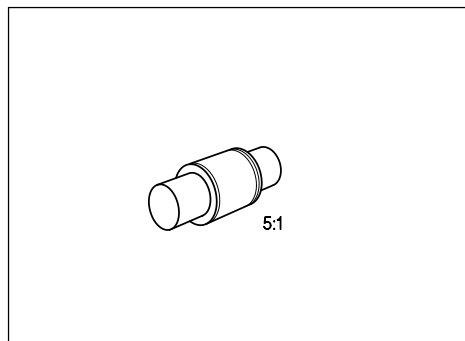


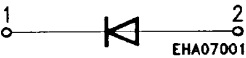
## Silicon PIN Diode

**BXY 42BA-5**

- Fast switching
- Coax package



**ESD: Electrostatic discharge sensitive device, observe handling precautions!**

Type	Marking	Ordering Code	Pin Configuration	Package <sup>1)</sup>
BXY 42BA-5	–	Q62702-X145	Cathode: black dot, heat sink 	C1

### Maximum Ratings

Parameter	Symbol	Values	Unit
Reverse voltage	$V_R$	50	V
Peak forward current, $t_p = 1 \mu\text{s}$	$I_{FRM}$	5	A
Total power dissipation	$P_{tot}$	800	mW
Junction temperature	$T_j$	175	°C
Storage temperature range	$T_{stg}$	– 55 ... + 150	
Operating temperature range	$T_{op}$	– 55 ... + 150	

<sup>1)</sup> For detailed information see chapter Package Outlines.

## Electrical Characteristics

at  $T_A = 25\text{ }^\circ\text{C}$ , unless otherwise specified.

Parameter	Symbol	Values			Unit
		min.	typ.	max.	
Breakdown voltage $I_R = 10\text{ }\mu\text{A}$	$V_{(BR)}$	50	–	–	V
Reverse current $V_R = 40\text{ V}$	$I_R$	–	–	5	nA
Storage time $I_F = 10\text{ mA}$ , $V_R = 10\text{ V}$	$t_s$	–	4	–	ns
Diode capacitance $V_R = 20\text{ V}$ , $f = 1\text{ MHz}$	$C_T$	–	–	0.24	pF
Forward resistance $f = 100\text{ MHz}$ , $I_F = 10\text{ mA}$	$r_f$	–	1.5	–	$\Omega$