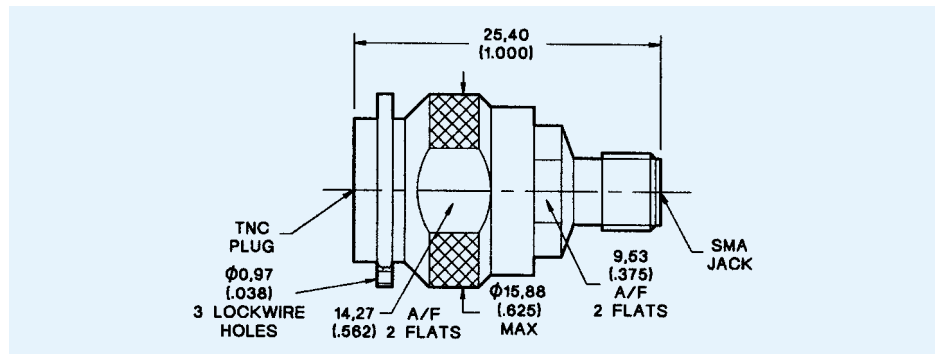


## SMA to Precision TNC

### TNC Plug to SMA Jack

**Part Number**  
050-674-6900890

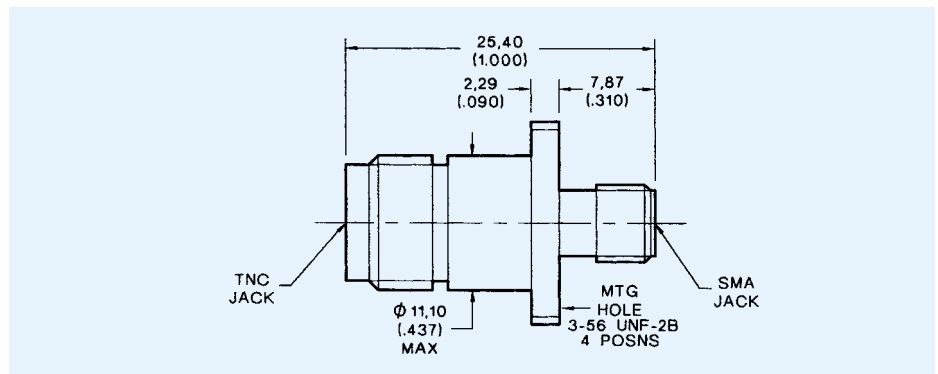
**VSWR:**  
1.04 + .008f (GHz) DC - 12.4 GHz  
1.08 + .010f (GHz) 12.4 - 18 GHz



### TNC Jack to SMA Panel Mount Jack

**Part Number**  
050-675-6901890

**VSWR:**  
1.04 + .008f (GHz) DC - 12.4 GHz  
1.08 + .010f (GHz) 12.4 - 18 GHz

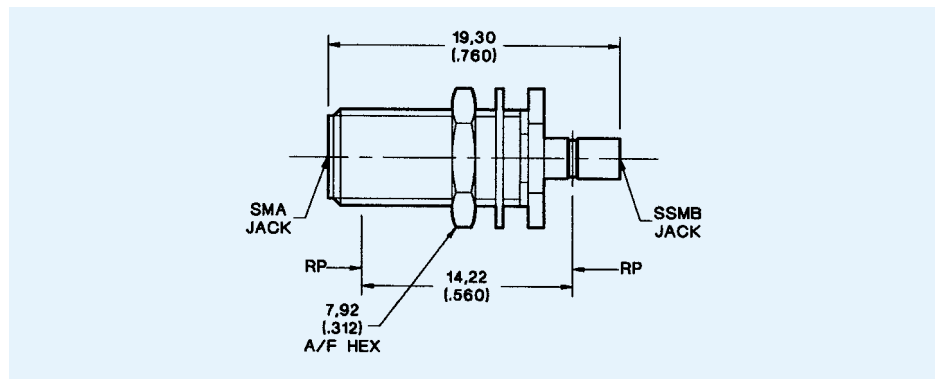


Panel Thickness 4,75 (.187) max.

## SMA to SSMB / SSMC

### SMA Bulkhead Jack to SSMB Jack

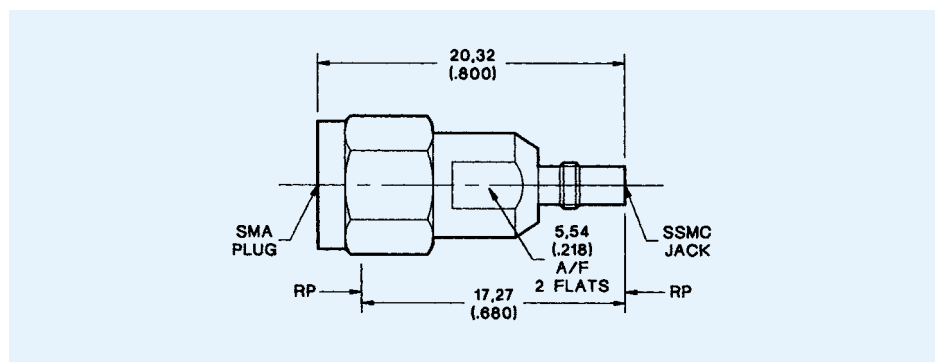
**Part Number**  
051-475-6201220



Mounting Plan W (Page 109). Panel Thickness 3,18 (.125) max.

### SMA Plug to SSMC Jack

**Part Number**  
050-474-6200220



Adaptors