

R1110N Series

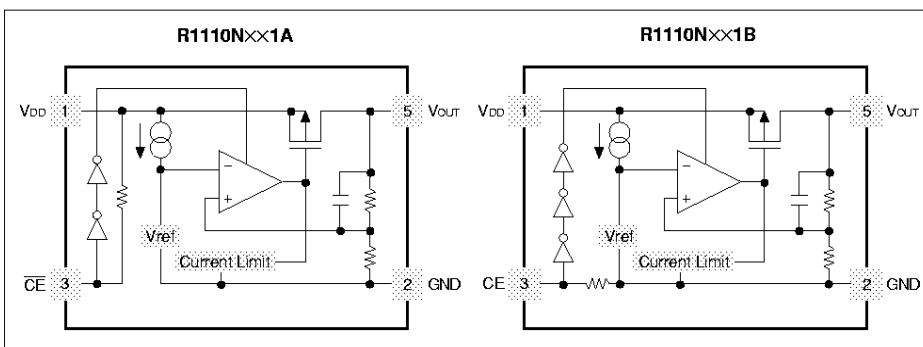
Low Noise 150mA L.D.O. Regulator

The R1110N series are voltage regulator ICs with high output voltage accuracy, lowest supply current, low ON resistance and high ripple rejection. Each model consists of a voltage reference unit, an error amplifier, resistors, a current limit circuit and a chip enable circuit. The Dynamic Response to line and load is fast, so these ICs are very suitable for the power supply for handheld communication equipment.

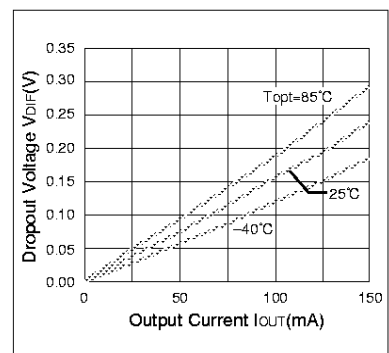
Features

- ultra-low supply currentTYP. 35 μ A
- ultra-low standby currentTYP. 0.1 μ A
- dropout voltageTYP. 0.2V ($I_{OUT}=100\text{mA}$)
- high ripple rejectionTYP. 70dB ($f=1\text{kHz}$)
- high accuracy output voltage $\pm 2.0\%$
- low temperature-drift coefficient of output voltageTYP. $\pm 100\text{ppm}/^\circ\text{C}$
- excellent line regulationTYP. 0.05%/V
- output voltagestepwise setting with a step of 0.1V in the range of 2.0V to 6.0V is possible
- built-in short current limit circuitTYP. 50mA
- provided two types of chip enable circuit“L” active (R1110N $\times\times$ 1A), “H” active (R1110N $\times\times$ 1B)
- small packageSOT-23-5
- pinoutsimilar to the LP2980

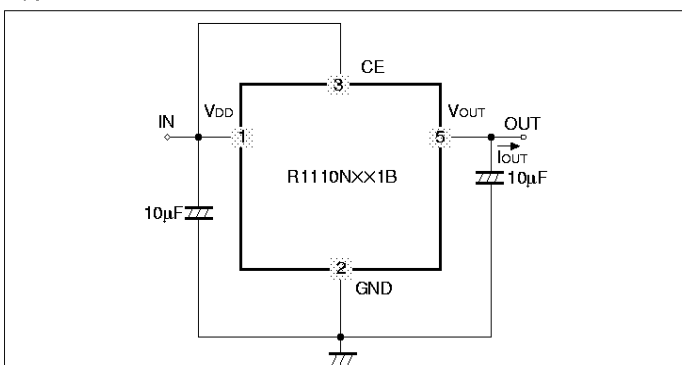
Block Diagram



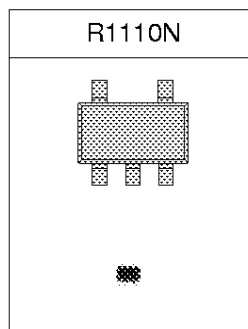
Typical Characteristics R1110N501B



Typical Circuit Configuration



Packages



Applications

- power source for portable communication tools, cameras and VCRs.
- power source for battery-powered equipment.
- power source for domestic appliances.