

LIQUID CRYSTAL DISPLAY MODULE

G121C00P000

G121CB1P000

USER'S MANUAL

Seiko Instruments Inc.

NOTICE

This manual describes the technical information, as well as the functions and operation of the G121C Liquid Crystal Display Module made by Seiko Instruments Inc. Please read this manual carefully to familiarize yourself with the functions so you can make the best use of them.

The descriptions here are subject to change without notice.

Revision Record

<u>Edition</u>	<u>Revision</u>	<u>Date</u>
1	Original	Sept. 1994
2		Oct. 1994
3		June 1995

© Seiko Instruments Inc. 1994

Printed in Japan

CONTENTS

G121C00P000, G121CB1P000

1. SPECIFICATIONS

1.1 General	1
1.2 Features	1
1.3 Absolute Maximum Ratings (excluding LED backlight)	2
1.4 Mechanical Characteristics	2
1.5 Electrical Characteristics (excluding LED backlight)	2
1.6 Optical Characteristics	3
1.7 LCD Panel Lifetime	4
1.8 Dimensions	5

2. CIRCUIT CONFIGURATION

2.1 Liquid Crystal Driving Circuit	6
2.2 Circuit Configuration	8
2.3 Timing Characteristics	12
2.4 Interface Circuit	14

G121CB1P000

3. LED BACKLIGHT

3.1 Absolute Maximum Ratings	18
3.2 Electrical and Optical Characteristics	18
3.3 LED Backlight Connection Diagram	18
3.4 Brightness (panel upper side)	18
3.5 Lifetime	19
3.6 Examples of LED Backlight Drivers	19

G121C00P000, G121CB1P000

4. PRECAUTIONS	21
----------------------	----

INDEX

1. SPECIFICATIONS

1.1 General

The G121C is a very thin LCD module on which a full-dot matrix LCD panel and a CMOS IC driver are integrated. The LCD panel used here features wide viewing angle and high contrast. This full dot configuration allows a wide variety of patterns to be displayed depending upon the input data. The display position is the intersection point of the matrix transparent electrodes. This prevents display distortion and displacement.

1.2 Features

G121C00P000/G121CB1P000

- 128 x 128 full dot matrix configuration
- 1/128 duty, 1/10 bias
- Four-bit parallel data input
- A wide temperature range, gray mode STN LCD panel
- Positive display
 - Display data "H": Display ON: blue display color
 - Display data "L": Display OFF: gray background

G121C00P000

- Dual power supplies : $V_{DD} = +5\text{ V}$, $V_{LC} = -24\text{ V}$ (for driving liquid crystal)
- Reflective type
- Weight : Approx. 59 g

G121CB1P000

- Triple power supplies : $V_{DD} = +5\text{ V}$, $V_{LC} = -24\text{ V}$, LEDA (for driving LED)
- Transflective type
- A built-in LED backlight (color: yellow-green)
- Weight : Approx. 75 g

1.3 Absolute Maximum Ratings (excluding LED backlight)

$V_{SS} = 0\text{ V}$

Item	Symbol	Conditions	Min.	Max.	Unit
Power supply voltage	V_{DD}		0	7.0	V
	V_{LC}		$V_{DD} - 30.0$	V_{DD}	V
	V_O	$V_O \geq V_{LC}$	$V_{DD} - 30.0$	V_{DD}	V
Input voltage	V_{IN}		-0.3	$V_{DD} + 0.3$	V
Operating temperature	T_{opr}	$\leq 65\%RH$	-20	+70	°C
Storage temperature	T_{stg}		-30	+80	°C
Storage humidity		$\leq 48\text{ hrs}$	+20	+85	%RH
		$\leq 1000\text{ hrs}$	+20	+65	%RH

1.4 Mechanical Characteristics

Item	Standard
Dot configuration	128 × 128 dots
Module dimensions (H × V × T) [mm]	G121C00P000 : 86.0 × 95.0 × 7.0 G121CB1P000 : 86.0 × 95.0 × 9.0
Viewing area (H × V) [mm]	67.4 × 67.4
Active display area (H × V) [mm]	62.69 × 62.69
Dot dimensions (H × V) [mm]	0.46 × 0.46
Dot pitch (H × V) [mm]	0.49 × 0.49
Weight [g]	G121C00P000 : 75 max. G121CB1P000 : 100 max.

H : Horizontal V : Vertical T : Thickness (max.)

1.5 Electrical Characteristics (excluding LED backlight)

$V_{DD} = 5\text{ V} \pm 5\%$, $V_{SS} = 0\text{ V}$, $T_a = -20^\circ\text{C}$ to $+70^\circ\text{C}$

Item	Symbol	Conditions	Min.	Typ.	Max.	Unit
Power supply voltage	V_{DD}		4.75	5.00	5.25	V
	V_{LC}	$V_{DD} = 5\text{ V}$ $V_O \geq V_{LC}$	-24.5	-24.0	-23.5	V
	V_O		-23.0	-	-5.0	V
Input voltage	High	V_{IH}	$0.8 V_{DD}$	-	V_{DD}	V
	Low	V_{IL}	0	-	$0.2 V_{DD}$	V
Current consumption*1	I_{DD}	$V_{DD} = 5\text{ V}$, $T_a = 25^\circ\text{C}$ $V_O = -15.0\text{ V}$ $f_{FLM} = 70\text{ Hz}$	-	4.3	8.6	mA
	I_{LC}		-	4.1	8.2	mA
Frame frequency	f_{FLM}		65	70	75	Hz

*1 Display patterns: checkered patterns.
Display data shift clock frequency: $f_{CL2} = 3.0\text{ MHz}$

1.6 Optical Characteristics

1.6.1 G121C00P000

1/128 duty, 1/10 bias, $f_{FLM} = 70 \text{ Hz}$, $V_{opr} = V_{DD} - V_O$

Item	Symbol	Conditions	Temp.	Min.	Typ.	Max.	Unit	Reference
Viewing angle	θ_1	$C \geq 2.0$ $\varnothing = 0^\circ$ $V_{opr} = 20.0 \text{ V}$	25°C	-	-	- 5	Degree	Notes 1 & 2
	θ_2			50	-	-		
	$\theta_2 - \theta_1$			55	-	-		
Contrast	C	$\theta = 0^\circ$ $\varnothing = 0^\circ$ $V_{opr} = 20.0 \text{ V}$	25°C	2.5	3.5	-	-	Note 3
Response time	t_{on}	$\theta = 0^\circ$ $\varnothing = 0^\circ$ $V_{opr} = 20.0 \text{ V}$	25°C	-	150	240	ms	Note 4
	t_{off}			-	110	180		
	t_{on}	$\theta = 0^\circ$ $\varnothing = 0^\circ$ $V_{opr} = 21.5 \text{ V}$	- 10°C	-	1060	1700		
	t_{off}			-	500	800		
	t_{on}	$\theta = 0^\circ$ $\varnothing = 0^\circ$ $V_{opr} = 22.0 \text{ V}$	- 20°C	-	2860	4600		
	t_{off}			-	780	1300		

Measuring instrument : Canon illuminometer LC-35

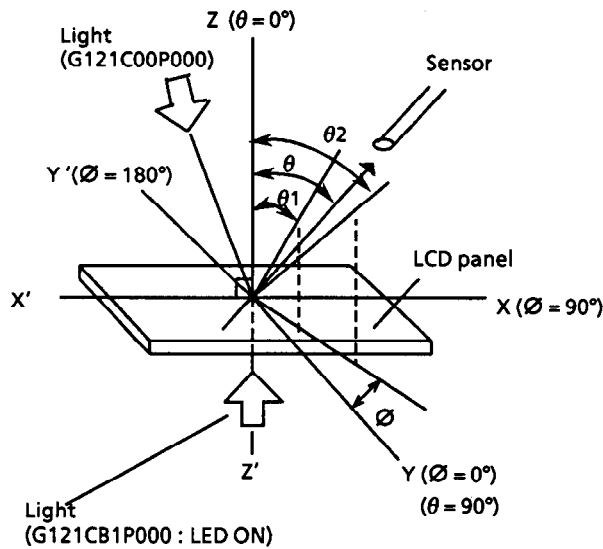
1.6.2 G121CB1P000

1/128 duty, 1/10 bias, $f_{FLM} = 70 \text{ Hz}$, $V_{opr} = V_{DD} - V_O$, LED backlight: ON

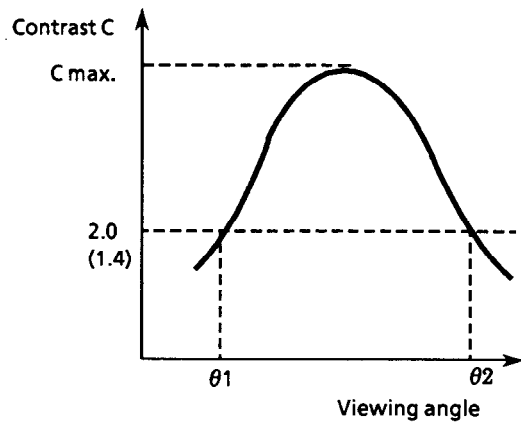
Item	Symbol	Conditions	Temp.	Min.	Typ.	Max.	Unit	Reference
Viewing angle	θ_1	$C \geq 1.4$ $\varnothing = 0^\circ$ $V_{opr} = 20.0 \text{ V}$	25°C	-	-	- 20	Degree	Notes 1 & 2
	θ_2			30	-	-		
	$\theta_2 - \theta_1$			50	-	-		
Contrast	C	$\theta = 0^\circ$ $\varnothing = 0^\circ$ $V_{opr} = 20.0 \text{ V}$	25°C	2.0	2.4	-	-	Note 3
Response time	t_{on}	$\theta = 0^\circ$ $\varnothing = 0^\circ$ $V_{opr} = 20.0 \text{ V}$	25°C	-	150	240	ms	Note 4
	t_{off}			-	110	180		
	t_{on}	$\theta = 0^\circ$ $\varnothing = 0^\circ$ $V_{opr} = 21.5 \text{ V}$	- 10°C	-	1060	1700		
	t_{off}			-	500	800		
	t_{on}	$\theta = 0^\circ$ $\varnothing = 0^\circ$ $V_{opr} = 22.0 \text{ V}$	- 20°C	-	2860	4600		
	t_{off}			-	780	1300		

Measuring instrument : Canon illuminometer LC-35

Note 1: Definition of angle θ and \varnothing



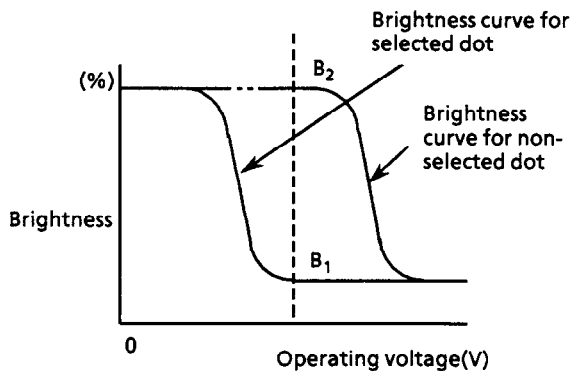
Note 2: Definition of viewing angles θ_1 and θ_2



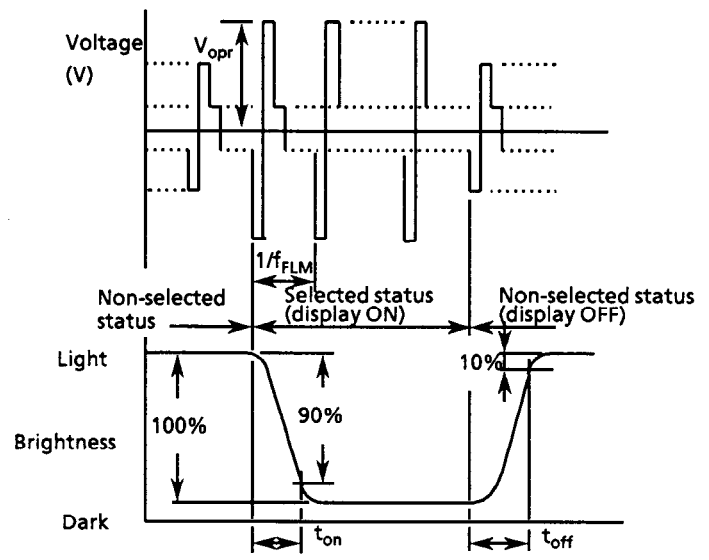
Remark : The optimum viewing angle by visual inspection and angle θ at C_{max} do not always match.

Note 3: Definition of contrast (C)

$$C = \frac{\text{Brightness of non-selected dot } B_2}{\text{Brightness of selected dot } B_1}$$



Note 4: Definition of response time



V_{opr} : Operating voltage t_{on} : Response time (rise)
 f_{FLM} : Frame frequency t_{off} : Response time (fall)

Note: Measurement must be made using a G121C transmissive LCD panel.

Figure 1 Definition

1.7 LCD Panel Lifetime

Item	Conditions	Standard	Unit
Lifetime*	25°C ± 10°C < 65% RH	100,000 or more	hrs

* Definition of lifetime: the time up to occurrence of any of the following:

- Contrast reduces to 30% of the initial value.
- Current consumption becomes three times the initial value.
- Orientation deteriorates significantly.
- The display malfunctions.

1.8 Dimensions

Unit : mm
General tolerance : ± 0.5

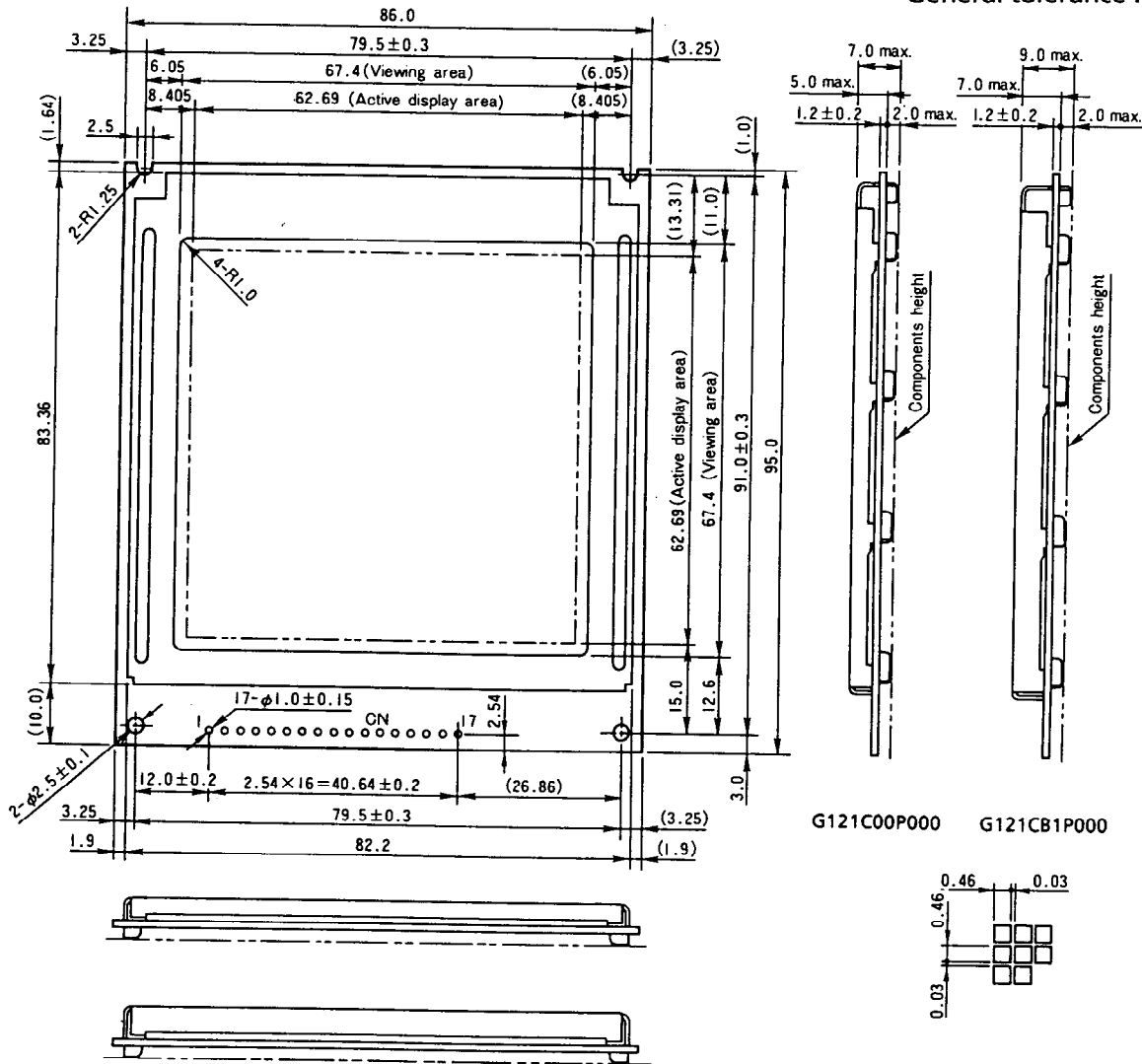


Figure 2 Dimensions

[I/O terminal functions]

No.	Symbol	Functions
1	V _{DD}	Power supply for logic : + 5 V
2	F _{GND}	Frame ground*1
3	CL2	Display data shift clock
4	INH	Display ON/OFF control terminal*2
5	FLM	One-frame timing signal
6	CL1	One-common-line timing signal
7	V _{SS}	GND : 0 V
8	M	NC
9	D0	Display data input

No.	Symbol	Functions
10	D1	Display data input
11	D2	Display data input
12	D3	Display data input
13	V _{LC}	Power supply for LC drive : - 24 V
14	V _O	Liquid crystal drive voltage adjustment terminal
15	V _{SS}	GND : 0 V
16	NC/LEDA	— *3
17	NC/LEDC	— *3

*1 The F_{GND} terminal is connected to the module metal frame. Use this terminal to ground the frame.

*2 The display is ON when INH is H, and OFF when L.

*3 G121C00P000 : NC

G121CB1P000 : Power supply for LED drive(No.16 : LEDA, No.17 : LEDC)

2. CIRCUIT CONFIGURATION

2.1 Liquid Crystal Driving Circuit

The G121C LCD panel drive waveform is shown in Figure 3. Since DC voltage will damage the liquid crystal, AC voltage is applied between the two frames. The signal controlling this is the liquid crystal AC drive control signal *M*.

Depending on the LCD panels, increasing the liquid crystal AC drive waveform frequency may improve the display quality. The G121C contains a circuit that generates AC drive control signal *M'*, which has a higher frequency than that of *M*. The frequency of the *M'* signal is adjusted according to the LCD panel to provide the best display quality.

The frame frequency is normally set to 70 ± 5 Hz to prevent screen flicker.

The G121C has a 1/128 duty cycle, and the common electrodes are selected within a frame by time division from electrode 1 to electrode 128. This is called line sequential scanning. The voltage level of the segment electrodes determines whether or not the dots at the intersection of the segment electrodes are selected when the common electrode is selected. As shown in Table 1, there are six drive waveform voltage levels, V_a to V_f . The voltage level is determined by the bias value. The voltage between the segment and common electrodes is then applied to the liquid crystal. The selection waveform for SEG_0-COM_0 and the non-selection waveform for SEG_1-COM_1 are shown in Figure 3. The size of the effective voltage of the waveform determines whether the liquid crystal under the selected dots is in the selection or non-selection state.

Table 1

V_a	Common and segment selection level
V_b	Common non-selection level
V_c	Segment non-selection level
V_d	Segment non-selection level
V_e	Common non-selection level
V_f	Common and segment selection level

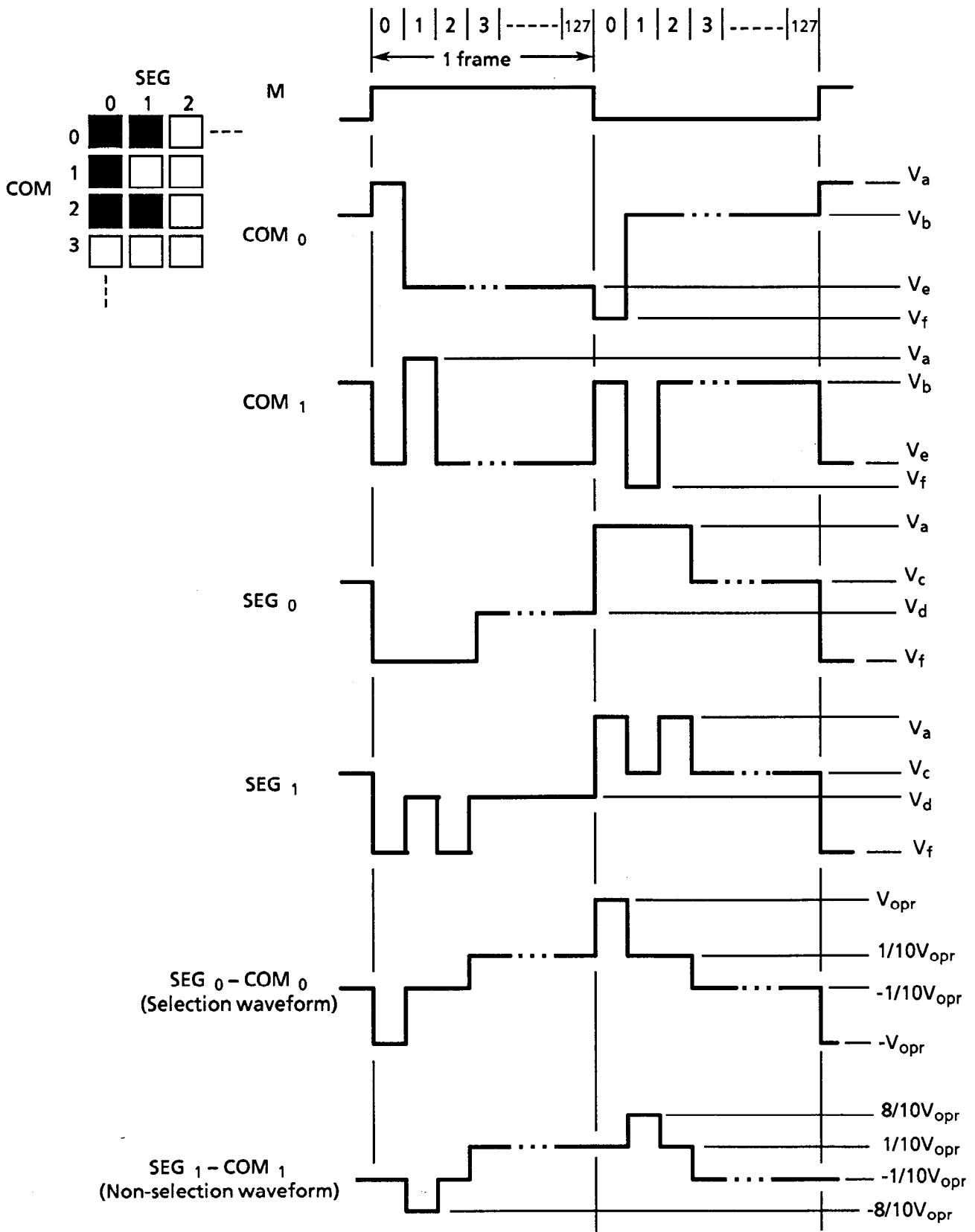
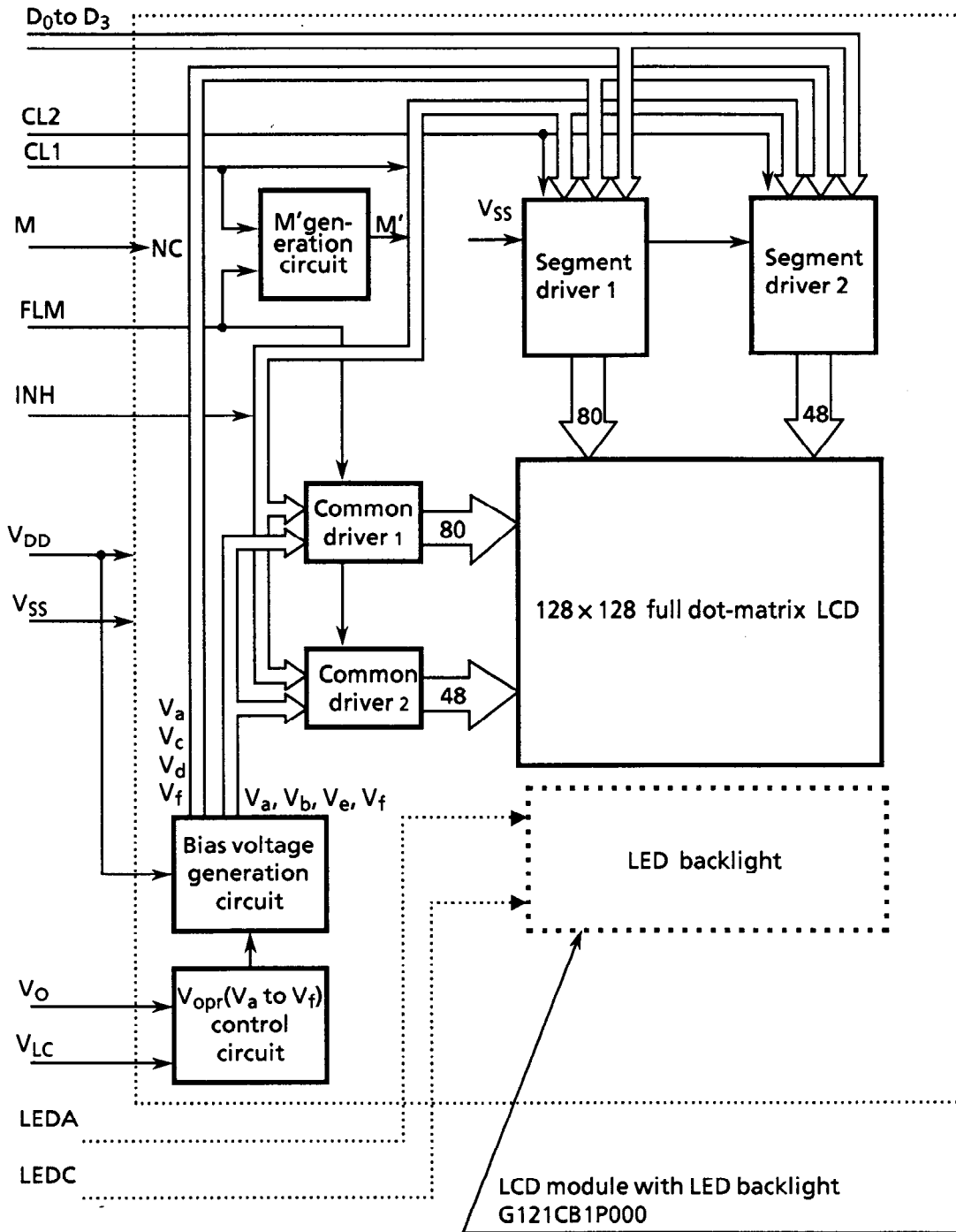


Figure 3 Drive Waveform

2.2 Circuit Configuration

The G121C consists of common drivers, segment drivers, a bias voltage generation circuit, an M' generation circuit and a V_{opr} control circuit. Figure 4 shows the block diagram for the G121C.



Common drivers : HD66205TF
 Segment drivers : HD66204TF

Figure 4 Block Diagram for G121C

(1) Common driver (HITACHI HD66205TF)

A common driver (CD) is a CMOS IC with 80 drive outputs. The G121C has two CDs, whose internal registers are connected to each other. They operate as follows.

Input one-frame timing signal (FLM) is taken into the internal shift register by the falling edge trigger of the one-common-line timing signal (CL1), and sequentially shifted. After 128-CL1 input, the next FLM is input and the same operation is repeated. As shown in Table 2, the common output is selected according to the shift register contents and the internally-generated liquid crystal AC drive control signal (M') in the drive circuit, and the common drive waveform are formed.

Table 2 Common Output

INH	Shift register content	M'	COM output	Display
H	H	H	V_a	ON
		L	V_f	
	L	H	V_e	
		L	V_b	
L	X	X	V_a	OFF

x: Invalid

The common output is controlled by the INH signal; when the INH signal is low, the common output is V_a , irrespective of the shift register contents or the M' signal.

(2) Segment driver (HITACHI HD66204TF)

A segment driver (SD) is a CMOS IC with 80 drive outputs. The G121C has two SDs, which operate as follows.

Input four-bit data is sequentially taken into the internal register by the falling edge trigger of the display data shift clock (CL2). The SDs have a chip enable function. After 80 bits of data are taken into SD1, the next bit of data is automatically taken into SD2. Since G121C has two SDs, 128 bits of data can be taken. The display data taken into the internal register are latched by the falling edge trigger of CL1. The segment output is selected according to this display data and M' in the drive circuit, and the segment drive waveform is formed as shown in the Table 3.

Table 3 Segment Output

INH	Display data	M'	SEG output	Display
H	H	H	V_f	ON
		L	V_a	
	L	H	V_d	
		L	V_c	
L	X	X	V_a	OFF

x: Invalid

The segment output is controlled by the INH signal. When the INH signal is low, V_a is output to the segment, irrespective of the display data and of the M' signal.

Therefore, by bringing the INH signal to low, V_a is output both to the common and to the segment electrodes, making the voltage applied to the liquid crystal zero, and the display goes off.

The relationship between the display data and display screen is shown below..

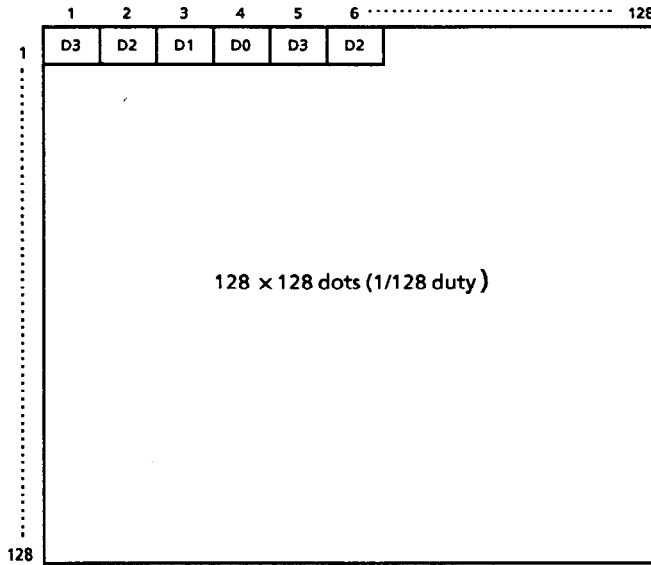


Figure 5 Relationship between the Display Data and Display Screen

(3) V_{opr} control circuit

Display screen contrast and viewing angle are affected by changes in the liquid crystal operating voltage (V_{opr}). As shown in Figure 6, external V_{LC} is supplied to the operational amplifier and V_{opr} (V_a to V_f) is generated and applied to the LCD panel.

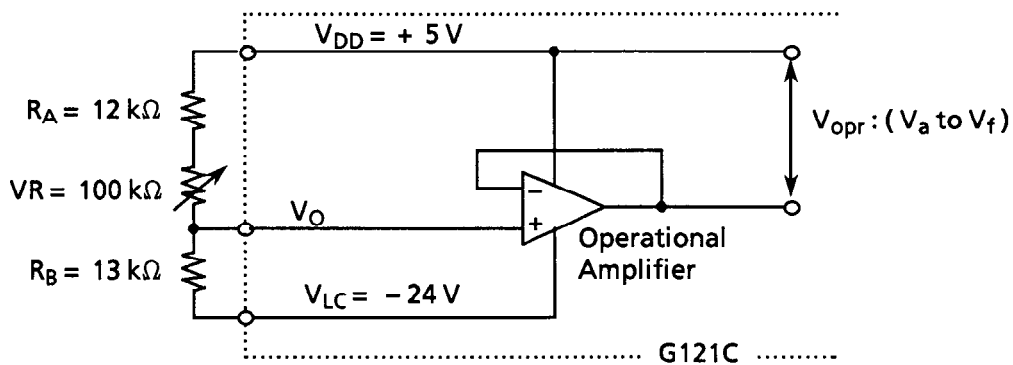


Figure 6 V_{opr} Control Circuit

Also, display screen contrast and viewing angle are influenced by the ambient temperature. The recommended V_{opr} level at different temperatures is as follows.

Table 4 Liquid Crystal Operating Voltage

Temperature (°C)	-20	0	25	50	70
Liquid crystal operating voltage (V_{opr})* (V)	22.0	21.5	20.0	19.0	18.0

* $V_{opr} \approx V_{DD} - V_O$

(4) Bias voltage generation circuit

Six voltage levels, V_a to V_f , are applied to the common and segment drivers. The voltage is generated through operational amplifiers by resistance division from the liquid crystal operating voltage (V_{opr}). Here, an operational amplifier is used as a voltage follower.

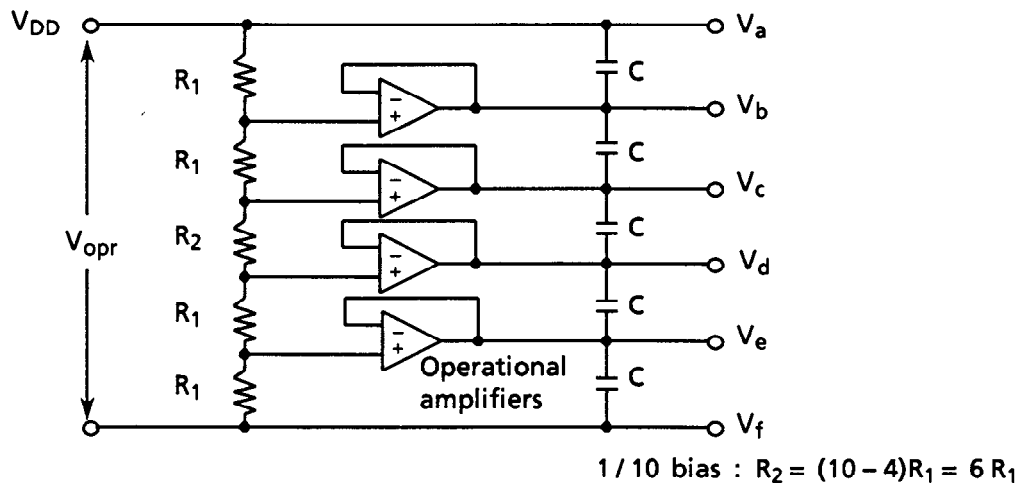


Figure 7 Bias Voltage Generation Circuit

(5) M' generation circuit

As Figure 8 shows, the M' generation circuit performs an XOR on the one-common-line timing signal (CL1) (on which A time division is performed) and the one-frame timing signal (FLM) (on which B time division is performed), and outputs liquid crystal AC drive control signal M' . Values A and B are set according to the LCD panel so that the best display quality can be obtained and the drive voltage can be changed.

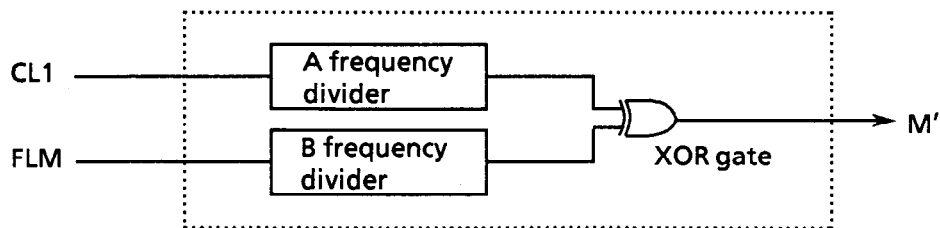


Figure 8 M' Generation Circuit

2.3 Timing Characteristics

2.3.1 Power ON/OFF and Signal Input Timing

Power ON/OFF and signal input should be performed according to the timing shown in the figure below in order not to damage the LCD driving circuit and the LCD panel.

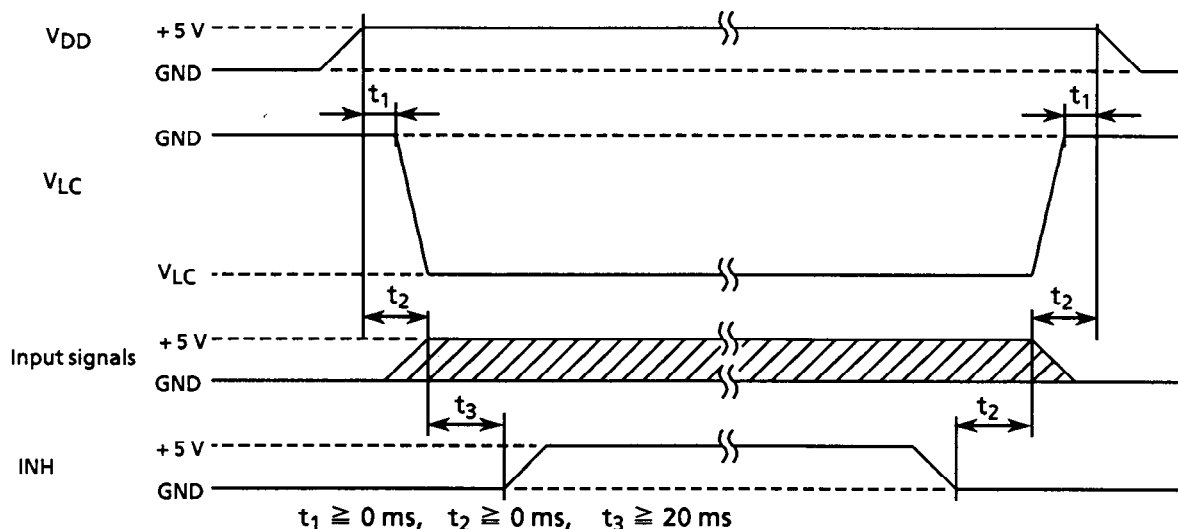


Figure 9 Power ON/OFF and Signal Input Timing

2.3.2 Timing Characteristics

$T_a = -20^\circ\text{C to } 70^\circ\text{C}$ $V_{DD} = 5.0\text{V} \pm 5\%$ $V_{SS} = 0\text{V}$

Item	Symbol	Min.	Typ.	Max.	Unit
FLM cycle time	t_{CFLM}	13.3	14.3	15.4	ms
CL1 cycle time	t_{CCL1}	10	111.6	—	μs
CL1 high level width	t_{WCL1H}	50	—	—	ns
CL1 low level width	t_{WCL1L}	1	—	—	μs
CL1 rise time	t_{RCL1}	—	—	30	ns
CL1 fall time	t_{FCL1}	—	—	30	ns
FLM setup time	t_{FLMS}	100	—	—	ns
FLM hold time	t_{FLMH}	100	—	—	ns
Allowable M delay time	t_{DM}	—	—	300	ns
CL2 cycle time	t_{CCL2}	125	—	—	ns
CL2 high level width	t_{WCL2H}	45	—	—	ns
CL2 low level width	t_{WCL2L}	45	—	—	ns
CL2 rise time	t_{RCL2}	—	—	50*	ns
CL2 fall time	t_{FCL2}	—	—	50*	ns
Data setup time	t_{DS}	20	—	—	ns
Data hold time	t_{DH}	20	—	—	ns
CL2 rise to CL1 rise	t_{LD}	—	—	—	ns
CL2 fall to CL1 fall	t_{SL}	80	—	—	ns
CL1 rise to CL2 rise	t_{LS}	—	—	—	ns
CL1 fall to CL2 fall	t_{LH}	80	—	—	ns

* $t_{RCL2}, t_{FCL2} < \frac{t_{CCL2} - t_{WCL2H} - t_{WCL2L}}{2}$

Timing Chart 1: Timing of Signal Input Into Common Driver

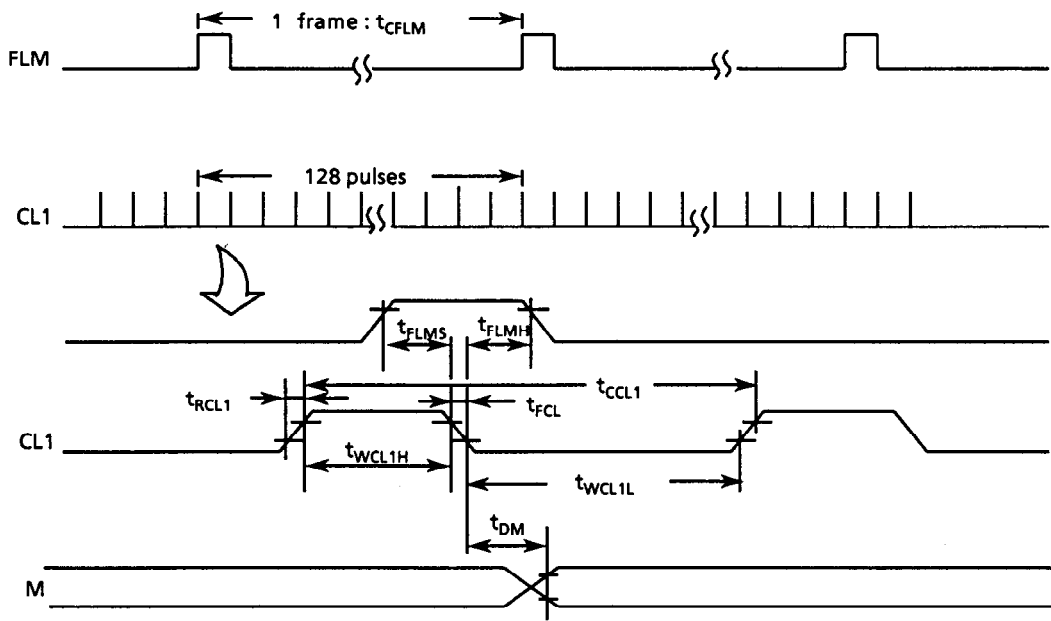


Figure 10

Timing Chart 2: Timing of Signal Input Into Segment Driver

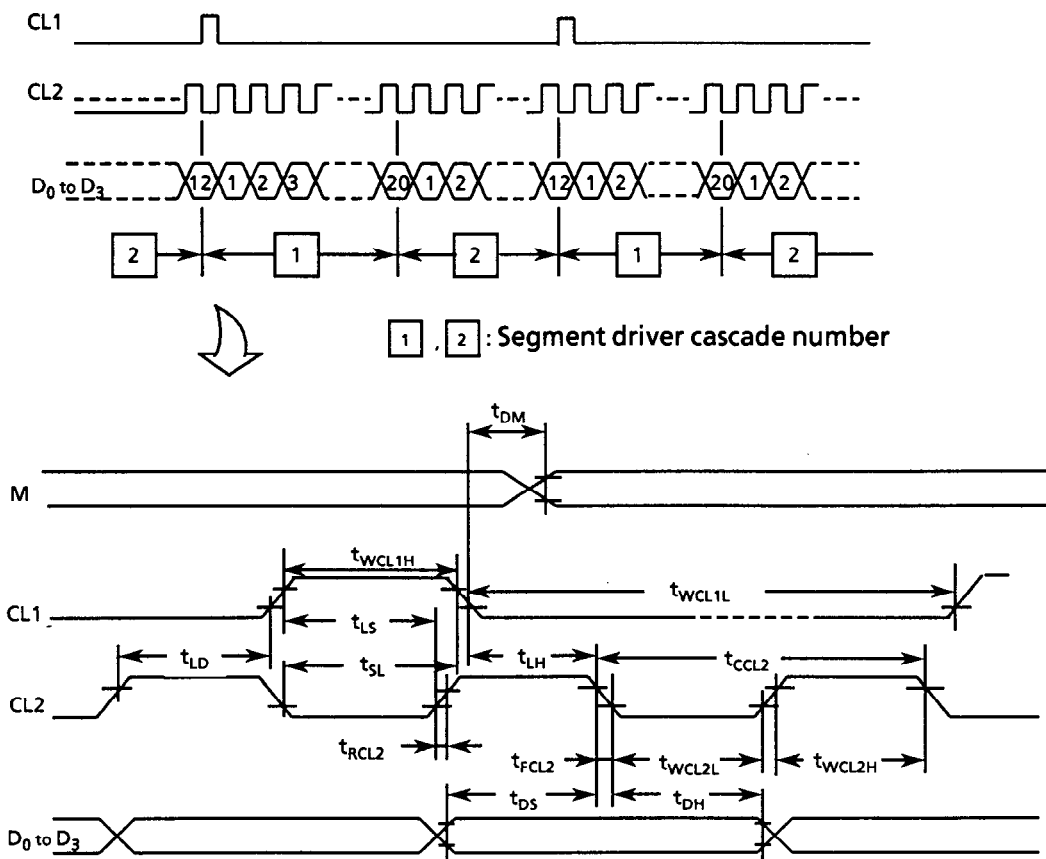


Figure 11

2.4 Interface Circuit

2.4.1 Interface with MPU signal

The G121C00P000 and the G121CBIP000 are controlled by the MPU circuit, whose interface is easily set up when the LCD controller is used. The LCD controller has basic functions such as receiving information related to the display from the MPU circuit, sending display timing signals and display data to the LCD module, as well as other functions such as cursor display.

The G121C must use an LCD controller conforming to the following:

- For a full dot-matrix LCD module
- Where data is transferred to the LCD module in four-bit parallel
- Where G121C display screen has 1/128 duty

The following section gives examples of interfaces using the Oki MSM6255GSK, Seiko Epson SED1330F/1335F, and Hitachi HD64646FS controllers.

(1) OKI MSM6255GSK

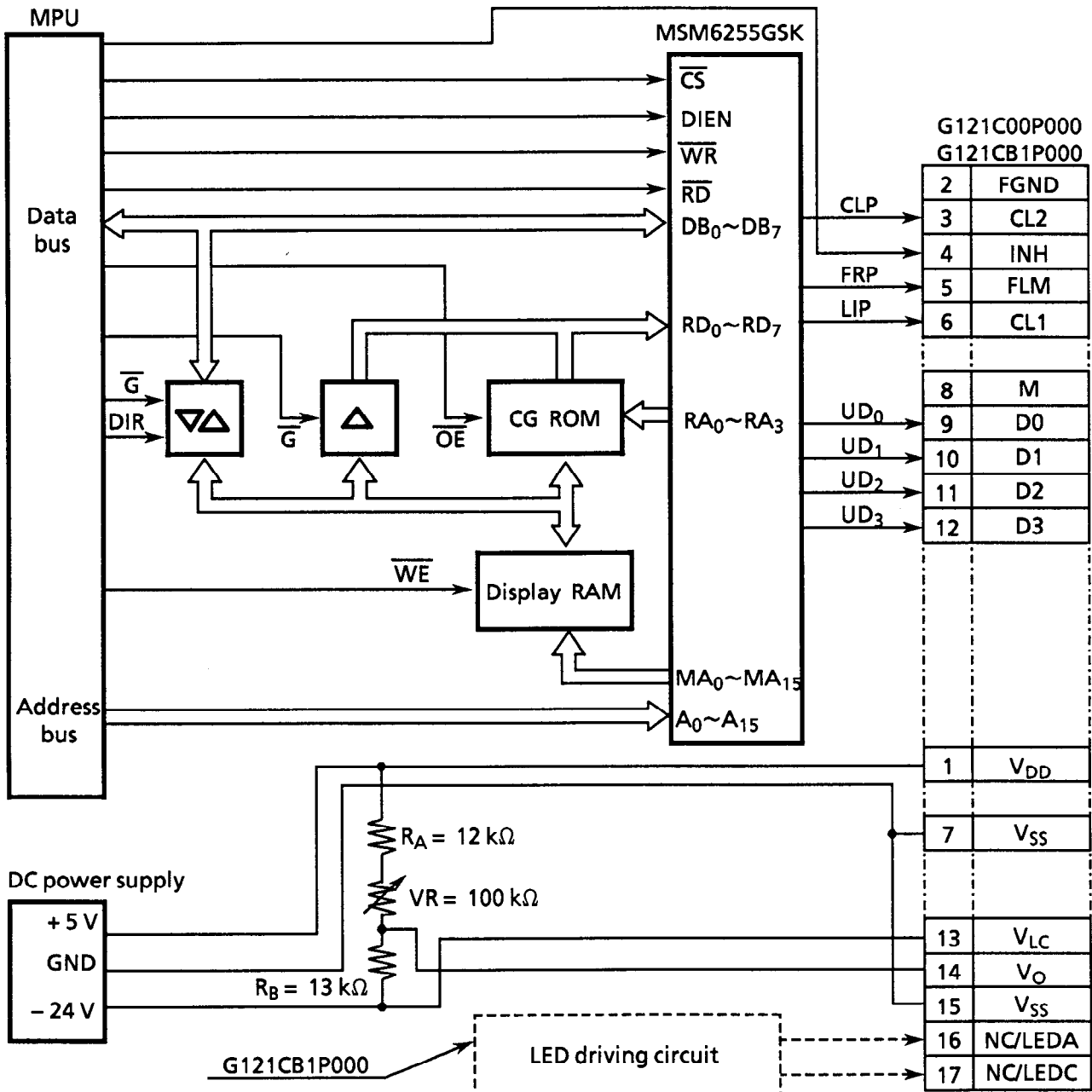


Figure 12 Interface Circuit With MSM6255GSK

Features of the MSM6255GSK:

- Interface with 80-series MPU possible
- Cursor
 - ON/OFF
 - Blinking speed, form, and position are programmable
- Scrolling and paging
- CMOS process
- Power supply voltage 5V ± 10%

(2) SEIKO EPSON SED1330F/1335F

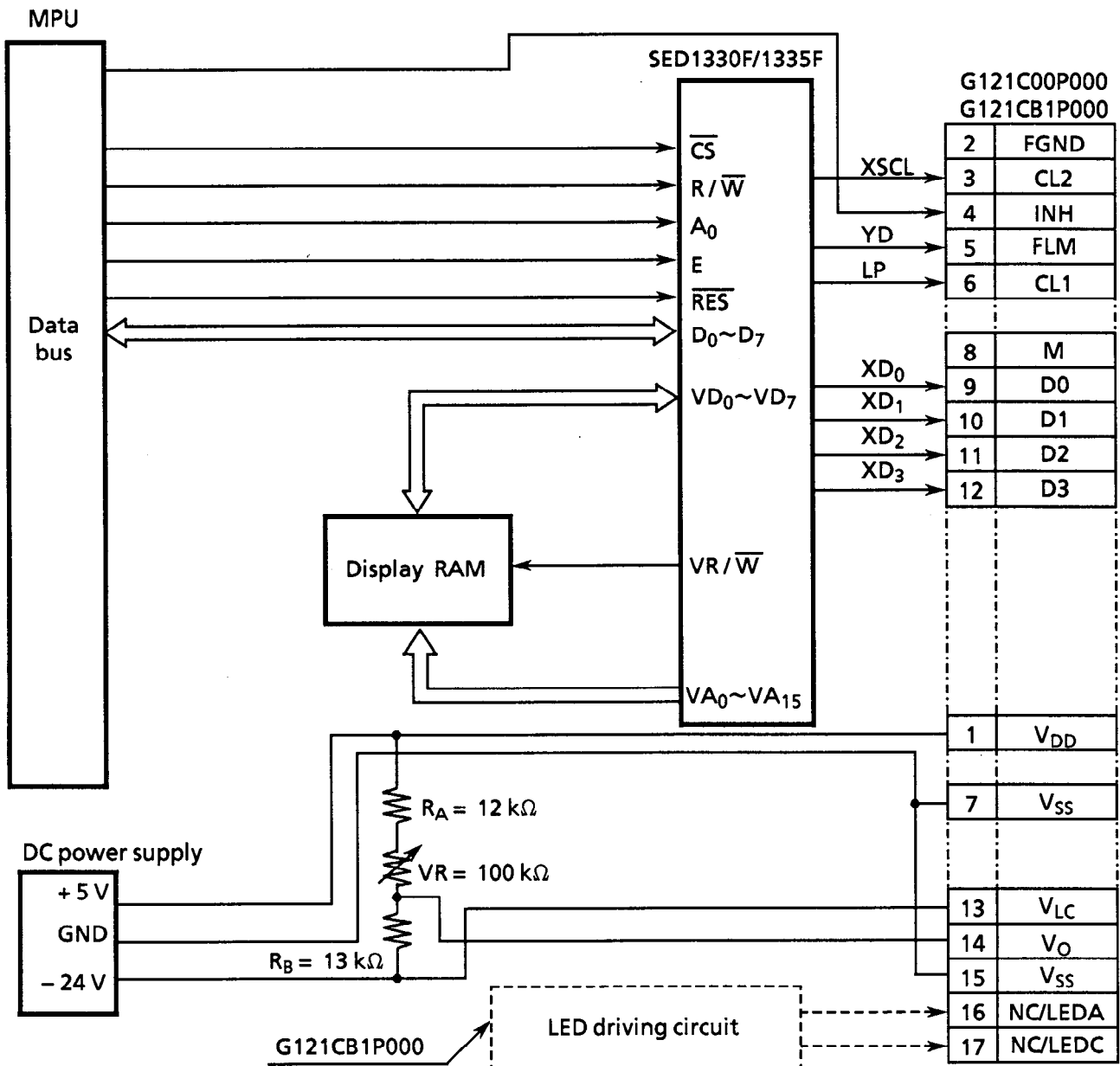


Figure 13 Interface Circuit With SED1330F/SED1335F

Features of the SED1330F/1335F:

- Interface with 80-series or 68-series MPU possible
- Built-in character generator ROM: 160 kinds
- External character generator
 - CG RAM : (8 × 16 dot matrix) × 64 kinds
 - CG ROM : (8 × 16 dot matrix) × 256 kinds
- Layered mode : AND, OR, XOR, "preferred" OR
- CMOS process
- Scrolling (vertical and horizontal)
- Power supply voltage 5 V ± 10% (SED1330F)

2.7 to 5.5 V (SED1335F)

(3) HITACHI HD64646FS

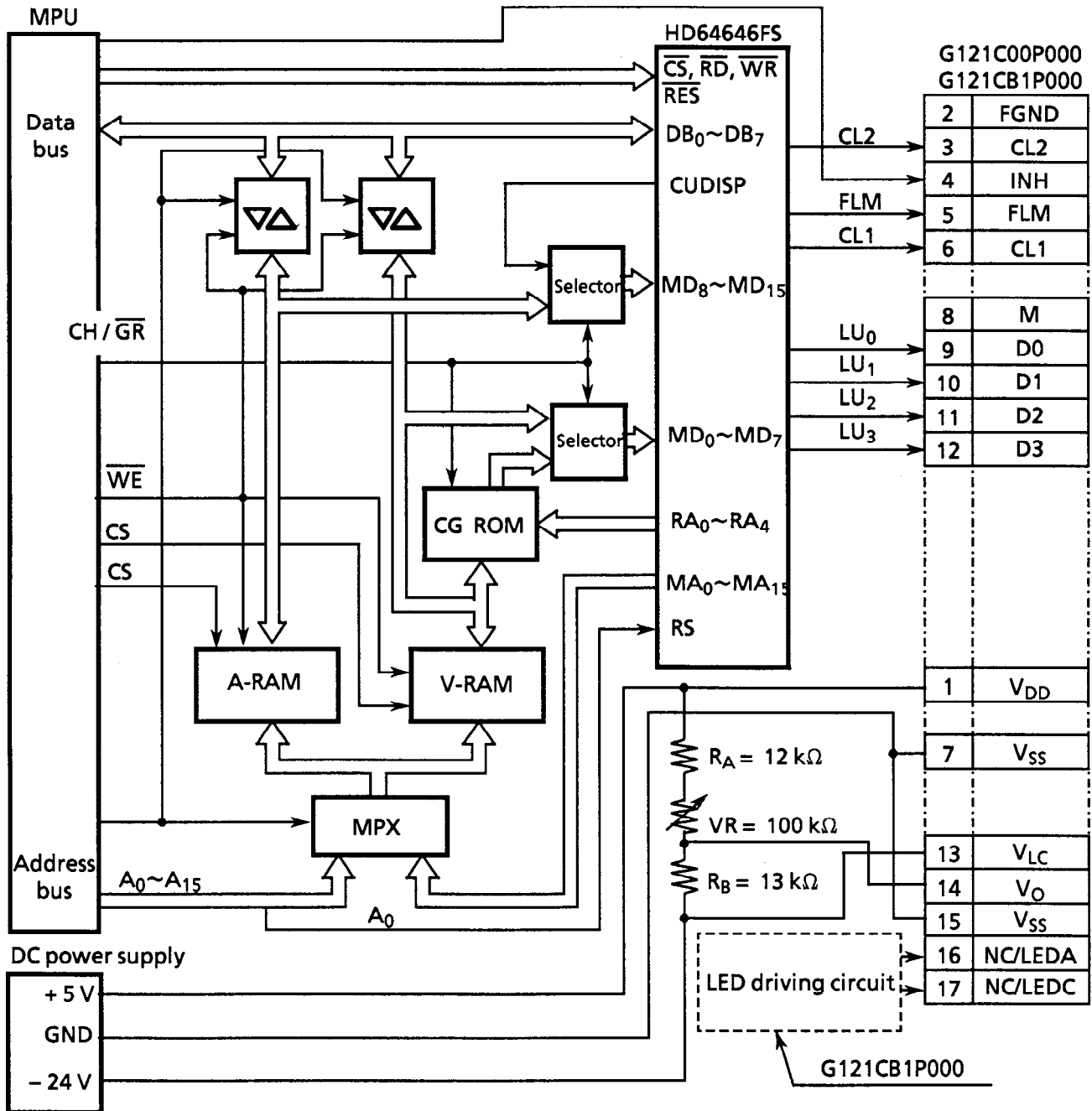


Figure 14 Interface Circuit With HD64646FS

Features of the HD64646FS:

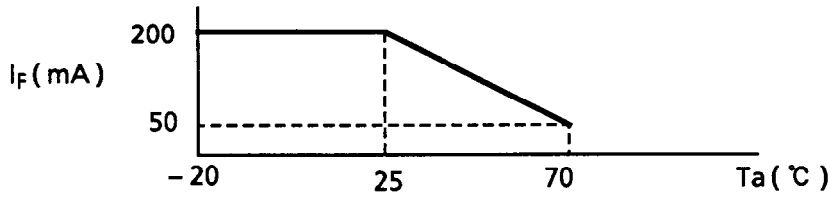
- Interface with 80-series MPU possible
- Layered mode : OR (character and graphics)
- Character reverse, blinking, all black, all white
- Cursor
 - ON/OFF
 - Blinking speed, form and position are programmable
- Character font
 - Vertical : 1 to 32 dots
 - Horizontal : 8 dots
- Scrolling
 - Vertical : smooth or character unit
 - Horizontal : character unit
- CMOS process
- Power supply voltage $5\text{ V} \pm 10\%$

3. LED BACKLIGHT (G121CB1P000)

3.1 Absolute Maximum Ratings

Item	Symbol	Standard	Unit
DC forward current	I_F	200*	mA
DC reverse voltage	V_R	8	V
Allowable dissipation	P_D	950	mW
Operating temp. range	T_{opr}	- 20 to + 70	°C
Storage temp. range	T_{stg}	- 30 to + 80	°C

* Forward current reduction characteristics: The absolute maximum rating of the forward current varies depending on ambient temperature.

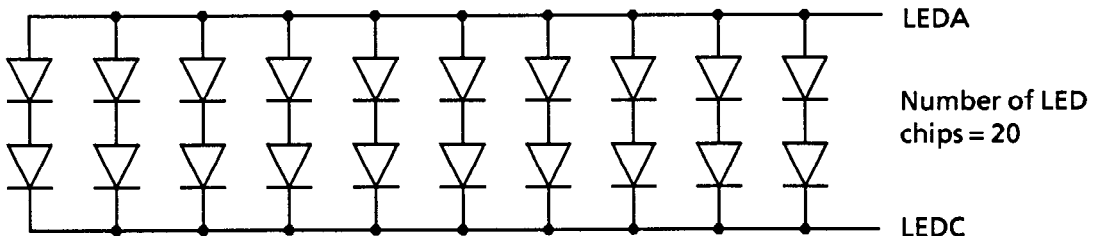


3.2 Electrical and Optical Characteristics

$T_a = 25^\circ\text{C}$

Item	Symbol	Meas. condition	Min.	Typ.	Max.	Unit
Forward voltage	V_F	$I_F = 100 \text{ mA}$	3.7	4.1	4.5	V
Reverse current	I_R	$V_R = 8 \text{ V}$	-	-	300	μA

3.3 LED Backlight Connection Diagram



3.4 Brightness (panel upper side)

Item	Symbol	Min.	Typ.	Max.	Unit
Surface brightness (Center of LCD panel)	B_p	1.0	1.7	-	nit

Measurement conditions and a measuring instrument are:

- $T_a = 25^\circ\text{C} \pm 3^\circ\text{C}$
- 30% to 85% RH
- $I_F = 100 \text{ mA}$
- $f_{FRM} = 70 \text{ Hz}$
- $V_{LC} = \text{Optimum LC drive voltage}$
- Display OFF (Entire display data = "L")
- Measured 30 minutes after LED lights
- Measuring instrument: BM - 7 (TOPCON)

3.5 Lifetime

Item	Measurement conditions	Standard	Unit
Lifetime*	Ta = 25°C ± 10°C If = 100 mA	50,000 or more	hrs

* Definition of lifetime: The time until the brightness decreases to half of the initial brightness.

3.6 Examples of LED Backlight Drivers

(1) Example 1

A basic LED backlight driver example is shown in Figure 15.

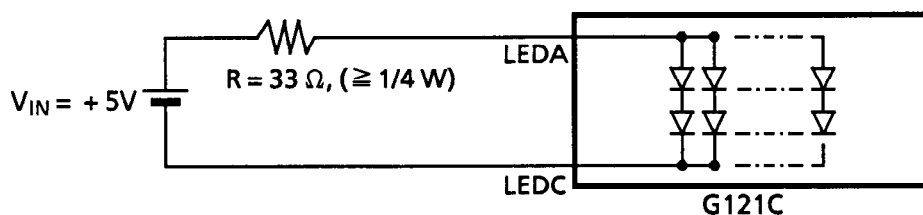


Figure 15 LED Backlight Driver Example 1

Where resistance "R" is the limit resistance of the LED forward current. The forward current depends upon the temperature. Especially, it must be decreased at high temperature. For temperature dependence, refer to forward current reduction characteristics described in 3.1. The operating temperature for the G121C ranges from -20°C to +70°C. It is necessary to determine limit resistance "R" so that the forward current becomes 50 mA or lower at +70°C.

Forward voltage V_F at each temperature of the LED backlight is shown in Table 5.

Table 5 Forward Voltage At Temperatures

Temperature (Ta)	Conditions	V_F min.	V_F typ.	V_F max.
-20°C	$I_F = 100$ mA	3.9 V	4.3 V	4.7 V
+25°C	$I_F = 100$ mA	3.7 V	4.1 V	4.5 V
+70°C	$I_F = 50$ mA	3.4 V	3.6 V	3.9 V

Limit resistance "R" is calculated using the following equation. The resistance becomes the value shown in Figure 15.

$$R = \frac{V_{IN} - V_F}{I_F} \quad (\Omega)$$

V_{IN} = Input voltage (power voltage)(V)
 V_F = LED forward voltage (V)
 I_F = Allowable LED forward current (A)

For this resistance value, the forward current becomes lower than 50 mA at 25°C. The surface brightness of the LED backlight varies with the forward current. See Figure 16. Compared with 3.4 brightness ($I_F = 100$ mA), the brightness is about 30%.

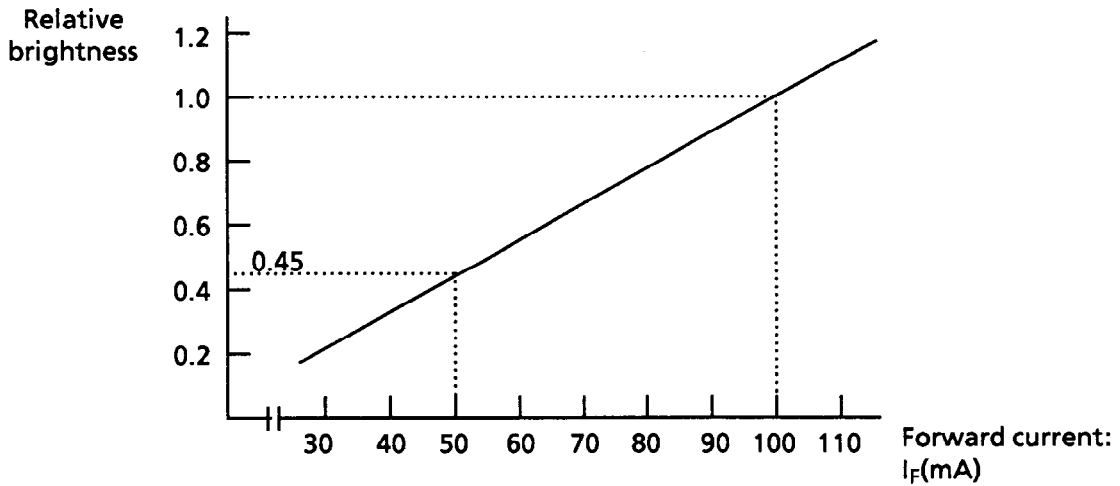


Figure 16 Forward Current-Brightness Characteristics ($T_a = 25^\circ\text{C}$)

(2) Example 2

When you want to keep the brightness (2 nit) at 25°C , use a thermosensitive element, like a thermistor, and a transistor as shown in Figure 17. Set the thermosensitive element to about $I_F = 100\text{ mA}$ at 25°C and configure it so that " I_F " will be reduced as the temperature rises.

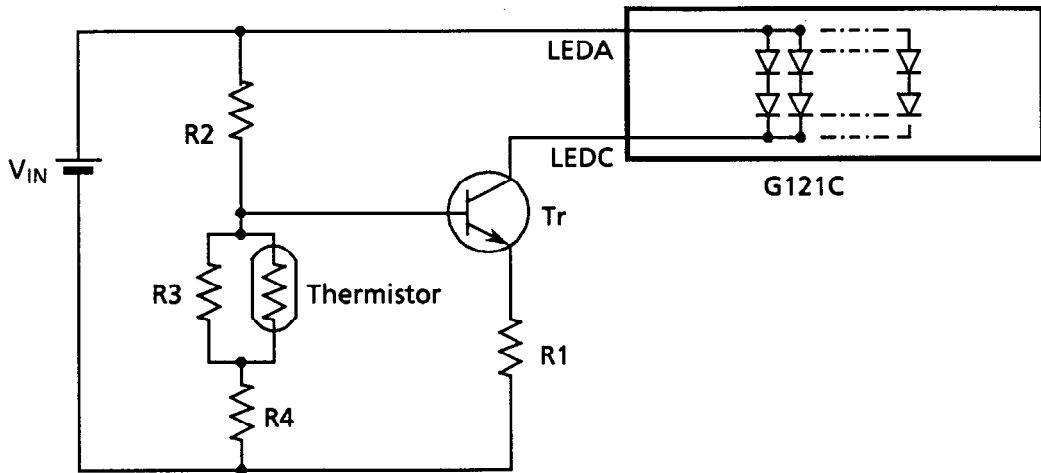


Figure 17 LED Backlight Driver Example 2

4. PRECAUTIONS

Safety

- If the LCD panel is damaged, be careful not to get the liquid crystal in your mouth and not to be injured by crushed glasses.
- If you should swallow the liquid crystal, first, wash your mouth thoroughly with water, then, drink a lot of water and induce vomiting; and then, consult a physician.
- If the liquid crystal should get in your eye, flush your eye with running water for at least fifteen minutes.
- If the liquid crystal touches your skin or clothes, remove it and wash the affected part of your skin or clothes with soap and running water.
- Use the LCD module within the rated voltage to prevent overheating and/or damage. Also, take steps to ensure that the connector does not come off.

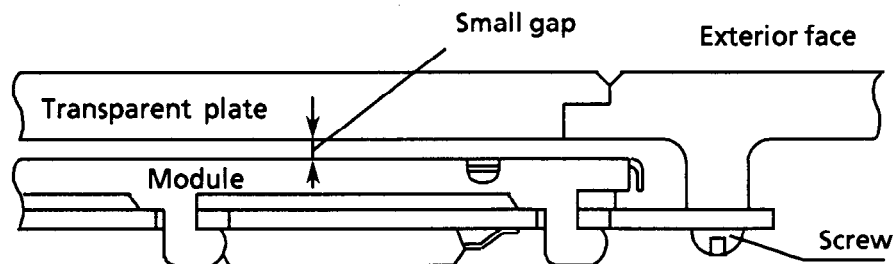
Handling

- Avoid static electricity, as it will damage the CMOS LSI.
- The LCD panel is made of plate glass. Do not hit, crush, or bend it.
- Do not remove the panel or frame from the module.
- The polarizer of the display is very fragile. Handle it with care.

Mounting and design

- Mount the module using the specified mounting parts and holes.
- To protect the module against external pressure, place a transparent plate (e.g., acrylic or glass) on the module, leaving a small gap between the display surface and transparent plate.

☆Example



- Keep the module dry. Avoid condensation to prevent the transparent electrodes from being damaged.

Storage

- Store the module in a dark place, where the temperature is $25\text{ }^{\circ}\text{C} \pm 10\text{ }^{\circ}\text{C}$ and the relative humidity is below 65%.
- Do not store the module near organic solvents or corrosive gases.
- Keep the module (including accessories) safe from vibration, mechanical shock and external pressure.
- Black or white air-bubbles may be produced if the module is stored for a long time in the lower temperature or mechanical shocks are applied onto the module.

Cleaning

- Do not wipe the polarizer with a dry cloth, as it may scratch the surface.
- Wipe the module gently with a soft cloth soaked with a petroleum benzene.
- Do not use ketonic (ketone) solvents (ketone and acetone) or aromatic solvents (toluene and xylene), as they may damage the polarizer.

Index

-A-	Allowable dissipation	18
-B-	Bias value	6
	Bias voltage generation circuit	8, 11
	Block diagram	8
	Brightness	18, 19, 20
-C-	Chip enable function	9
	Cleaning	21
	Common drive waveform	9
	Common driver	8, 9, 13
	Contrast	3, 4
	Current consumption	2
-D-	Definition of contrast	4
	Definition of response time	4
	Definition of viewing angles	4
	Display data input	5
	Display data shift clock	2, 5, 9
	Display ON/OFF control terminal	5
	Drive waveform	6, 7
-E-	Effective voltage	6
-F-	Flicker	6
	Forward current	18, 19
	Forward current reduction characteristics	18, 19
	Forward voltage	18, 19
	Frame frequency	2, 4, 6
	Frame ground	5
-H-	HITACHI HD64646FS	14, 17
-I-	Input voltage	1, 2
	Interface	14
	I/O terminal functions	4

-L-	LCD controller	14
	Life time	4, 19
	Limit resistance	19
	Liquid crystal drive voltage adjustment terminal	5
	Liquid crystal AC drive control signal	6, 9, 11
	Liquid crystal operating voltage	10
-M-	M' generation circuit	8, 11
-N-	Non-selection waveform	5, 6
-O-	OKI MSM6255GSK	14, 15
	One-common-line timing signal	5, 9, 11
	One-frame timing signal	5, 9, 11
	Operating temperature	2, 18
	Operational amplifier	10, 11
-P-	Positive display	1
	Power supply voltage	2, 15, 16, 17
-R-	Resistance division	11
	Response time (fall)	4
	Response time (rise)	4
	Reverse current	18, 19
	Reverse voltage	18, 19
-S-	Segment drive waveform	9
	Segment driver	8, 9, 13
	SEIKO EPSON SED1330F/1335F	14, 16
	Selection waveform	6, 7
	Storage	21
	Storage humidity	2
	Storage temperature	2, 18
-T-	Timing characteristics	12
-V-	Viewing angle	3
	V _{opr} control circuit	8, 10

Seiko Instruments Inc.

Head Office

Components Sales Department
1-8, Nakase, Mihama-ku, Chiba-shi, Chiba 261, Japan
Phone: 043-211-1216 FAX: 043-211-8035

Seiko Instruments U.S.A. Inc.

Electronic Components Division
2990 W. Lomita Blvd., Torrance Calif. 90505, USA Phone: 310-517-7770 FAX: 310-517-7792

Seiko Instruments GmbH

Siemensstrasse 9b, 63263 Neu-Isenburg, Germany Phone: 49-6102-297-0 FAX: 49-6102-297-222

Seiko Instruments (H. K.) Ltd. Sales Division

4-5/F, Wyler Centre 2, 200 Tai Lin Pai Road, Kwai Chung, N.T., Kowloon, Hong Kong
Phone: 852-24218611 FAX: 852-24805479

Seiko Instruments Taiwan Inc.

5F-1 No. 99, SEC.2, Chung Shan N. Rd., Taipei 104, Taiwan, R.O.C.
Phone: 886-2-563-5001 FAX: 886-2-521-9519

Seiko Instruments Singapore Pte. Ltd

2, Marsiling Lane Woodland New Town Singapore 2573
Phone: 65-2691370 FAX: 65-2699729