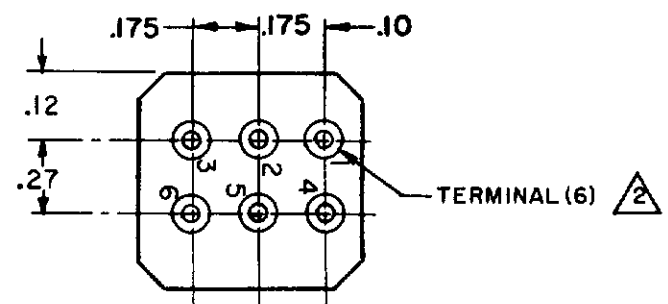
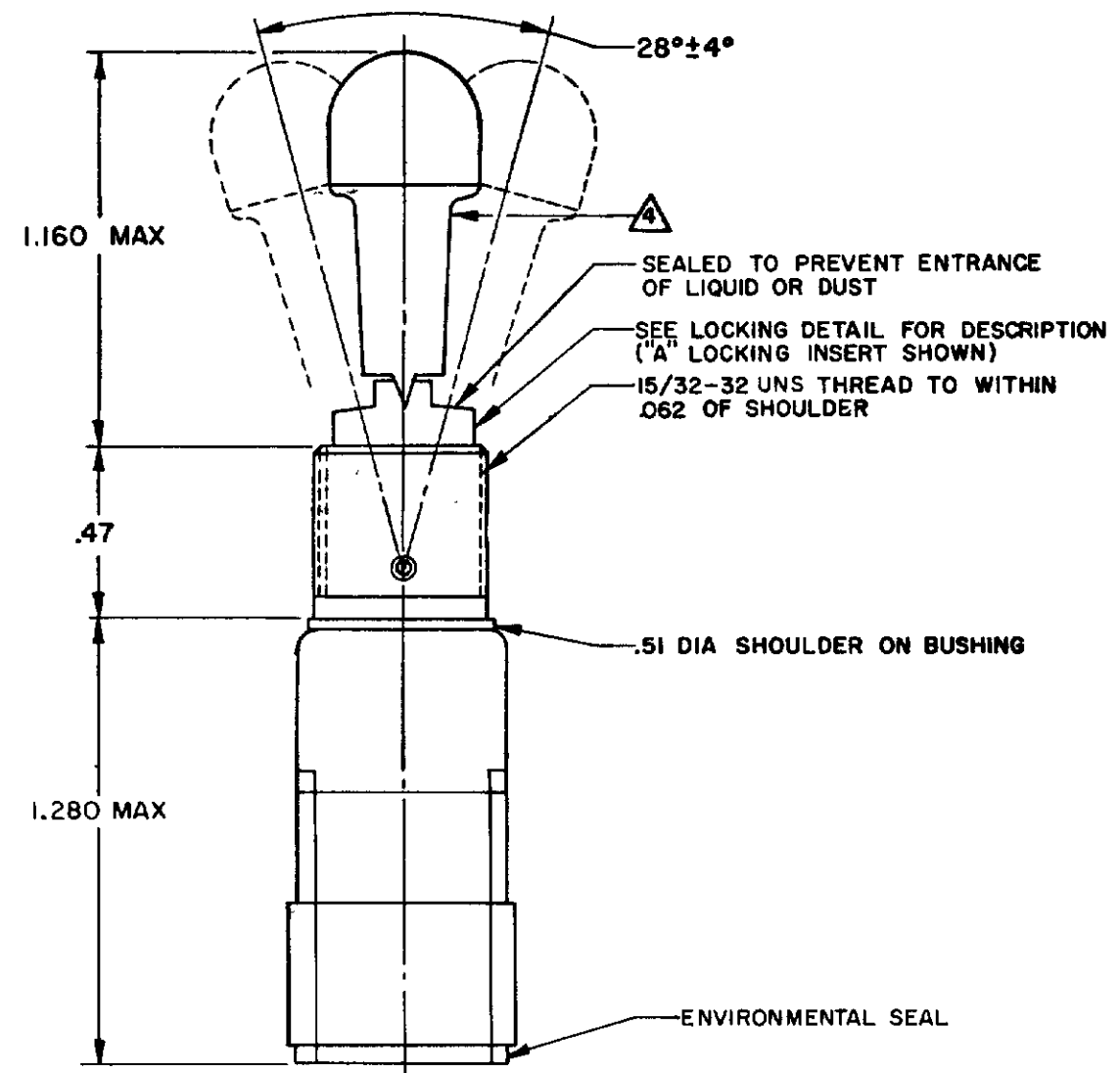
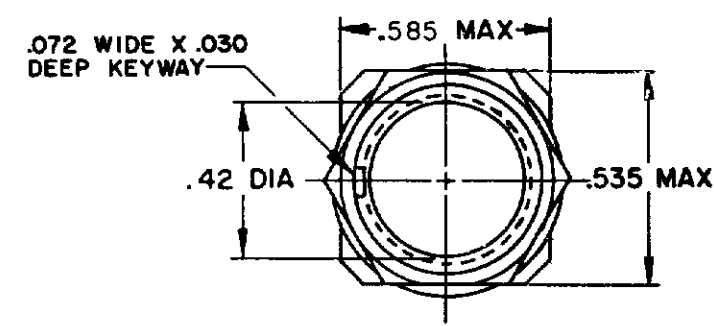


MICRO SWITCH
 FREEPORT ILLINOIS U.S.A.
 A DIVISION OF HONEYWELL
 FED MFG CODE 91929

SWITCH - TOGGLE

CATALOG LISTING
112TW22 SERIES
CHART 1

THIS DRAWING COVERS A PROPRIETARY ITEM AND IS THE PROPERTY OF MICRO SWITCH, A DIVISION OF MINNEAPOLIS-HONEYWELL REGULATOR CO. THIS DRAWING IS NOT TO BE COPIED OR USED WITHOUT THE APPROVAL OF MICRO SWITCH.



CAT. LIST.	RECOMMENDED LOCKING COMBINATIONS	CIRCUIT WITH TOGGLE IN			RELEASE NUMBER
		EXTREME POSITION KEYWAY SIDE 1-2	CENTER 4-5	EXTREME POSITION OPPOSITE KEYWAY 2-3	
112TW22-1/3	A,B,D,E,F,G,H,J,K,L,M,N,P	ON	OFF	ON	
112TW22-3/3	D, F, G	ON	NONE	ON	ETS
112TW22-5/3	E, F, K, L, M, N	MOM ON	OFF	ON	
112TW22-7/3	E, L, N	MOM ON	OFF	MOM ON	
112TW22-8/3	F	MOM ON	NONE	ON	
112TW22-2/3	M, E	NONE	OFF	ON	
112TW22-6/3	E	MOM ON	OFF	NONE	

"A" LOCKED IN THREE POSITIONS	"B" LOCKED IN CENTER AND EXTREME POSITION (KEYWAY SIDE)	"D" LOCKED OUT OF CENTER POSITION	"E" LOCKED IN CENTER POSITION	"F" LOCKED IN EXTREME POSITION (OPPOSITE KEYWAY)	"G" LOCKED IN EXTREME POSITION (KEYWAY SIDE)
"H" LOCKED OUT OF CENTER AND EXTREME POSITION (KEYWAY SIDE)	"J" LOCKED OUT OF CENTER AND EXTREME POSITION (OPPOSITE KEYWAY)	"K" LOCKED IN CENTER AND EXTREME POSITION (OPPOSITE KEYWAY)	"L" LOCKED OUT OF EXTREME POSITION (KEYWAY SIDE)	"M" LOCKED OUT OF AND INTO EXTREME POSITION (OPPOSITE KEYWAY)	"N" LOCKED OUT OF EXTREME POSITION (OPPOSITE KEYWAY)
"P" LOCKED OUT OF AND INTO EXTREME POSITION (KEYWAY SIDE)	 LOCKWASHER (PART NO. TS-10013) MS 35333-136 OR EQUIV			 LOCKING RING (PART NO. EN-12449) MS 25081-C4 OR EQUIV	
				 HEX NUT (PART NO. TL-10632)(2) MS 25082-8 OR EQUIV	

NOTE--
 1 - FURNISHED UNASSEMBLED
 2 - TERMINATION WILL ACCEPT CRIMP CONTACT CONFORMING TO M39029/1-101 ONLY
 3 - SUFFIX MUST BE ADDED FOR DESIRED TYPE TOGGLE LOCKING
 4 - MATTE FINISH
 5 - SWITCH DESIGNED TO CONFORM TO MS 27721 EXCEPT TERMINATION, LENGTH AND WEIGHT

ELECTRICAL DATA	SCALE
CONTACT ARRANGEMENT	DO NOT SCALE PRINT
28 VDC AND 125 VAC 5 AMP RES 2 AMP IND 1 AMP LAMP	UNLESS OTHERWISE SPECIFIED DIMENSIONS ARE IN INCHES TOLERANCES ARE- ONE PLACE (.0) ± .030 TWO PLACE (.00) ± .015 THREE PLACE (.000) ± .008 ANGLES ±
	WEIGHT