

Plugs

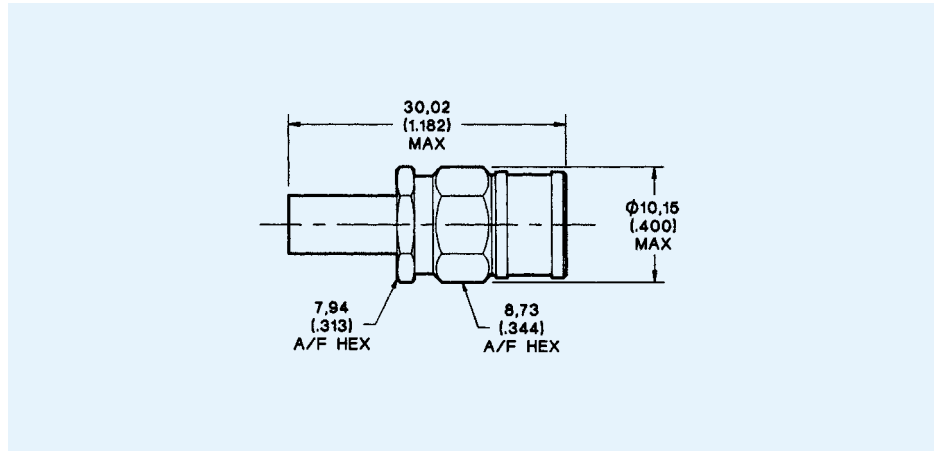
Straight Plug, Snap-On

With Crimp Contact

Part Number	BT Ref.	Cable Numbers
051-124-9569A90	SKT43/1E	BT2001
051-124-9579A90	SKT43/2E	BT2002
051-124-9589A90	SKT43/3E	BT2003
051-124-9649A90	SKT43/5E	BT3002, TZC75024
051-124-9599A90	-	RG179B/U, 187A/U

With Solder Contact

Part Number	BT Ref.	Cable Numbers
051-124-9269A90	SKT43/1A	BT2001
051-124-9279A90	SKT43/2A	BT2002
051-124-9289A90	SKT43/3A	BT2003
051-124-9349A90	-	BT3002, TZC75024
051-124-9129A90	-	RG59/U, 62/U, 140/U
051-124-9309A90	SKT43/4A	RG179B/U, 187A/U
051-124-0000A90	-	RG180/U, 195A/U
051-124-9399A90	-	RD179



Crimp Contact — Assembly Instruction BBAI-1119 (Page 133)
Solder Contact — Assembly Instruction BBAI-1040 (Page 131)

Straight Plug, Posi-Lock

With QT Contact (packed in trays of 25)

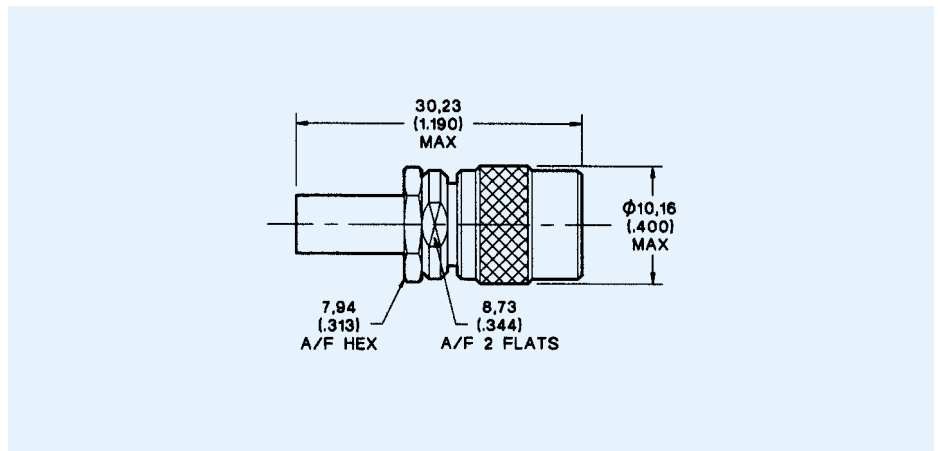
Part Number	Replaces BT Ref.	Cable Numbers
U51-124-953991A	S43/3F & 3B	BT2003
U51-124-963991A	S43/5F	BT3002, TZC75024

With Crimp Contact

Part Number	BT Ref.	Cable Numbers
051-124-9519910	SKT43/1F	BT2001
051-124-9529910	SKT43/2F	BT2002
051-124-9539910	SKT43/3F	BT2003
051-124-9639910	SKT43/5F	BT3002, TZC75024
051-124-9669S9A	-	RG59B/U
051-124-9549910	-	RG179B/U, 187A/U

With Solder Contact

Part Number	BT Ref.	Cable Numbers
051-124-9219910	SKT43/1B	BT2001
051-124-9229910	SKT43/2B	BT2002
051-124-9239910	SKT43/3B	BT2003
051-124-9339910	-	BT3002, TZC75024
051-124-9139A90	-	RG59/U, 62/U, 140/U
051-124-9249910	SKT43/4B	RG179B/U, 187A/U
051-124-9499910	-	RD179



QT™ Contact — Assembly Instruction BBAI-1238 (Page 138)
Crimp Contact — Assembly Instruction BBAI-1119 (Page 133)
Solder Contact — Assembly Instruction BBAI-1040 (Page 131)