



PRELIMINARY \*

## *Product Specification*

# ***AHA3540***

## ***40 MBytes/sec ALDC Data Compression Coprocessor IC***

2365 NE Hopkins Court  
Pullman, WA 99163-5601  
tel: 509.334.1000  
fax: 509.334.9000  
e-mail: sales@aha.com  
www.aha.com



advancedhardwarearchitectures

\* *This specification represents a product still in the design cycle, undergoing testing processes, any specifications are based on design goals only. Parameters may be subject to change pending completion of characterization.*

## Table of Contents

---

<b>1.0</b>	<b>Introduction</b>	1
1.1	Conventions, Notations and Definitions	1
1.2	Features	1
1.3	Applications	1
1.4	Functional Description	2
1.4.1	Port A and Port B Interfaces	3
1.4.2	Data Expansion During Compression	3
1.4.3	Multiple Records	3
1.4.4	Byte Alignment	3
<b>2.0</b>	<b>Compression Operation</b>	4
2.1	Compression Pass Through	4
2.2	Compression	4
<b>3.0</b>	<b>Decompression Operation</b>	5
3.1	Decompression Pass Through	5
3.2	Decompression	5
3.3	Decompression Output Disabled Mode	5
<b>4.0</b>	<b>Microprocessor Interface and Register Access</b>	5
4.1	Microprocessor Interface	5
4.1.1	Interrupts	5
4.1.2	Resets	6
4.1.3	Port A Interface FIFO Access	6
4.2	Register Access	7
4.3	Pausing / Resume	7
<b>5.0</b>	<b>Port A and Port B Configuration</b>	7
<b>6.0</b>	<b>Register Description</b>	8
6.1	Status 0 (STAT0)	9
6.2	Status 1 (STAT1)	10
6.3	Port A Configuration 0 (ACNF0)	11
6.4	Port A Configuration 1 (ACNF1)	11
6.5	Port B Configuration 0 (BCNF0)	11
6.6	Port B Configuration 1 (BCNF1)	12
6.7	Identification (ID0, ID1)	12
6.8	Port A Polarity (APOL)	12
6.9	Port B Polarity (BPOL)	13
6.10	Port A Transfer Count (ATCL0, ATCL1, ATCH0, ATCH1)	13
6.11	Record Count (RCL0, RCL1, RCH0, RCH1)	14
6.12	Port B Compare Count (BCCL0, BCCL1, BCCH0, BCCH1)	14
6.13	Port B Transfer Count (BTCL0, BTCL1, BTCH0, BTCH1)	15
6.14	Port A FIFO Data Access (AFIF0, AFIF1)	15
6.15	Compressed Bytes Processed (CBPL0, CBPL1, CBPH0, CBPH1)	16
6.16	Port A FIFO Control (AFCT)	16
6.17	Error Status (ERRS)	17
6.18	Interrupt Status 0 (INTS0)	17
6.19	Interrupt Status 1 (INTS1)	18
6.20	Command (CMND)	19
6.21	Record Length (RLL0, RLL1, RLH0, RLH1)	20
6.22	Data Disabled Count (DDCL0, DDCL1, DDCH0, DDCH1)	20
6.23	Error Mask (EMSK)	21
6.24	Interrupt Mask 0 (IMSK0)	22
6.25	Interrupt Mask 1 (IMSK1)	22

<b>7.0</b>	<b>Signal Descriptions</b>	23
7.1	Microprocessor Interface	23
7.2	Port A Interface	24
7.3	Port B Interface	24
<b>8.0</b>	<b>Pinout</b>	25
<b>9.0</b>	<b>Electrical Specifications</b>	27
9.1	Absolute Maximum Ratings	27
9.2	Recommended Operating Conditions	27
9.3	DC Specifications	27
<b>10.0</b>	<b>Timing Specifications</b>	28
<b>11.0</b>	<b>Packaging</b>	45
<b>12.0</b>	<b>Ordering Information</b>	46
12.1	Available Parts	46
12.2	Part Numbering	46
<b>13.0</b>	<b>AHA Related Technical Publications</b>	46
<b>Appendix A:</b>	<b>Differences between the AHA3540 and IBM ALDC1-20S-LP</b>	47
A.1	Status and Interrupt Status Register Differences	47
A.2	Input/Output Differences	47

## Figures

---

Figure 1:	Functional Block Diagram . . . . .	2
Figure 2:	Multiple Record Compression . . . . .	3
Figure 3:	Port A Interface Input Padding . . . . .	4
Figure 4:	TQFP Pinout . . . . .	26
Figure 5:	Clock Timing . . . . .	28
Figure 6:	Reset Timing . . . . .	28
Figure 7:	Processor Read Timing, MMODE = 1 . . . . .	29
Figure 8:	Processor Write Timing, MMODE = 1 . . . . .	30
Figure 9:	Processor Read Timing, MMODE = 0 . . . . .	31
Figure 10:	Processor Write Timing, MMODE = 0 . . . . .	32
Figure 11:	Port A Burst Write Timing, Slave Mode . . . . .	33
Figure 12:	Port A Burst Read Timing, Slave Mode . . . . .	34
Figure 13:	Port B Burst Read Timing, Master Mode . . . . .	35
Figure 14:	Port B Burst Write Timing, Master Mode . . . . .	36
Figure 15:	Port A Write Timing, FAS368 Slave Mode . . . . .	37
Figure 16:	Port A Read Timing, FAS368 Slave Mode . . . . .	38
Figure 17:	Port B Read Timing, FAS368 Master Mode . . . . .	39
Figure 18:	Port B Write Timing, FAS368 Master Mode . . . . .	40
Figure 19:	Port A Write Timing, 43C97 Slave Mode . . . . .	41
Figure 20:	Port A Read Timing, 43C97 Slave Mode . . . . .	42
Figure 21:	Port B Read Timing, 43C97 Master Mode . . . . .	43
Figure 22:	Port B Write Timing, 43C97 Master Mode . . . . .	44
Figure 23:	AHA3540 TQFP Package Specifications . . . . .	45

## Tables

---

Table 1:	Microprocessor Interface Control Signals . . . . .	5
Table 2:	Clock Timing . . . . .	28
Table 3:	Reset Timing . . . . .	28
Table 4:	Processor Read Timing, MMODE = 1 . . . . .	29
Table 5:	Processor Write Timing, MMODE = 1 . . . . .	30
Table 6:	Processor Read Timing, MMODE = 0 . . . . .	31
Table 7:	Processor Write Timing, MMODE = 0 . . . . .	32
Table 8:	Port A Burst Write Timing, Slave Mode . . . . .	33
Table 9:	Port A Burst Read Timing, Slave Mode . . . . .	34
Table 10:	Port B Burst Read Timing, Master Mode . . . . .	35
Table 11:	Port B Burst Write Timing, Master Mode . . . . .	36
Table 12:	Port A Write Timing, FAS368 Slave Mode . . . . .	37
Table 13:	Port A Read Timing, FAS368 Slave Mode . . . . .	38
Table 14:	Port B Read Timing, FAS368 Master Mode . . . . .	39
Table 15:	Port B Write Timing, FAS368 Master Mode . . . . .	40
Table 16:	Port A Write Timing, 43C97 Slave Mode . . . . .	41
Table 17:	Port A Read Timing, 43C97 Slave Mode . . . . .	42
Table 18:	Port B Read Timing, 43C97 Master Mode . . . . .	43
Table 19:	Port B Write Timing, 43C97 Master Mode . . . . .	44
Table 20:	TQFP (Thin Quad Flat Pack) 14 × 14 mm Package Dimensions . . . . .	45

## 1.0 INTRODUCTION

---

AHA3540 is a single chip lossless compression and decompression integrated circuit implementing the industry standard lossless adaptive data compression algorithm, also known as ALDC. The device compresses, decompresses or passes through data unchanged depending on the operating mode selected. This device achieves an average compression ratio of 2:1 on typical computer files. The flexible hardware interface makes this part suitable for many applications.

AHA3540 is algorithm compatible to the IBM® ALDC device, ALDC1-20S-LP, as well as AHA's first generation ALDC device, AHA3520. Files compressed on one device can be interchanged and decompressed on other devices.

Content Addressable Memory (CAM) within the compression/decompression engine eliminates the need for external SRAMS.

Included in this specification is a functional overview, operation modes, register descriptions, DC and AC Electrical characteristics, ordering information, and a listing of related technical publications. It is intended for hardware and software engineers designing a compression system using AHA3540.

AHA designs and develops lossless compression, forward error correction and data storage formatter/controller ICs. Technical publications are available upon request.

### 1.1 CONVENTIONS, NOTATIONS AND DEFINITIONS

---

- Active low signals have an “N” appended to the end of the signal name. For example, CSN and WRITEN.
- “Signal assertion” means the signal is logically true.
- Hex values are represented with a prefix of “0x”, such as Register “0x00”. Binary values do not contain a prefix, for example, MMODE = 1.
- A prefix or suffix of “x” indicates a letter missing in a register name or signal name. For example, xCNF0 refers to the ACNF0 or BCNF0 register.
- A range of signal names or register bits is denoted by a set of colons between the numbers. Most significant bit is always shown first, followed by least significant bit. For example, MDATA[7:0] indicates signal names MDATA7 through MDATA0.
- Mega Bytes per second is referred to as MBytes/sec or MB/sec.
- IBM is a registered trademark of IBM.

## 1.2 FEATURES

---

### PERFORMANCE:

- 40 MB/s data compression, decompression or pass-through rate with a single 80 MHz clock; 20 MB/s data compression, decompression or pass-through rate with a single 40 MHz clock
- 2:1 average compression ratio
- A four byte *Record Length* register allows record lengths up to 4 gigabytes
- Four byte *Record Count* register allows multiple record transfers
- Error checking in decompression mode reportable via an interrupt

### FLEXIBILITY:

- Polled or interrupt driven I/O
- Programmable polarity for DMA control signals
- DMA FIFO access via microprocessor port at Port A Interface

### SYSTEM INTERFACE:

- Single chip data compression solution
- Two selectable microprocessor interfaces
- Programmable Interrupts
- Interfaces directly with industry standard SCSI chips, FAS368, AIC-43C97C and AIC-33C94C

### OTHERS:

- Open standard ALDC adaptive lossless compression algorithm
- Complies to QIC-154, ECMA 222, ANSI X3.280-1996 and ISO 15200 standard specifications
- Algorithm compatible to IBM ALDC1-20S-HA, IBM ALDC1-20S-LP and AHA3520
- 100 pin package in 14 × 14 mm TQFP body
- Lower power 3.3 Volt device

## 1.3 APPLICATIONS

---

- Tape drives
- Network Communications – wired and wireless

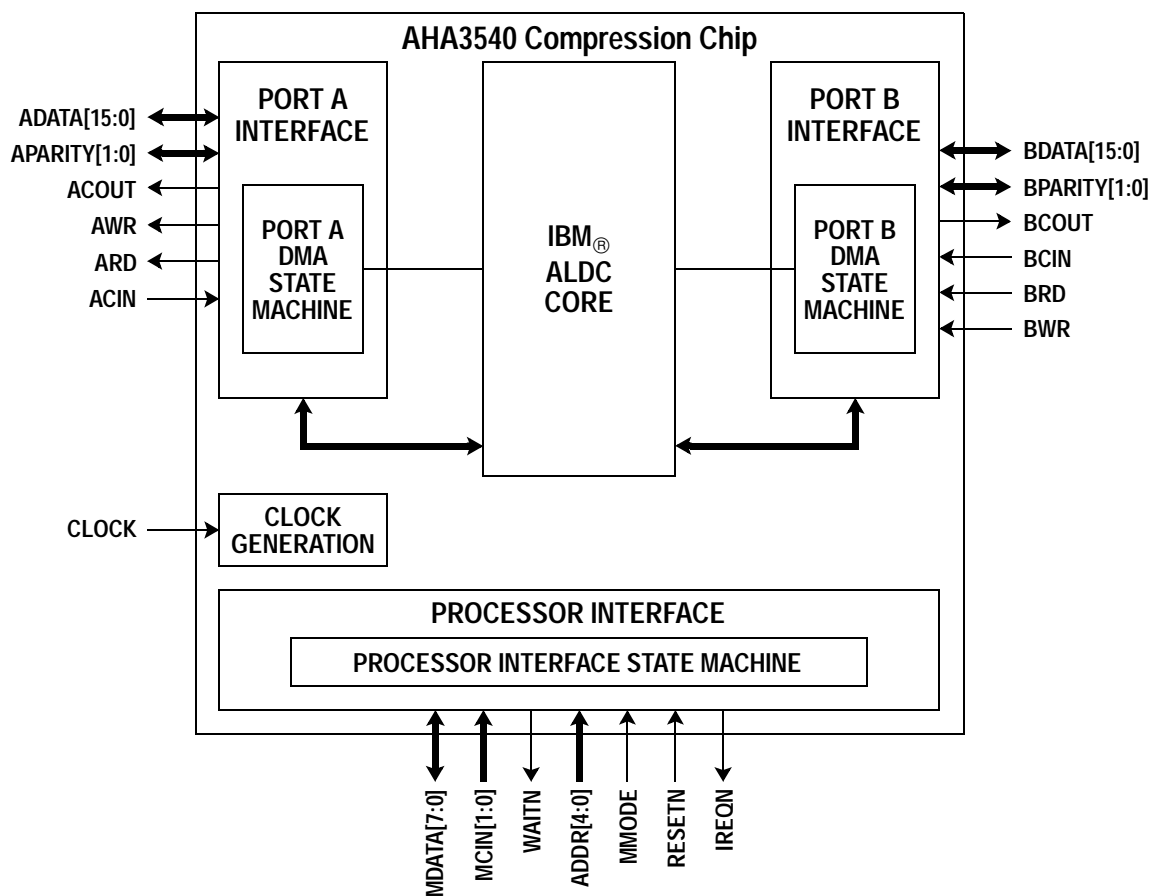
## 1.4 FUNCTIONAL DESCRIPTION

AHA3540 is a compression/decompression device residing between the host interface, usually SCSI, and the buffer manager ASIC. Major blocks in this device are the Microprocessor Interface, Port A Interface, Port B Interface, and the Compression/Decompression Engine. The Microprocessor Interface provides status and control information by register access. Port A and Port B Interfaces are configurable for polarity, handshaking modes, and other options. The operating mode establishes the direction of both the Port A and Port B Interfaces. Compression or Compression Pass Through sets the Port A Interface as an input and the Port B Interface as an output. Conversely Decompression or

Decompression Pass Through sets the Port A Interface as an output and the Port B Interface as an input. Decompression Output Disabled mode allows the device to decompress a user programmed number of records while dumping the uncompressed data, then automatically begin outputting the remaining uncompressed records.

A four byte *Record Length* register and a four byte *Record Count* register allow the user to partition the data into multiple records. Compression Pass Through mode and Decompression Pass Through modes allow data transfers through the device without changing the data. Both interfaces, Port A and Port B, have selectable transfer modes.

Figure 1: Functional Block Diagram



IBM is a registered trademark of IBM.

### 1.4.1 PORT A AND PORT B INTERFACES

Both Port A and Port B Interfaces are independently configurable via the *Port A Configuration* register (ACNF), the *Port A Polarity* register (APOL), the *Port B Configuration* register (BCNF), and the *Port B Polarity* register (BPOL). Port A may be configured to operate in burst mode (20 MB/sec, Slave), 43C97C mode (40 MB/sec, Slave) or FAS368 mode (40 MB/sec, Slave). Port B may be configured to operate in burst mode (20 MB/sec, Master), 43C97C mode (40 MB/sec, Master) or FAS368 mode (40 MB/sec, Master).

Burst mode is an asynchronous DMA transfer mode requiring a request followed by one or more acknowledges. Data is latched on the trailing edge of the acknowledge pulses.

FAS368 mode is a DMA transfer mode compatible with FAS368 devices. In this mode DACKA (ACOUT) is asserted low for the entire burst transfer and 16-bit data is strobed into or out of Port A using ARD or AWR respectively. ACOUT, AWR and ARD must be programmed as active low signals in the APOL register. ACIN (DREQ) must be programmed as active high.

Port A and Port B Interfaces both contain sixteen-byte FIFOs.

### 1.4.2 DATA EXPANSION DURING COMPRESSION

Data expansion occurs when the size of the data increases during a compression operation. This typically occurs when the data is compressed prior to input into the chip. The EXPAND status bit is set if the *Port B Transfer Count* is larger than the *Port A Transfer Count* register. If data expansion caused the *Port B Transfer Count* to exceed its maximum 4-byte value then the BTC Overflow Error status gets set. Worst case expansion allowable by the algorithm is 12.5% or (9/8 times the uncompressed Record Length).

### 1.4.3 MULTIPLE RECORDS

The AHA3540 device has two provisions to manage compressing a block of data into multiple records: automatic segmentation into multiple records at the Port A interface and the Reset history buffer command. During compression operation, the Port A interface automatically partitions the uncompressed data into equal length records according to the *Record Count* and *Record Length* registers. The two sets of registers determine the number of records and length of each record in the data transfer operation. When compressing multiple records the device retains the contents of the history buffer between records. This usually improves compression ratio by allowing data from the current record to match against data from the previous record. During decompression, the previous record must be decompressed prior to the current record unless the history buffer is reset just before compressing the current record. For example, Figure 2 shows three records with a history buffer reset before record three. In this case, record three can be decompressed without previously decompressing records one and two. However, decompressing record two requires decompressing record one first.

When processing multiple records (*Record Count* is greater than one), the *Record Length* must be greater than 0x22.

### 1.4.4 BYTE ALIGNMENT

Both the Port A and Port B interfaces support the insertion and removal of padding bytes to align data transfers to any byte boundary within a two-byte or four-byte wide memory system. Figure 3 shows the four padding possibilities. In this figure, padding bytes are designated  $P_i$ , and normal data bytes are designated  $D_i$ . Four bits within the command register are used to specify the desired input and output padding for a given command.

Pad bytes are not counted by any of the counters.

Figure 2: Multiple Record Compression

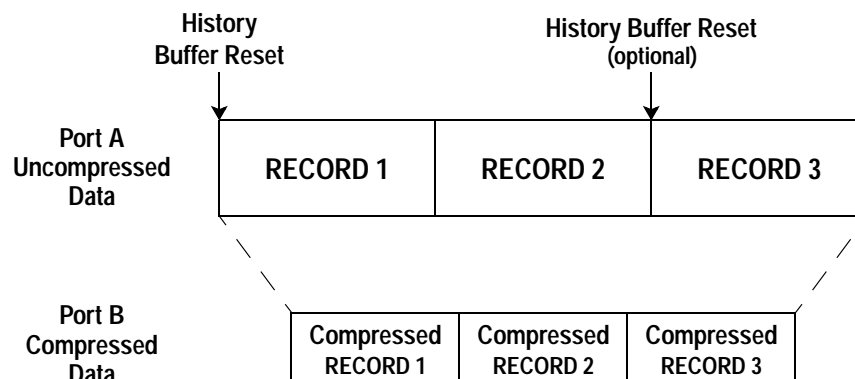
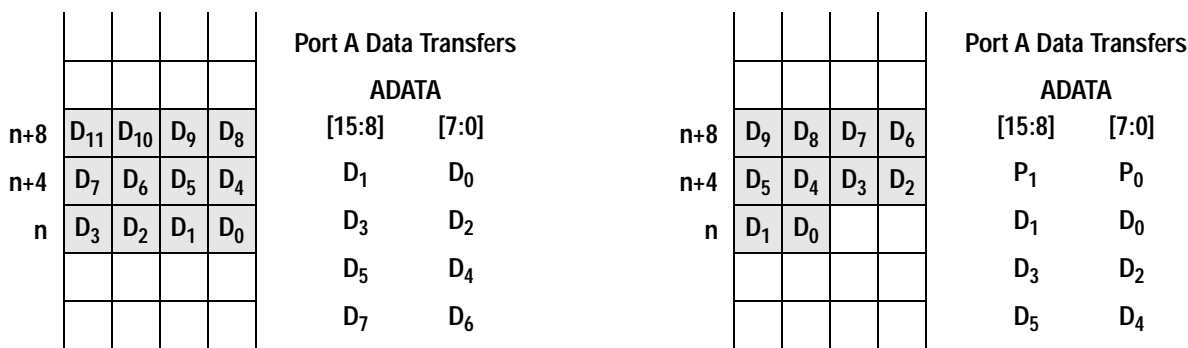


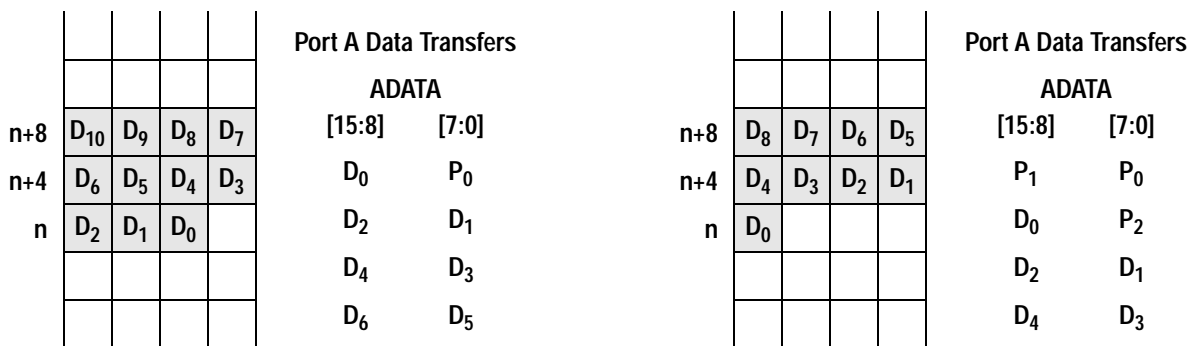


Figure 3: Port A Interface Input Padding



Part (a): Zero Bytes of Padding

Part (c): Two Bytes of Padding



Part (b): One Byte of Padding

Part (d): Three Bytes of Padding

## 2.0 COMPRESSION OPERATION

### 2.1 COMPRESSION PASS THROUGH

Compression Pass Through mode allows data to enter the Port A Interface, transfer through the ALDC core, and exit through the Port B Interface unchanged. Pass through mode uses the Port A Transfer counter, Port B Transfer counter and *Record Length* and *Record Count* registers. The DONE status bit and interrupt (if not masked) are set when the transfer completes.

### 2.2 COMPRESSION

During compression operation, uncompressed data flows into the Port A Interface, is compressed by the compression engine, and the compressed data transferred out of the Port B Interface.

The device contains a Content Addressable Memory (CAM). The CAM is the history buffer during compression operation. The compressor appends an end marker control code to the end of the compressed data. It also pads the end of a transfer to a byte boundary with zeroes.

The compression engine constantly monitors the performance of compression for expansion during compression operation. When the Port B Transfer Count is larger than the Port A Transfer Count the EXPAND bit in the *Status 0* register is set indicating data expansion during compression operation.

Port A Interface count increments with each byte received and when this count equals the transfer size, all bytes in this transfer have been received into Port A.

A compression operation is complete when the last byte transfers out of the Port B Interface and the *Record Length* is zero and the *Record Count* is one, thus setting the DONE status bit and generating a Done Interrupt if it is not masked.

## 3.0 DECOMPRESSION OPERATION

### 3.1 DECOMPRESSION PASS THROUGH

Decompression Pass Through mode allows data to enter the Port B Interface, transfer through the ALDC core, and exit through the Port A Interface unchanged. Pass through mode uses the Port A Transfer counter, Port B Transfer counter, *Record Length* and *Record Count* registers. The DONE status bit and interrupt (if not masked) are set when the transfer completes.

### 3.2 DECOMPRESSION

During Decompression mode, compressed data flows into the Port B Interface and is decompressed. The resulting uncompressed data is transferred out of the Port A Interface.

A decompression operation is complete when the last byte transfers out of the Port A Interface, thus setting the DONE status bit and generating a Done Interrupt if it is not masked.

Decoder Control Code Errors are generated if invalid control codes are detected in the compressed data stream. This error is reported in the *Error Status* register.

Multiple records can be decompressed by programming the *Record Count* register. The *Record Count* register decrements every time an End of Record is decoded.

## 3.3 DECOMPRESSION OUTPUT DISABLED MODE

Decompression output disabled mode allows the user to program the number of records into the *Data Disable Count* register to decompress while discarding the output. The device then switches to normal decompression mode and continues to decompress the remaining records determined by the remaining number of records in the *Record Count* register, and transfers this data out of Port A.

## 4.0 MICROPROCESSOR INTERFACE AND REGISTER ACCESS

### 4.1 MICROPROCESSOR INTERFACE

Microprocessor Interface configuration is determined by the MMODE pin. If MMODE is tied high, transfers are controlled by a chip select signal (CSN) and a read/write signal (RWN), if MMODE is tied low, transfers are controlled by separate read (READN) and write (WRITEN) signals. Refer to Section 10.0 *Timing Specifications* for timing diagrams.

Table 1: Microprocessor Interface Control Signals

PIN NAME	MMODE TIED LOW	MMODE TIED HIGH
MCIN[0]	READN	CSN
MCIN[1]	WRITEN	RWN
WAITN	WAITN	WAITN
ADDR[0]	ADDR[0] = 0 selects register bits 7:0 ADDR[0] = 1 selects register bits 15:8	ADDR[0] = 0 selects register bits 15:8 ADDR[0] = 1 selects register bits 7:0

### 4.1.1 INTERRUPTS

IREQN is the hardware interrupt signal. IREQN is a standard TTL output. When active, it indicates an interrupt is set in the device. The microprocessor can determine the cause of the interrupt by reading the *Interrupt Status* register.

Masking individual interrupts with the *Interrupt Mask* register disables particular interrupts from causing the interrupt signal pin to assert (IREQN).

The interrupt signals are reset to their inactive state when either a hardware or software reset occurs, new compression operation begins, or by writing a zero to the *Interrupt Status* bit.

In general, the *Interrupt Status* and *Status* bits get set even if the *Interrupt Mask* bits are set. The exceptions are the One Byte at Port B, End of Record at Port B, One Byte at Port A, and End of Record at Port A. If these interrupts are masked, this status information can only be provided at the end of transfer, not at end of records because the ALDC core does not identify end of records in the data stream.

### 4.1.2 RESETS

There is a hardware reset signal and a software reset. When the RESETN signal is asserted all registers are reset, current operations are cancelled, and the history buffer is cleared. The software reset via the *Command* register does not affect the *Configuration* registers (ACNF or BCNF), *Identification* register (ID), the *Polarity* registers (APOL or BPOL), or the *Command* register (CMND). All other registers are reset, current operations cancelled and the history buffer cleared.

Section 6.0 *Register Description* lists the register values after a hardware reset, software reset command, and after a transfer command.

A new transfer command does not reset the data path; therefore, a hardware reset or software reset is generally required prior to issuing a new transfer command.

### 4.1.3 PORT A INTERFACE FIFO ACCESS

It is possible to access the Port A Interface FIFO from the microprocessor interface. This allows the uncompressed data stream to be altered from the microprocessor. This may be useful to properly handle exception conditions. Both read and write accesses are available. Only the Port A Interface FIFO is accessible from the microprocessor interface. In order to access the FIFO from the microprocessor interface, data transfers on the Port A interface must be suspended. The DMA device attached to the Port A interface must deactivate the DREQA line before attempting to access the FIFO from the microprocessor interface. Unpredictable results occur if DREQA is active during FIFO access from the microprocessor interface.

Two registers are used to control access to the FIFO: the *Port A FIFO Control* (AFCT) register and the *Port A FIFO Data* (AFIF) register. AFIF is a two-byte register used to hold data to be written to the Port A Interface FIFO during compression operations and to hold data read from the Port A Interface FIFO during decompression operations. Two bits within AFCT are defined: Access Port A FIFO (ACCF) and Request Port A FIFO (REQF). The Access Port A FIFO bit must be set for the entire duration of a read or write access to the Port A FIFO. This bit controls whether the Port A FIFO is accessed from the Port A interface or the microprocessor interface. The REQF bit is used as a semaphore to request a read or a write to the Port A Interface FIFO. Read or write is determined by the current command being executed. The FIFO can be read only during decompression commands and can be written only during compression commands.

Writing to the Port A Interface FIFO, assuming a compression or compression bypass operation is being executed, requires the following:

- 1) Suspend transfers on Port A Interface (DREQA input must be deasserted).
- 2) Write a Select Port A Command.
- 3) Set ACCF.
- 4) Place data to be written to the original data interface FIFO in AFIF.
- 5) Set REQF.
- 6) Read REQF until REQF returns to a zero.
- 7) Repeat steps 3 to 5 as necessary.
- 8) Clear ACCF and resume DMA operations.

Reading from the Port A Interface FIFO, assuming a decompression bypass, decompression or decompression output disabled operation is being executed, requires the following:

- 1) Suspend transfers on Port A Interface (DREQA input must be deasserted).
- 2) Write a Select Port A Command.
- 3) Set ACCF.
- 4) Set REQF.
- 5) Read REQF until REQF returns zero. REQF is reset when two bytes have been read from the Port A Interface FIFO and placed in AFIF.
- 6) Read data from AFIF.
- 7) Repeat steps 3 to 5 as necessary.
- 8) Clear ACCF and resume DMA operations.

All Port A interface status indicators are updated exactly as if the data is read from or written to the Port A interface data bus. For instance:

- The Port A Interface Transfer Count (ATC) will increment as bytes are transferred through the microprocessor interface.
- All Status bits (STAT0 and STAT1) and Interrupt Status bits (INTS) will operate when data is transferred through the microprocessor interface.
- Padding bytes are supported at command boundaries.
- Padding bytes may have to be inserted to ensure that the last transfer from the microprocessor ends on an even-byte boundary.

## 4.2 REGISTER ACCESS

---

MMODE determines whether ADDR[0] selects even or odd addressed registers. When MMODE = 1 and ADDR[0]=0, odd addressed registers are accessible. MMODE=1 causes ADDR[0] input signal to be inverted.

The registers may not be stable if PAUSED is not set. Registers should only be written when they are stable.

When writing to registers that are defined as 16-bit registers, both bytes must be written before the register is updated. When writing the 16-bit *Command* register, the command is executed when the most significant byte is written. ADDR[0] selects between the upper and lower bytes of 16-bit registers.

Registers in the ALDC core require longer to access than the external microprocessor interface permits. Therefore, if back to back writes to the same address ever occur, they must be separated by a minimum of 8 clocks.

## 4.3 PAUSING / RESUME

---

When a Pause command is issued or an unmasked data transfer interrupt occurs, the device pauses at the next break in the DMA handshaking. The following unmasked interrupts cause the device to pause: ODT (Output Disable Terminated), EORPA (End of Record at Port A), BPA (One Byte at Port A), EORPB (End of Record at Port B), BPB (One Byte at Port B), BCMP (Port B Interface Compare), and EORD (End of Record at Decoder). A Slave port pauses after ACOUT (DACKA) deasserts. For a Master port, the PAUSED status bit will get set even if BCOUT (DREQB) is asserted. The master port may have several transfers in its output pipe. Therefore, several transfers could occur before the interface pauses and DREQB remains deasserted. Once paused and the last transfer is complete, the data busses are put in high impedance. Operation is continued by issuing a resume command

Registers in the ALDC core require longer to access than the external microprocessor interface permits. Therefore, these registers must be prefetched for external reads. To assure that the values read from these registers are current, it is recommended that a Pause command be issued and Paused Status read prior to reading these registers. When a pause command is received, it takes up to 40 clock cycles to update these registers. The PAUSED status bit is not set until the registers are updated. Additional microprocessor accesses during this time will delay the prefetched reads and

Paused status. Registers that must be prefetched include the *Compressed Bytes Processed*, *Error Status*, *Interrupt Status*, *Record Count* and *Data Disable Count* registers.

## 5.0 PORT A AND PORT B CONFIGURATION

---

Port A and Port B are both 16-bit bidirectional data ports with parity checking and generation. The ports are controlled by the configuration registers ACNF[15:0] and BCNF[15:0], and polarity registers APOL[7:0] and BPOL[7:0].

## 6.0 REGISTER DESCRIPTION

ADDR[4:0]		MNEMONIC	REGISTER NAME	R/W	NOTES	REGISTER RESET VALUE			PAGE #
MMODE = 0	MMODE = 1					HARDWARE RESET	RESET COMMAND	NEW TRANSFER COMMAND	
0x00	0x01	STAT0	Status, Byte 0	R	1	0x00	0x00	0x80	9
0x01	0x00	STAT1	Status, Byte 1	R	1, 4	0x0C	0x0C	0000UU00	10
0x00	0x01	ACNF0	Port A Configuration, Byte 0	R/W	2	0x00	unchanged	unchanged	11
0x01	0x00	ACNF1	Port A Configuration, Byte 1	R/W	2	0x00	unchanged	unchanged	11
0x00	0x01	BCNF0	Port B Configuration, Byte 0	R/W	3	0x00	unchanged	unchanged	11
0x01	0x00	BCNF1	Port B Configuration, Byte 1	R/W	3	0x00	unchanged	unchanged	12
0x02	0x03	ID0	Identification 0	R	1	0x40	0x40	0x40	12
0x03	0x02	ID1	Identification 1	R	1	0x35	0x35	0x35	12
0x02	0x03	APOL	Port A Polarity	R/W	2	0xFF	unchanged	unchanged	12
0x03	0x02	<i>res</i>	<i>Reserved</i>						
0x02	0x03	BPOL	Port B Polarity	R/W	3	0xDF	unchanged	unchanged	13
0x03	0x02	<i>res</i>	<i>Reserved</i>						
0x04	0x05	ATCH0	Port A Transfer Count, Byte 2	R	1	0x00	0x00	0x00	13
0x05	0x04	ATCH1	Port A Transfer Count, Byte 3	R	1	0x00	0x00	0x00	13
0x04	0x05	RCH0	Record Count, Byte 2	R/W	2	0x00	0x00	0x00	14
0x05	0x04	RCH1	Record Count, Byte 3	R/W	2	0x00	0x00	0x00	14
0x04	0x05	BCCH0	Port B Compare Count, Byte 2	R/W	3	0x00	0x00	0x00	14
0x05	0x04	BCCH1	Port B Compare Count, Byte 3	R/W	3	0x00	0x00	0x00	14
0x06	0x07	ATCL0	Port A Transfer Count, Byte 0	R	1	0x00	0x00	0x00	13
0x07	0x06	ATCL1	Port A Transfer Count, Byte 1	R	1	0x00	0x00	0x00	13
0x06	0x07	RCL0	Record Count, Byte 0	R/W	2	0x00	0x00	0x00	14
0x07	0x06	RCL1	Record Count, Byte 1	R/W	2	0x00	0x00	0x00	14
0x06	0x07	BCCL0	Port B Compare Count, Byte 0	R/W	3	0x00	0x00	0x00	14
0x07	0x06	BCCL1	Port B Compare Count, Byte 1	R/W	3	0x00	0x00	0x00	14
0x08	0x09	BTCH0	Port B Transfer Count, Byte 2	R	1	0x00	0x00	0x00	15
0x09	0x08	BTCH1	Port B Transfer Count, Byte 3	R	1	0x00	0x00	0x00	15
0x08	0x09	AFIF0	Port A FIFO Data Access, Byte 0	R/W	2	0x00	0x00	0x00	15
0x09	0x08	AFIF1	Port A FIFO Data Access, Byte 1	R/W	2	0x00	0x00	0x00	15
0x08	0x09	CBPH0	Compressed Bytes Processed, Byte 2	R	3	0x00	0x00	0x00	16
0x09	0x08	CBPH1	Compressed Bytes Processed, Byte 3	R	3	0x00	0x00	0x00	16
0x0A	0x0B	BTCL0	Port B Transfer Count, Byte 0	R	1	0x00	0x00	0x00	15
0x0B	0x0A	BTCL1	Port B Transfer Count, Byte 1	R	1	0x00	0x00	0x00	15
0x0A	0x0B	AFCT	Port A FIFO Control	R/W	2	0x00	0x00	0x00	16
0x0B	0x0A	<i>res</i>	<i>Reserved</i>		2				
0x0A	0x0B	CBPL0	Compressed Bytes Processed, Byte 0	R	3	0x00	0x00	0x00	16
0x0B	0x0A	CBPL1	Compressed Bytes Processed, Byte 1	R	3	0x00	0x00	0x00	16
0x0C	0x0D	ERRS	Error Status	R	1	0x00	0x00	0x00	17
0x0D	0x0C	<i>res</i>	<i>Reserved</i>						
0x0E	0x0F	INTS0	Interrupt Status, Byte 0	R/W	1	0x00	0x00	0x00	17
0x0F	0x0E	INTS1	Interrupt Status, Byte 1	R/W	1	0x00	0x00	0x00	18
0x10	0x11	CMND0	Command 0	R/W		0x00	0x00	0x00	19
0x11	0x10	CMND1	Command 1	R/W		0x00	0xA0	0x00	19
0x12	0x13	<i>res</i>	<i>Reserved</i>						
0x13	0x12	<i>res</i>	<i>Reserved</i>						
0x14	0x15	RLH0	Record Length, Byte 2	R/W		0x00	0x00	unchanged	20
0x15	0x14	RLH1	Record Length, Byte 3	R/W		0x00	0x00	unchanged	20

ADDR[4:0]		MNEMONIC	REGISTER NAME	R/W	NOTES	REGISTER RESET VALUE			PAGE #
MMODE = 0	MMODE = 1					HARDWARE RESET	RESET COMMAND	NEW TRANSFER COMMAND	
0x16	0x17	RLL0	Record Length, Byte 0	R/W		0x00	0x00	unchanged	20
0x17	0x16	RLL1	Record Length, Byte 1	R/W		0x00	0x00	unchanged	20
0x18	0x19	DDCH0	Data Disabled Count, Byte 2	R/W		0x00	0x00	unchanged	20
0x19	0x18	DDCH1	Data Disabled Count, Byte 3	R/W		0x00	0x00	unchanged	20
0x1A	0x1B	DDCL0	Data Disabled Count, Byte 0	R/W		0x00	0x00	unchanged	20
0x1B	0x1A	DDCL1	Data Disabled Count, Byte 1	R/W		0x00	0x00	unchanged	20
0x1C	0x1D	EMSK	Error Mask	R/W		0x00	0x00	unchanged	21
0x1D	0x1C	<i>res</i>	<i>Reserved</i>						
0x1E	0x1F	IMSK0	Interrupt Mask 0	R/W		0x00	0x00	unchanged	22
0x1F	0x1E	IMSK1	Interrupt Mask 1	R/W		0x00	0x00	unchanged	22

Notes:

- 1) When CMND is not a Selection Command.
- 2) When CMND is a Select Port A Configuration Command.
- 3) When CMND is a Select Port B Configuration Command.
- 4) U identifies a bit that is unchanged.

## 6.1 STATUS 0 (STAT0)

Read Only

Hardware Reset Value = 0x00

Reset Command = 0x00

MMODE =		bit7	bit6	bit5	bit4	bit3	bit2	bit1	bit0
0	1								
0x00	0x01	<b>BUSY</b>	<b>PAUSED</b>	<b>OUTDIS</b>	<b>BYPASS</b>	<b>EXPAND</b>	<b>ANYINT</b>	<b>ANYERR</b>	<b>DONE</b>

Any status bit which is active when the device pauses, due to an interrupt or Pause Command, will remain active until there is a Resume Command. See Appendix A.1 for differences between AHA3540 and IBM ALDC1-20S-LP.

- BUSY** - Busy. This bit is set when a data transfer operation begins. It is cleared when the data transfer operation completes successfully, when an unmasked error occurs, when a reset occurs.
- PAUSED** - Paused. This bit is set when a data transfer operation is currently paused. It is cleared when a paused data transfer operation is resumed, when a reset occurs, or on a new transfer.
- OUTDIS** - Output Disabled. This bit is set when Port A Interface output is disabled. It is cleared when Port A Interface output is re-enabled, when a reset occurs, or on a new transfer.
- BYPASS** - Bypass. This bit is set after a Start Compression Bypass or a Start Decompression Bypass command is written to the *Command* register. It is cleared after a Start Compression, Start Decompression, Start Decompression Output Disable, when a reset occurs, when an unmasked error occurs, or when a transfer is complete.
- EXPAND** - Expansion. This bit is set when the *Port B Transfer Count* register is larger than the *Port A Transfer Count* register. It may toggle many times during a compression operation. It is cleared when another data transfer operation begins or when a reset occurs.
- ANYINT** - Any Interrupt. This bit is set while an unmasked interrupt is active. Cleared on a new transfer, and when all unmasked interrupts have been cleared.
- ANYERR** - Any Error. This bit is set when an unmasked error occurs. It is cleared when a data transfer operation begins or when a reset occurs.
- DONE** - Done. This bit is set when the current data transfer operation is complete. It is cleared when a data transfer operation begins or when a reset occurs.

## 6.2 STATUS 1 (STAT1)

Read Only

Hardware Reset Value = 0x0C

Reset Command = 0x0C

<i>MMODE</i> =		<i>bit15</i>	<i>bit14</i>	<i>bit13</i>	<i>bit12</i>	<i>bit11</i>	<i>bit10</i>	<i>bit9</i>	<i>bit8</i>
0	1								
0x01	0x00	<b>EORD</b>	<b>BCMP</b>	<b>BPB</b>	<b>EORPB</b>	<b>EMPB</b>	<b>EMPA</b>	<b>BPA</b>	<b>EORPA</b>

The *Status* bits **BPB**, **EORPB**, **BPA** and **EORPA** will only get set after the last word is transferred if the following *Interrupt Mask* bits are set: **BPBM**, **EORPBM**, **BPAM** and **EORPAM**. If these bits are set, the ALDC core provides end of transfer information, but no end of record information. See Appendix A.1 for differences between AHA3540 and IBM ALDC1-20S-LP.

- EORD** - End of Record at Decoder. This bit is set when the ALDC decoder detects an End of Record control code in the compressed data stream or when an ALDC Decoder Control Code Error occurs. This bit is cleared after reset, when the decoder begins processing the first codeword of the next record, or when a new data transfer operation begins. It is valid for Decompression and Decompression Output Disable modes.
- BCMP** - Port B Interface Compare. This bit is set when Port B Transfer Count is greater than or equal to Port B Interface Compare Count. Otherwise, it is cleared. This bit is cleared after reset or when a new data transfer operation begins. This bit is valid for all modes of operation.
- BPB** - One Byte at Port B. During compression bypass and compression operations, this bit is set at the same time the End of Record at Port B (STAT1[4] and INTS1[4]) is set if only one byte at the Port B Interface is part of the current record. During decompression bypass operation, this bit is set during the last data transfer of the record at the Port B Interface if only one byte belongs to the current record. This bit is cleared after reset, when a new data transfer operation begins, or when the first byte of the next record is transferred. Not valid during Decompression and Decompression Output Disable modes.
- EORPB** - End of Record at Port B. During compression bypass and compression operations, this bit is set when the last byte of a compressed record is transferred out of the Port B interface. During decompression bypass operations, this bit is set when the last byte of a record is transferred into the Port B interface. This bit is cleared after reset, when a new data transfer operation begins, or when the first byte of the next record is transferred. Not valid during Decompression and Decompression Output Disable modes.
- EMPB** - Empty at Port B. This bit is set when there is no data in the Port B interface data path. This bit must be set when writing to the *Record Length* register during Decompression bypass operation and when writing to the *Record Count* register during Decompression and Decompression Output disabled operations. Set after reset.
- EMPA** - Empty at Port A. This bit is set when there is no data in the Port A interface data path. This bit must be set when writing to the *Record Length* or *Record Count* registers during Compression and Compression Bypass operations. Set after reset.
- BPA** - One Byte at Port A. During compression bypass and compression operations, this bit is set during the last data transfer of the record at the Port A interface if only one byte belongs to the current record. During decompression bypass, decompression, and decompression output disabled modes, this bit is set the same time the End of Record at Port A interface bit (STAT1[0] and INTS1[0]) is set if only one byte at the Port A interface is part of the current record. This bit is cleared after reset, when a new data transfer operation begins, or when the first byte of the next record is transferred.
- EORPA** - End of Record at Port A. During compression bypass and compression operations, this bit is set each time the Record Length (RL) is decremented to zero. During decompression bypass, decompression, and decompression output disabled operations, this bit is set when the last byte of a record is transferred out the Port A interface. This bit is cleared after reset, when a new data transfer operation begins, or when the first byte of the next record is transferred.

### 6.3 PORT A CONFIGURATION 0 (ACNF0)

Reserved  
 Hardware Reset Value = 0x00  
 Reset Command = unchanged

*MMODE* =

0	1	<i>bit15</i>	<i>bit14</i>	<i>bit13</i>	<i>bit12</i>	<i>bit11</i>	<i>bit10</i>	<i>bit9</i>	<i>bit8</i>
0x00	0x01	reserved							

### 6.4 PORT A CONFIGURATION 1 (ACNF1)

Read/Write  
 Hardware Reset Value = 0x00  
 Reset Command = unchanged

*MMODE* =

0	1	<i>bit15</i>	<i>bit14</i>	<i>bit13</i>	<i>bit12</i>	<i>bit11</i>	<i>bit10</i>	<i>bit9</i>	<i>bit8</i>
0x01	0x00	<b>PARITY</b>	<b>ODD</b>	<b>SLAVE</b>	<b>MODE[2:0]</b>			reserved	

**PARITY** - Parity. When set, parity checking is enabled for the ADATA[15:0] data bus. When cleared, parity checking is disabled for the ADATA[15:0] bus.

**ODD** - Odd. Setting this bit along with PARITY enables odd parity checking and generation on the ADATA[15:0] data bus. When cleared with PARITY set even parity checking and generation is enabled on the ADATA[15:0] data bus.

**SLAVE** - Slave. Must always be written with a one.

**MODE[2:0]**-DMA Mode. These bits configure the interface DMA mode of the Port A Interface with values as defined below.

<i>MODE[2:0]</i>	<i>DMA TYPE</i>
000	Reserved
001	FAS368 mode
010	43C97 ATA
011	Burst
100	Reserved
101	Reserved
110	Reserved
111	Reserved

### 6.5 PORT B CONFIGURATION 0 (BCNF0)

Reserved  
 Hardware Reset Value = 0x00  
 Reset Command = unchanged

*MMODE* =

0	1	<i>bit15</i>	<i>bit14</i>	<i>bit13</i>	<i>bit12</i>	<i>bit11</i>	<i>bit10</i>	<i>bit9</i>	<i>bit8</i>
0x00	0x01	reserved							



## 6.6 PORT B CONFIGURATION 1 (BCNF1)

Read/Write  
 Hardware Reset Value = 0x00  
 Reset Command = unchanged

**MMODE** =

0	1	bit15	bit14	bit13	bit12	bit11	bit10	bit9	bit8
0x01	0x00	<b>PARITY</b>	<b>ODD</b>	reserved	<b>MODE[2:0]</b>			reserved	

**PARITY** - Parity. When set, parity checking is enabled for the BDATA[15:0] data bus. When cleared, parity checking is disabled for the BDATA[15:0] bus.

**ODD** - Odd. When set, odd parity checking and generation is used on the BDATA[15:0] data bus. When cleared, even parity checking and generation is used on the BDATA[15:0] data bus.

**MODE[1:0]**-DMA Mode. These bits configure the interface DMA mode of the Port B Interface with values as defined below.

<b>MODE[2:0]</b>	<b>DMA TYPE</b>
000	Reserved
001	FAS368 mode
010	43C97 ATA
011	Burst
100	Reserved
101	Reserved
110	Reserved
111	Reserved

## 6.7 IDENTIFICATION (ID0, ID1)

Read Only  
 Hardware Reset Value = 0x3540  
 Reset Command = 0x3540

**MMODE** =

0	1	
0x02	0x03	<b>ID[7:0]</b>
0x03	0x02	<b>ID[15:8]</b>

**ID[15:0]**- The bits of this register correspond to the identification code of the chip. This register is accessible when CMND is not a Selection Command.

## 6.8 PORT A POLARITY (APOL)

Read/Write  
 Hardware Reset Value = 0xFF  
 Reset Command = unchanged

**MMODE** =

0	1	bit7	bit6	bit5	bit4	bit3	bit2	bit1	bit0
0x02	0x03	<b>ACIN</b>	reserved	<b>ACOUT</b>	<b>AWR</b>	<b>ARD</b>	reserved	reserved	

The bits of this register correspond to Port A Interface signals. A set bit programs the corresponding signal to be active low. A cleared bit programs the corresponding signal to be active high. This register is only accessible when CMND is Select Port A Configuration.

## 6.9 PORT B POLARITY (BPOL)

Read/Write

Hardware Reset Value = 0xDF

Reset Command = unchanged

*MMODE* =

0	1	bit7	bit6	bit5	bit4	bit3	bit2	bit1	bit0
0x02	0x03	BCIN	reserved	BCOUT	BWR	BRD	reserved		

The bits of this register correspond to Port B Interface signals. A set bit programs the corresponding signal to be active low. A cleared bit programs the corresponding signal to be active high. This register is only accessible when CMND is Select Port B Configuration.

## 6.10 PORT A TRANSFER COUNT (ATCL0, ATCL1, ATCH0, ATCH1)

Read Only

Hardware Reset Value = 0x00000000

Reset Command = 0x00000000

### Port A Transfer Count Low

*MMODE* =

0	1	
0x06	0x07	ATCL[7:0]
0x07	0x06	ATCL[15:8]

### Port A Transfer Count High

*MMODE* =

0	1	
0x04	0x05	ATCH[7:0]
0x05	0x04	ATCH[15:8]

**ATC[31:0]**- Port A Transfer Count. These registers provide status information on the number of bytes transferred for a current data transfer operation. During a compression operation, ATC is incremented as each original data byte is received by the Port A Interface. When ATC equals the product of the Record Count and Record Length during compression, all bytes in the compression operation have been received by the AHA3540. During a decompression operation, ATC is incremented as each decompressed data byte is sent by the Port A Interface. This register is only accessible when CMND is not a Selection Command.

In the case where only one byte is required to complete a transfer operation (i.e., an odd number of bytes in the transfer), the ATC is incremented by one after the byte transfers. ATC should not be used to determine the decompression operation is complete. Instead, use the **DONE** status bit and/or interrupt. Data blocks of *Record Count* times *Record Length* must be smaller the  $(2^{32}-1)$  to prevent overflow of this 4-byte *Transfer Count* register. Reset on new transfer commands. Pad bytes are not counted.

## 6.11 RECORD COUNT (RCL0, RCL1, RCH0, RCH1)

Read/Write  
 Hardware Reset Value = 0x00000000  
 Reset Command = 0x00000000

### Record Count Low

*MMODE* =

0	1	
0x06	0x07	<b>RCL[7:0]</b>
0x07	0x06	<b>RCL[15:8]</b>

### Record Count High

*MMODE* =

0	1	
0x04	0x05	<b>RCH[7:0]</b>
0x05	0x04	<b>RCH[15:8]</b>

**RC[31:0]**- Record Count indicates the number of records to be compressed or decompressed. Record Count must be set to 0x00000001 during Decompression Bypass. If the Record Count must be written to during a compression operation, then the Empty at Port A (**EMPA**) *Status* bit must be set. If the Record Count must be written to during a decompression operation, then the Empty at Port B (**EMPB**) *Status* bit must be set.

## 6.12 PORT B COMPARE COUNT (BCCL0, BCCL1, BCCH0, BCCH1)

Read/Write  
 Hardware Reset Value = 0x00000000  
 Reset Command = 0x00000000

### Port B Compare Count Low

*MMODE* =

0	1	
0x06	0x07	<b>BCCL[7:0]</b>
0x07	0x06	<b>BCCL[15:8]</b>

### Port B Compare Count High

*MMODE* =

0	1	
0x04	0x05	<b>BCCH[7:0]</b>
0x05	0x04	<b>BCCH[15:8]</b>

**BCC[31:0]** Port B compare count register is used to pause the device after a specified number of bytes are transferred at the Port B interface. Port B Compare Count is a four byte register with the two most significant bytes contained in Port B Compare Count High (BCCH), and the two least significant bytes contained in the Port B Compare Count Low register (BCCL).

## 6.13 PORT B TRANSFER COUNT (BTCL0, BTCL1, BTCH0, BTCH1)

Read Only

Hardware Reset Value = 0x00000000

Reset Command = 0x00000000

### Port B Transfer Count Low

*M*MODE =

0	1	
0x0A	0x0B	BTCL[7:0]
0x0B	0x0A	BTCL[15:8]

### Port B Transfer Count High

*M*MODE =

0	1	
0x08	0x09	BTCH[7:0]
0x09	0x08	BTCH[15:8]

**BTC[31:0]** -Port B Transfer Count. These registers provide status information on the number of bytes transferred for a current data transfer operation. During a compression operation, BTC is incremented as each compressed data byte is sent by the Port B Interface. During a decompression operation, BTC is incremented as each compressed data byte is received by the Port B Interface. This register is only accessible when CMND is not a Selection Command.

In the special case where only one byte is required to complete a transfer operation (i.e., an odd number of bytes in the transfer), the BTC is incremented by one after the byte transfers. BTC should not be used to determine the decompression operation is complete. Instead, use the DONE status bit and/or interrupt. Data blocks of Record Count times Record Length must be smaller than  $(2^{32} - 1)$  to prevent overflow of this 4-byte transfer count register.

Reset by a new compression mode transfer command, but not by a new decompression mode transfer. Pad bytes are not counted.

## 6.14 PORT A FIFO DATA ACCESS (AFIF0, AFIF1)

Read/Write

Hardware Reset Value = 0x0000

Reset Command = 0x0000

*M*MODE =

0	1	
0x08	0x09	FA[7:0]
0x09	0x08	FA[15:8]

**FA[15:0]**- Port A FIFO Data register is a temporary holding register for data to be written to or read from the Port A interface FIFO. During compression bypass and compression operations, the Port A FIFO indicates it has received the data by resetting REQF in the AFCT register. During decompression bypass, decompression, and decompression output disabled operations, data may be read from this register after the Port A FIFO resets REQF in the AFCT register. This register is only accessible when CMND is a Select Port A Configuration Command. This register is reset by a new transfer.

## 6.15 COMPRESSED BYTES PROCESSED (CBPL0, CBPL1, CBPH0, CBPH1)

Read/Write

Hardware Reset Value = 0x00000000

Reset Command = 0x00000000

### Compressed Bytes Processed Low

*MMODE* =

0	1	
0x0A	0x0B	CBPL[7:0]
0x0B	0x0A	CBPL[15:8]

### Compressed Bytes Processed High

*MMODE* =

0	1	
0x08	0x09	CBPH[7:0]
0x09	0x08	CBPH[15:8]

**CBPL[31:0]** -Compressed Bytes Processed counter. Counts the total number of bytes processed by the ALDC decoder during decompression and decompression output disabled operations. It can be used in conjunction with the Port B Transfer Count to determine the number of compressed bytes, if any, that reside in the Port B interface and ALDC core.

## 6.16 PORT A FIFO CONTROL (AFCT)

Read/Write

Hardware Reset Value = 0x00

Reset Command = 0x00

*MMODE* =

0	1	<i>bit7</i>	<i>bit6</i>	<i>bit5</i>	<i>bit4</i>	<i>bit3</i>	<i>bit2</i>	<i>bit1</i>	<i>bit0</i>
0x0A	0x0B	reserved						ACCF	REQF

**ACCF** - Access FIFO. When set, access to the Port A FIFO is redirected from the Port A interface to the microprocessor interface. This bit is cleared after reset or a new transfer.

**REQF** - Request to FIFO. During compression bypass and compression operations, this bit is set to one requesting a write to the Port A FIFO. During decompression bypass, decompression, and decompression output disabled operations, this bit is set to one requesting a read from the Port A interface FIFO. This bit is cleared when the Port A FIFO has completed the request or after a reset. This register is only accessible when CMND is a Select Port A configuration command. Reset by a new transfer.

## 6.17 ERROR STATUS (ERRS)

Read Only

Hardware Reset Value = 0x00

Reset Command = 0x00

*MMODE* =

0	1	bit7	bit6	bit5	bit4	bit3	bit2	bit1	bit0
0x0C	0x0D	reserved	<b>APERR</b>	<b>BPERR</b>	reserved	<b>BTCO</b>	<b>ATCO</b>	<b>ADCC</b>	reserved

The *Error Status* register provides error status bits to the microprocessor. These bits are set regardless of the error mask settings. Reset by a new compression mode transfer.

**APERR** - Port A Interface Parity Error. This bit is set when a parity error is detected during a transfer into *ADATA*[15:0] and the Port A Interface Parity bit is set. It is cleared when a new compression mode transfer begins or when a reset occurs.

**BPERR** - Port B Interface Parity Error. This bit is set when a parity error is detected during a transfer into *BDATA*[15:0] and the Port B Interface Parity bit is set. It is cleared when a new compression mode transfer begins or when a reset occurs.

**BTCO** - Port B Transfer Count Overflow Error. This bit is set when a carry out is detected on the *Port B Transfer Count* register. It is cleared when a new compression mode transfer begins or when a reset occurs.

**ATCO** - Port A Transfer Count Overflow Error. This bit is set when a carry out is detected on the *Port A Transfer Count* register. It is cleared when a new compression mode transfer begins or when a reset occurs.

**ADCC** - ALDC Decoder Control Code Error. This bit is set during decompression when an invalid control code is detected in the compressed data stream. It is cleared when a new compression mode transfer begins or when a reset occurs.

## 6.18 INTERRUPT STATUS 0 (INTS0)

Read Only

Hardware Reset Value = 0x00

Reset Command = 0x00

*MMODE* =

0	1	bit7	bit6	bit5	bit4	bit3	bit2	bit1	bit0
0x0E	0x0F	<b>DONE</b>	<b>PAUSED</b>	<b>ODT</b>	reserved			<b>ERROR</b>	

Interrupt Status bits are reset by writing a zero. This is referred to as an interrupt reset. Writing a one has no effect. See Appendix A.1 for differences between *AHA3540* and *IBM ALDC1-20S-LP*.

**DONE** - Done Interrupt. This bit is set when data transfer has completed on the Port B Interface during compression and when data transfer has completed on the Port A Interface during decompression. It is cleared when a new compression mode transfer begins, when a reset occurs, or by an interrupt reset.

**PAUSED** - Paused Interrupt. This bit is set by a Pause command, or an unmasked data transfer interrupt. It is cleared when a new compression mode transfer begins, when a reset occurs, or by an interrupt reset.

**ODT** - Output Disabled Terminated. This bit is set when the end of record of the last suppressed record is processed by the ALDC decoder. This bit is cleared after reset, after an interrupt reset is written, or when a new compression mode transfer begins.

**ERROR** - Error Interrupt. This bit is set when an unmasked error occurs. It is cleared when a new compression mode transfer begins or when a reset occurs. The *Error Status* register is used to determine the cause of the error.

## 6.19 INTERRUPT STATUS 1 (INTS1)

Read/Write  
 Hardware Reset Value = 0x00  
 Reset Command = 0x00

<i>MMODE</i> =		<i>bit15</i>	<i>bit14</i>	<i>bit13</i>	<i>bit12</i>	<i>bit11</i>	<i>bit10</i>	<i>bit9</i>	<i>bit8</i>
0	1	<b>EORD</b>	<b>BCMP</b>	<b>BPB</b>	<b>EORPB</b>	reserved		<b>BPA</b>	<b>EORPA</b>
0x0F	0x0E								

The *Interrupt Status* bits **BPB**, **EORPB**, **BPA** and **EORPA** will only get set after the last word is transferred if the following *Interrupt Mask* bits are set: **BPBM**, **EORPBM**, **BPAM** and **EORPAM**. If these mask bits are set, the ALDC core provides end of transfer information, but no end of record information. See Appendix A.1 for differences between AHA3540 and IBM ALDC1-20S-LP.

- EORD** - End of Record at Decoder, This bit is set when the ALDC decoder detects an End of Record control code in the compressed data stream or when an ALDC Decoder Control Code Error occurs. This bit is cleared after reset, when an interrupt reset is written, or when a new compression mode transfer begins.
- BCMP** - Port B Interface Compare. This bit is set when Port B Transfer Count is greater than or equal to Port B Interface Compare Count. This bit is cleared after reset, when an interrupt reset is written, or when a new compression mode transfer begins.
- BPB** - One Byte at Port B. During compression bypass and compression operations, this bit is set at the same time the End of Record at Port B (STAT1[4] and INTS1[4]) is set if only one byte at the Port B Interface is part of the current record. During decompression bypass operation, this bit is set during the last data transfer of the record at the Port B Interface if only one byte belongs to the current record. This bit is cleared after reset, when an interrupt reset is written, or when a new compression mode transfer begins.
- EORPB** - End of Record at Port B. During compression bypass and compression operations, this bit is set when the last byte of a compressed record is transferred out of the Port B interface. During decompression bypass operations, this bit is set when the last byte of a record is transferred into the Port B interface. This bit is cleared after reset, when an interrupt reset is written, or when a new compression mode transfer begins.
- BPA** - One Byte at Port A. During compression bypass and compression operations, this bit is set during the last data transfer of the record at the Port A interface if only one byte belongs to the current record. During decompression bypass, decompression, and decompression output disabled modes, this bit is set the same time the End of Record at Port A interface bit (STAT1[0] and INTS1[0]) is set if only one byte at the Port A interface is part of the current record. This bit is cleared after reset, when an interrupt reset is written, or when a new compression mode transfer begins.
- EORPA** - End of Record at Port A. During compression bypass and compression operations, this bit is set each time the Record Length (RL) is decremented to zero. During decompression bypass, decompression, and decompression output disabled operations, this bit is set when the last byte of a record is transferred out the Port A interface. This bit is cleared after reset, when an interrupt reset is written, or when a new compression mode transfer begins.

## 6.20 COMMAND (CMND)

Read/Write  
 Hardware Reset Value = 0x0000  
 Reset Command = 0xA000

**MMODE =**

0	1	
0x10	0x11	CMND[7:0]
0x11	0x10	CMND[15:8]

Unspecified opcodes are reserved and may not be written.

**CMND[15:0]**-Command. This register provides for operation as described in the following table.

<b>CMND[15:0]</b>	<b>ACTION</b>
<b>SELECTION COMMANDS</b>	
0xC100	Select Port A Configuration. The <i>Port A Configuration</i> and <i>Port A Polarity</i> registers are enabled for reads and writes.
0xC200	Select Port B Configuration. The <i>Port B Configuration</i> and <i>Port B Polarity</i> registers are enabled for reads and writes.
<b>TRANSFER COMMANDS</b> (Described in Sections 2.0 and 3.0)	
0x5000-0x500F	Start Compression Bypass. – CMND[3:2] determines the number of pad bytes to expect at the Port A interface. – CMND[1:0] determines the number of pad bytes to insert at the Port B interface.
0x5800-0x580F	Start Compression. – CMND[3:2] determines the number of pad bytes to expect at the Port A interface. – CMND[1:0] determines the number of pad bytes to insert at the Port B interface.
0x6000-0x600F	Start Decompression Bypass. – CMND[3:2] determines the number of pad bytes to expect at the Port B interface. – CMND[1:0] determines the number of pad bytes to insert at the Port A interface.
0x6800-0x680F	Start Decompression. – CMND[3:2] determines the number of pad bytes to expect at the Port B interface. – CMND[1:0] determines the number of pad bytes to insert at the Port A interface.
0x6C00-0x6C0F	Start Decompression Output Disabled. – CMND[3:2] determines the number of pad bytes to expect at the Port B interface. – CMND[1:0] determines the number of pad bytes to insert at the Port A interface.
<b>CONTROL COMMANDS</b>	
0x4200	Pause. When a data transfer operation is in progress, any current operation steps are completed and the Port A Interface and Port B Interface data busses are placed into a high impedance state. The Paused Interrupt and Paused Status bits are then set. All data currently being processed by the data transfer operation is preserved.
0x4400-0x440F	Resume. A previously paused data transfer operation resumes processing. The Paused Interrupt and Paused status bits are cleared and the Busy status bit is set. – RESUME[3:2] determines the number of pad bytes to expect at the Port B interface. – RESUME[1:0] determines the number of pad bytes to insert at the Port A interface.
0xA000	Software Reset. The <i>Port A Configuration</i> , <i>Port B Configuration</i> , <i>Identification</i> , <i>Port A Polarity</i> , and <i>Port B Polarity</i> registers are not affected by this command. All other registers are reset, current operations are cancelled, and the history buffer is cleared. Twelve clocks are required to complete the reset operation. Suspend writing to any registers during this time.
0xA400	Reset the history buffer. Only use between compression operations.
<b>MISCELLANEOUS COMMANDS</b>	
0x0000	NOP, no operation is performed.



## 6.21 RECORD LENGTH (RLL0, RLL1, RLH0, RLH1)

Read/Write  
 Hardware Reset Value = 0x00000000  
 Reset Command = 0x00000000

### Record Length Low

*MMODE* =

0	1	
0x16	0x17	<b>RLL[7:0]</b>
0x17	0x16	<b>RLL[15:8]</b>

### Record Length High

*MMODE* =

0	1	
0x14	0x15	<b>RLH[7:0]</b>
0x15	0x14	<b>RLH[15:8]</b>

**RL[31:0]**- The Record Length register indicates the number of Bytes contained in each uncompressed data record for compression bypass and compression operations. This register decrements with each Byte transferred into Port A. When the Record Length reaches zero, the Port Interface bits STAT1[8] and INTS1[8] are set. During decompression bypass operations, the Record Length register indicates the total number of bytes to transfer. Record Length is not used for decompression and decompression output disabled operations.

When processing multiple records (Record Count is greater than one), the Record Length must be greater than 0x22. If Record Length = 0x00000000 when a new transfer or resume command are written, the counter rolls over to 0x10000000. When Record Count is greater than 1, then Record Length must be greater than 0x22. Pad bytes are not counted.

## 6.22 DATA DISABLED COUNT (DDCL0, DDCL1, DDCH0, DDCH1)

Read/Write  
 Hardware Reset Value = 0x00000000  
 Reset Command = 0x00000000

### Data Disabled Count Low

*MMODE* =

0	1	
0x1A	0x1B	<b>DDCL[7:0]</b>
0x1B	0x1A	<b>DDCL[15:8]</b>

### Data Disabled Count High

*MMODE* =

0	1	
0x18	0x19	<b>DDCH[7:0]</b>
0x19	0x18	<b>DDCH[15:8]</b>

**DDC[31:0]**- Data Disabled Count. The *Data Disabled Count* register provides the microprocessor control of the number of records skipped during a Start Decompression Output Disabled operation. If the Data Disabled Count is set to zero during a Start Decompression Output Disabled operation or the DDC is greater than the Record Count during a Start Decompression Output Disabled operation, then the Port A Interface output is disabled for the entire transfer.

## 6.23 ERROR MASK (EMSK)

---

Read/Write  
 Hardware Reset Value = 0x00  
 Reset Command = 0x00

*MMODE* =

<i>0</i>	<i>1</i>	<i>bit7</i>	<i>bit6</i>	<i>bit5</i>	<i>bit4</i>	<i>bit3</i>	<i>bit2</i>	<i>bit1</i>	<i>bit0</i>
0x1C	0x1D	reserved	<b>APERRM</b>	<b>BPERRM</b>	reserved	<b>BTCOM</b>	<b>ATCOM</b>	<b>ADCCM</b>	reserved

The *Error Mask* register provides error reporting configuration to the microprocessor. If an unmasked error status bit is active, ANYERR status and ERROR interrupts are set. Errors are masked by setting the appropriate mask bit to one.

**APERRM** - Port A Interface Parity Error Mask.

**BPERRM** - Port B Interface Parity Error Mask.

**BTCOM** - Port B Transfer Count Overflow Error Mask.

**ATCOM** - Port A Transfer Count Overflow Error Mask.

**ADCCM** - ALDC Decoder Control Code Error Mask.

## 6.24 INTERRUPT MASK 0 (IMSK0)

Read/Write  
Hardware Reset Value = 0x00  
Reset Command = 0x00

*MMODE* =

0	1	<i>bit7</i>	<i>bit6</i>	<i>bit5</i>	<i>bit4</i>	<i>bit3</i>	<i>bit2</i>	<i>bit1</i>	<i>bit0</i>
0x1E	0x1F	<b>DONEM</b>	<b>PAUSEDM</b>	<b>ODTM</b>	reserved				<b>ERRORM</b>

The *Interrupt Mask 0* register masks the individual interrupts allowing the user to control which ones may cause the Interrupt signal pin (IREQN) to assert. For example, if DONEM and PAUSEDM are set with ERRORM cleared, only an ERROR interrupt will cause the Interrupt signal pin to assert. Interrupts are masked by setting the appropriate mask bit to one.

**DONEM** - Done Interrupt Mask.

**PAUSEDM** - Paused Interrupt Mask.

**ODTM** - Output Disabled Terminated Mask.

**ERRORM** - Error Interrupt Mask.

## 6.25 INTERRUPT MASK 1 (IMSK1)

Read/Write  
Hardware Reset Value = 0x00  
Reset Command = 0x00

*MMODE* =

0	1	<i>bit15</i>	<i>bit14</i>	<i>bit13</i>	<i>bit12</i>	<i>bit11</i>	<i>bit10</i>	<i>bit9</i>	<i>bit8</i>
0x1F	0x1E	<b>EORDM</b>	<b>BCMPM</b>	<b>BPBM</b>	<b>EORPBM</b>	reserved		<b>BPAM</b>	<b>EORPAM</b>

The *Interrupt Mask 1* register masks the individual interrupts allowing the user to control which ones may cause the Interrupt signal pin (IREQN) to assert. Interrupts are masked by setting the appropriate mask bit to one.

**EORDM** - End of Record at Decoder Interrupt Mask.

**BCMPM** - Port B Interface Compare Interrupt Mask.

**BPBM** - One Byte at Port B Interrupt Mask.

**EORPBM** - End of Record at Port B Interrupt Mask.

**BPAM** - One Byte at Port A Interrupt Mask.

**EORPAM** - End of Record at Port A Interrupt Mask.

## 7.0 SIGNAL DESCRIPTIONS

This section contains descriptions for all the pins. Each signal has a type code associated with it. The type codes are described in the following table.

<i>TYPE CODE</i>	<i>DESCRIPTION</i>
I	Input only pin
O	Output only pin
I/O	Input/Output pin

### 7.1 MICROPROCESSOR INTERFACE

<i>MICROPROCESSOR INTERFACE</i>			
<i>SIGNAL</i>	<i>TYPE</i>	<i>DESCRIPTION</i>	<i>DEFAULT AFTER RESET</i>
MDATA[7:0]	I/O	Microprocessor data bus	Hi-Z
MCIN[0]	I	Microprocessor interface control pin [0]. If MMODE is high this pin is CSN. If MMODE is low this pin is READN.	Input
MCIN[1]	I	Microprocessor interface control pin [1]. If MMODE is high this pin is RWN. If MMODE is low this pin is WRITEN.	Input
WAITN	O	Microprocessor output signal. WAITN is driven during CSN and then goes to tristate with a resistive pullup.	High
ADDR[4:0]	I	Microprocessor Interface address bus, used to select internal registers.	Input
MMODE	I	Microprocessor Interface mode selector pin.	Input
RESETN	I	Hardware reset signal.	Input
IREQN	O	Interrupt request output signal.	High
CLOCK	I	Clock input	Input
+TIE	I	These pins must be tied high in the system.	Input
-TIE	I	These pins must be tied low in the system.	Input

## 7.2 PORT A INTERFACE

<b>PORT A INTERFACE</b>			
<b>SIGNAL</b>	<b>TYPE</b>	<b>DESCRIPTION</b>	<b>DEFAULT AFTER RESET</b>
ACIN	I	Port A Interface Control Input signal. This signal functions as DREQA. Polarity is programmed by APOL[7].	Input
ACOUT	O	Port A Interface Control Output signal. This signal functions as DACKA. Polarity is programmed by APOL[5].	High
AWR	O	Port A Interface Control Output signal. Polarity is controlled by APOL[4].	High
ARD	O	Port A Interface Control Output signal. Polarity is controlled by APOL[3].	High
APARITY[1:0]	I/O	When enabled, this pin checks parity on input and generates parity for output for the AD bus. APARITY[0] is used for AD[7:0], and APARITY[1] is used for AD[15:8]. Setting ACNF[15]=1 enables APARITY. When disabled these pins may be tied high, tied low or not connected.	Hi-Z
ADATA[15:0]	I/O	Port A Interface Data bus.	Hi-Z

*Note:* Refer to Section 5.0 Port A and Port B Configuration for configuration of Port A control signals.

## 7.3 PORT B INTERFACE

<b>PORT B INTERFACE</b>			
<b>SIGNAL</b>	<b>TYPE</b>	<b>DESCRIPTION</b>	<b>DEFAULT AFTER RESET</b>
BCIN	I	Port B Interface Control Input signal. This signal functions as DACKB. Polarity is programmed by BPOL[7].	Input
BCOUT	O	Port B Interface Control Output signal. This signal functions as DREQB. Polarity is programmed by BPOL[5].	Low
BWR	I	Port B Interface Control Input signal. Polarity is controlled by BPOL[4].	Input
BRD	I	Port B Interface Control Input signal. Polarity is controlled by BPOL[3].	Input
BPARITY[1:0]	I/O	When enabled, this pin checks parity on input and generates parity for output for the BD bus. BPARITY[0] is used for BD[7:0], and BPARITY[1] is used for BD[15:8]. Setting BCNF[15]=1 enables BPARITY. When disabled these pins may be tied high, tied low or not connected.	Hi-Z
BDATA[15:0]	I/O	Port B Interface Data bus.	Hi-Z

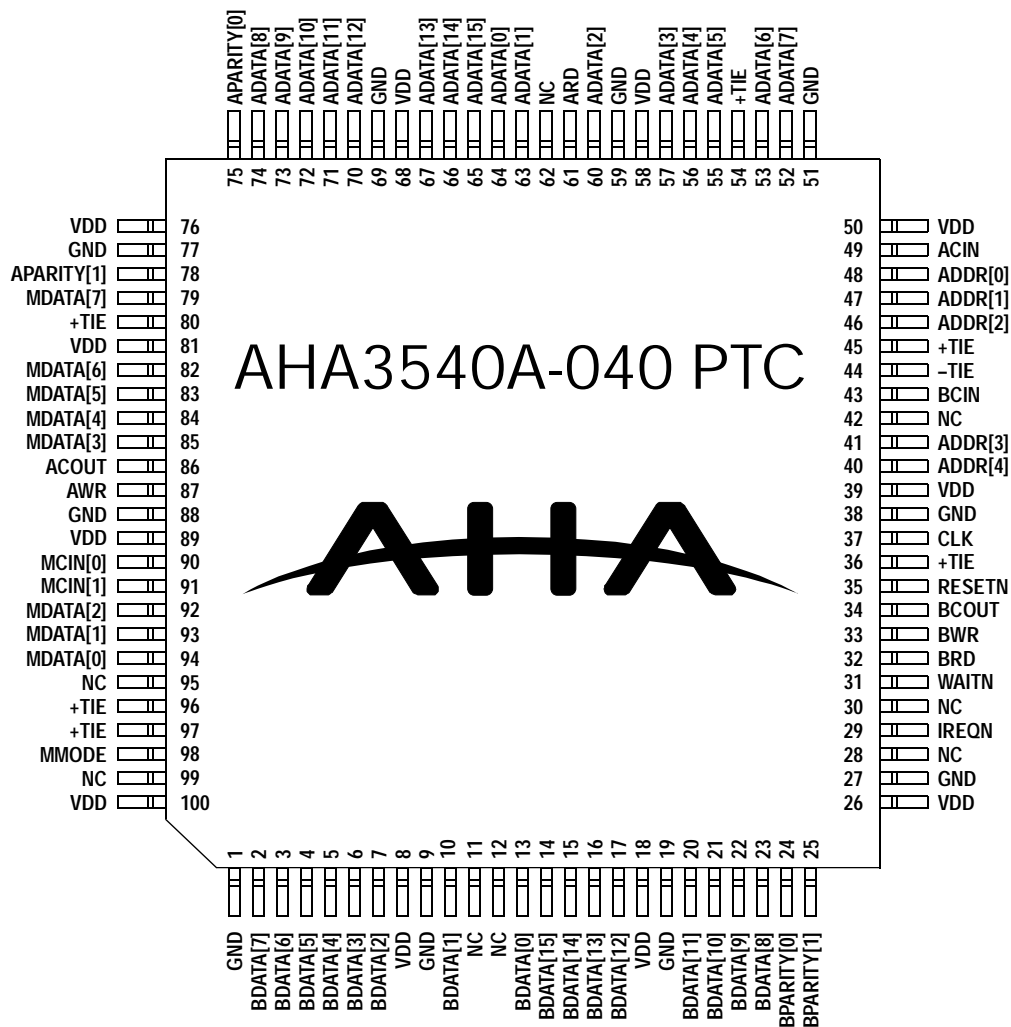
*Note:* Refer to Section 5.0 Port A and Port B Configuration for configuration of Port B control signals.

## 8.0 PINOUT

<i>PIN TQFP</i>	<i>SIGNAL</i>
99	No Connect
100	VDD
1	GND
2	BDATA[7]
3	BDATA[6]
4	BDATA[5]
5	BDATA[4]
6	BDATA[3]
7	BDATA[2]
8	VDD
9	GND
10	BDATA[1]
11	No Connect
12	No Connect
13	BDATA[0]
14	BDATA[15]
15	BDATA[14]
16	BDATA[13]
17	BDATA[12]
18	VDD
19	GND
20	BDATA[11]
21	BDATA[10]
22	BDATA[9]
23	BDATA[8]
24	BPARITY[0]
25	BPARITY[1]
26	VDD
27	GND
28	No Connect
29	IREQN
30	No Connect
31	WAITN
32	BRD
33	BWR
34	BCOUT
35	RESETN
36	+TIE
37	CLK
38	GND
39	VDD
40	ADDR[4]
41	ADDR[3]
42	No Connect
43	BCIN
44	-TIE
45	+TIE
46	ADDR[2]
47	ADDR[1]
48	ADDR[0]

<i>PIN TQFP</i>	<i>SIGNAL</i>
49	ACIN
50	VDD
51	GND
52	ADATA[7]
53	ADATA[6]
54	+TIE
55	ADATA[5]
56	ADATA[4]
57	ADATA[3]
58	VDD
59	GND
60	ADATA[2]
61	ARD
62	No Connect
63	ADATA[1]
64	ADATA[0]
65	ADATA[15]
66	ADATA[14]
67	ADATA[13]
68	VDD
69	GND
70	ADATA[12]
71	ADATA[11]
72	ADATA[10]
73	ADATA[9]
74	ADATA[8]
75	APARITY[0]
76	VDD
77	GND
78	APARITY[1]
79	MDATA[7]
80	+TIE
81	VDD
82	MDATA[6]
83	MDATA[5]
84	MDATA[4]
85	MDATA[3]
86	ACOUT
87	AWR
88	GND
89	VDD
90	MCIN[0]
91	MCIN[1]
92	MDATA[2]
93	MDATA[1]
94	MDATA[0]
95	No Connect
96	+TIE
97	+TIE
98	MMODE

Figure 4: TQFP Pinout



NC = No Connect

Notes:

- 1) See Appendix A.2 for differences in pinout requirements between the AHA3540 and IBM ALDC1-20S-LP.
- 2) IBM is a registered trademark of IBM

## 9.0 ELECTRICAL SPECIFICATIONS

### 9.1 ABSOLUTE MAXIMUM RATINGS

<i>ABSOLUTE MAXIMUM RATINGS</i>					
<i>SYMBOL</i>	<i>PARAMETER</i>	<i>MIN</i>	<i>MAX</i>	<i>UNITS</i>	<i>NOTES</i>
Vdd	Power supply voltage		3.6	Volts	
Vpin	Voltage applied to any signal pin	0	5.5	Volts	

### 9.2 RECOMMENDED OPERATING CONDITIONS

<i>RECOMMENDED OPERATING CONDITIONS</i>					
<i>SYMBOL</i>	<i>PARAMETER</i>	<i>MIN</i>	<i>MAX</i>	<i>UNITS</i>	<i>NOTES</i>
Vdd	Power supply voltage	3.0	3.6	Volts	
Ta	Ambient temperature	0	+70	°C	
Tc	Case temperature		+95	°C	

### 9.3 DC SPECIFICATIONS

<i>DC SPECIFICATIONS</i>							
<i>SYMBOL</i>	<i>PARAMETER</i>	<i>CONDITIONS</i>	<i>MIN</i>	<i>TYP</i>	<i>MAX</i>	<i>UNITS</i>	<i>NOTES</i>
Vil	Input low voltage			0	0.8	Volts	
Vih	Input high voltage		2.0	3.3	5.5	Volts	
Vol	Output low voltage	Iol = 4.0 mAmps	0	0	0.4	Volts	
Voh	Output high voltage	Ioh = -0.4 mAmps	2.4	3.3	Vdd	Volts	
Iil	Input low current	Vin = 0 Volts			5	μAmps	
Iih	Input high current	Vin = Vdd Volts			5	μAmps	
Iozl	Output tristate low current	Vout = 0 Volts			20	μAmps	
Iozh	Output tristate high current	Vout = Vdd Volts			20	μAmps	
IddA	Active Idd current	Vdd = 3.6 Volts			TBD	mAmps	1
Idd	Supply current (static)				TBD	mAmps	
Iol	Low level output current				TBD	mAmps	
Ioh	High level output current				TBD	mAmps	
Cin	Input capacitance				3	pF	
Cout	Output capacitance				6	pF	

Notes:

1) Test Conditions: worst case compression current; 0mA loads.



## 10.0 TIMING SPECIFICATIONS

Notes:

1) All AC timings are referenced to 1.4 Volts.

Figure 5: Clock Timing

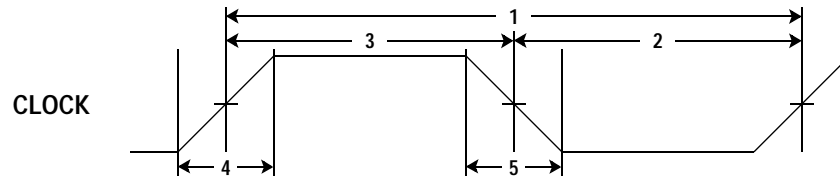


Table 2: Clock Timing

NUMBER	PARAMETER	MIN	MAX	UNITS	NOTES
1	CLK period	12.5		ns	1
2	CLK low pulsewidth	5		ns	1
3	CLK high pulsewidth	5		ns	1
4	CLK rise time		3	ns	2
5	CLK fall time		3	ns	2

Notes:

1) All AC Timings are referenced to 1.4 Volts

2) Rise and fall times are between 0.1 V<sub>dd</sub> and 0.9 V<sub>dd</sub>.

Figure 6: Reset Timing

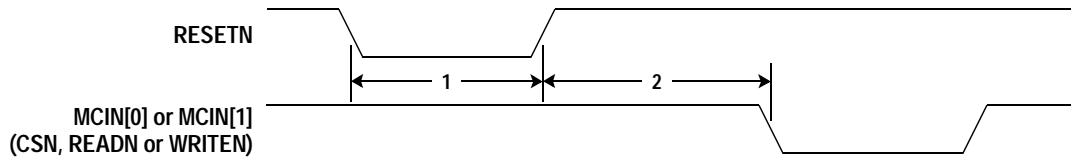


Table 3: Reset Timing

NUMBER	PARAMETER	MIN	MAX	UNITS	NOTES
1	RESETN pulsewidth	5		clocks	
2	RESETN delay to CSN, READN or WRITEN	3		clocks	

Figure 7: Processor Read Timing, MMODE = 1

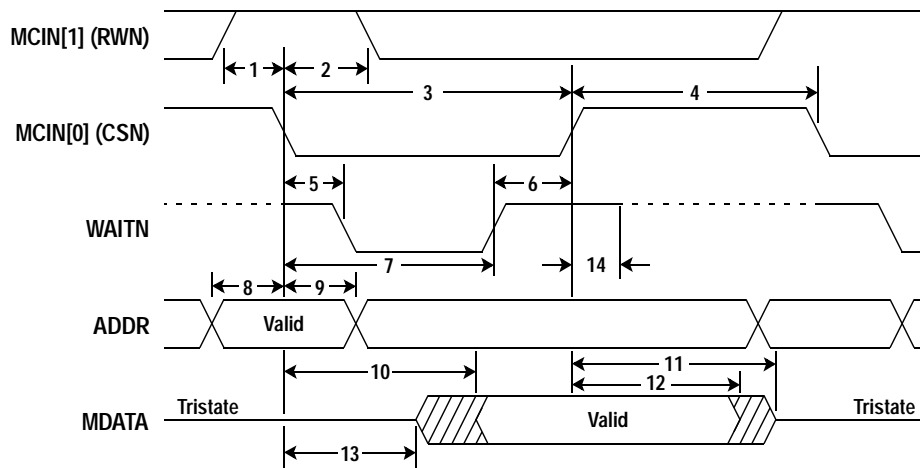


Table 4: Processor Read Timing, MMODE = 1

NUMBER	PARAMETER	MIN	MAX	UNITS	NOTES
1	RWN setup to CSN asserted	4		ns	
2	RWN hold from CSN asserted	4		ns	
3	CSN pulsewidth	3		clocks	1
4	Delay from CSN deasserted until next CSN	1 clock+5 ns			
5	CSN asserted to WAITN asserted		18	ns	
6	CSN hold from WAITN deasserted	0		ns	1
7	WAITN deasserted from CSN asserted	2 clocks	3 clocks+18 ns		
8	ADDR setup to CSN asserted	2		ns	2
9	ADDR hold from CSN asserted	6		ns	2
10	MDATA valid from CSN asserted		2 clocks+15 ns		
11	MDATA tristate from CSN deasserted	3	20	ns	
12	MDATA hold from CSN deasserted	3	20	ns	
13	CSN asserted to MDATA driven	1 clock			
14	CSN deasserted to WAITN tristate		10	ns	

Note:

- 1) When WAITN causes CSN to deassert, ignore number 3, otherwise ignore number 6.
- 2) The device latches ADDR on the falling edge of CSN. The user should latch MDATA on the rising edge of CSN.

Figure 8: Processor Write Timing, MMODE = 1

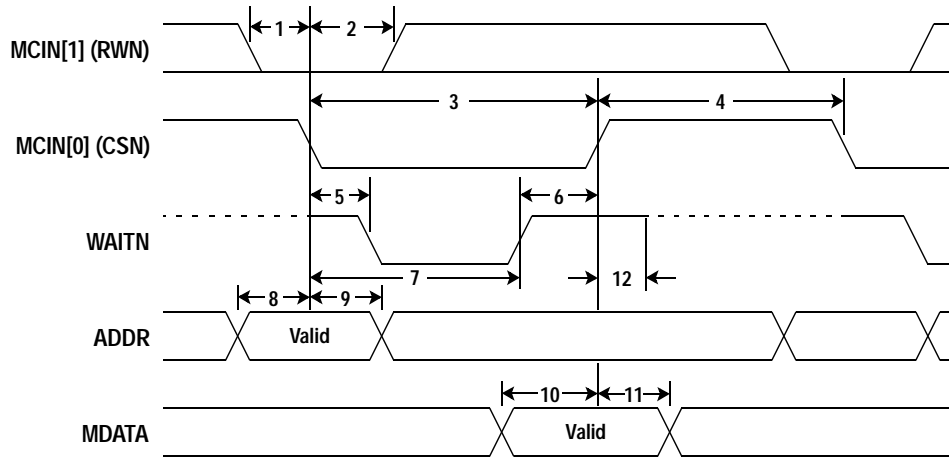


Table 5: Processor Write Timing, MMODE = 1

NUMBER	PARAMETER	MIN	MAX	UNITS	NOTES
1	RWN setup to CSN asserted	4		ns	
2	RWN hold from CSN asserted	4		ns	
3	CSN pulsewidth	2		clocks	1
4	Delay from CSN deasserted until next CSN	1 clock+5 ns			2
5	CSN asserted to WAITN asserted		18	ns	
6	CSN hold from WAITN deasserted	0		ns	1
7	WAITN deasserted from CSN asserted	1 clock	2 clocks+18 ns		
8	ADDR setup to CSN asserted	2		ns	3
9	ADDR hold from CSN asserted	6		ns	3
10	MDATA valid before CSN deasserted	4		ns	
11	MDATA hold from CSN deasserted	4		ns	
12	CSN deasserted to WAITN tristate		10	ns	

Notes:

- 1) When WAITN causes CSN to deassert, ignore number 3, otherwise ignore number 6.
- 2) When a read to a register immediately follows a write to that same register or to the command register, CSN must deassert for a minimum of 3 clocks after the write.
- 3) The device latches ADDR on the falling edge of CSN.

Figure 9: Processor Read Timing, MMODE = 0

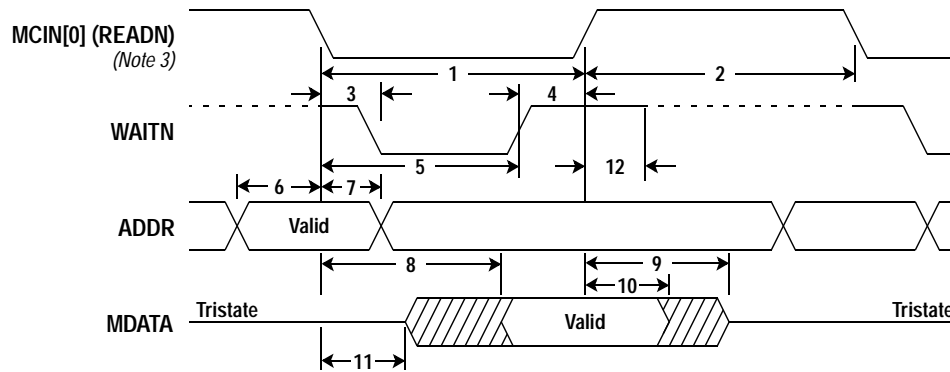


Table 6: Processor Read Timing, MMODE = 0

NUMBER	PARAMETER	MIN	MAX	UNITS	NOTES
1	READN pulsewidth	3		clocks	1
2	Delay from READN deasserted until next READN	2		clocks	
3	READN asserted to WAITN asserted		18	ns	
4	READN hold from WAITN deasserted	0		ns	1
5	WAITN deasserted from READN asserted	2 clocks	3 clocks+18 ns		
6	ADDR setup to READN asserted	2		ns	2
7	ADDR hold from READN asserted	6		ns	2
8	MDATA valid from READN asserted		2 clocks+15 ns		
9	MDATA tristate from READN deasserted		20	ns	
10	MDATA hold from READN deasserted	3		ns	
11	MDATA asserted from READN asserted	1 clock			
12	READN deasserted to WAITN tristate		10	ns	

Notes:

- 1) When WAITN causes READN to deassert ignore number 1, otherwise ignore number 4.
- 2) The device latches ADDR on the falling edge of READN. The user should latch MDATA on the rising edge of READN.
- 3) WRITEN must be deasserted during register reads.

Figure 10: Processor Write Timing, MMODE = 0

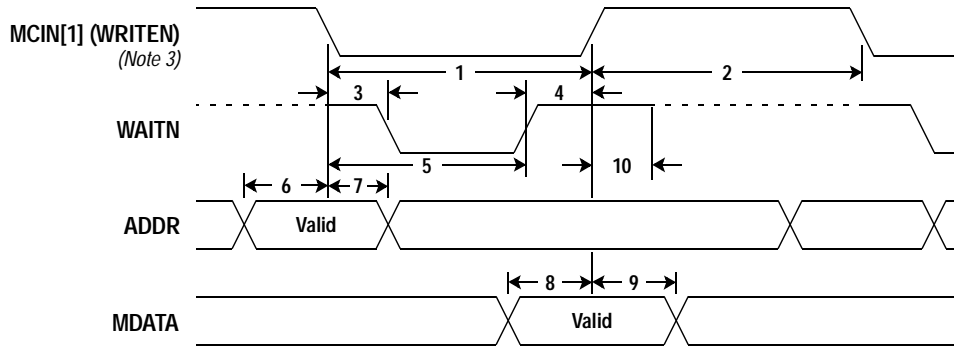


Table 7: Processor Write Timing, MMODE = 0

NUMBER	PARAMETER	MIN	MAX	UNITS	NOTES
1	WRITEN pulsewidth	2		clocks	1
2	Delay from WRITEN deasserted until next WRITEN	3		clocks	
3	WRITEN asserted to WAITN asserted		18	ns	
4	WRITEN hold from WAITN deasserted	0		ns	1
5	WAITN deasserted from WRITEN asserted	1 clock	2 clocks+18 ns		
6	ADDR setup to WRITEN asserted	2		ns	2
7	ADDR hold from WRITEN asserted	6		ns	2
8	MDATA valid before WRITEN deasserted	4		ns	
9	MDATA hold from WRITEN deasserted	4		ns	
10	WRITEN deasserted to WAITN tristate		10	ns	

Notes:

- 1) When WAITN causes WRITEN to deassert ignore number 1, otherwise ignore number 4.
- 2) The device latches ADDR on the falling edge of WRITEN.
- 3) READN must be deasserted during register writes.

Figure 11: Port A Burst Write Timing, Slave Mode

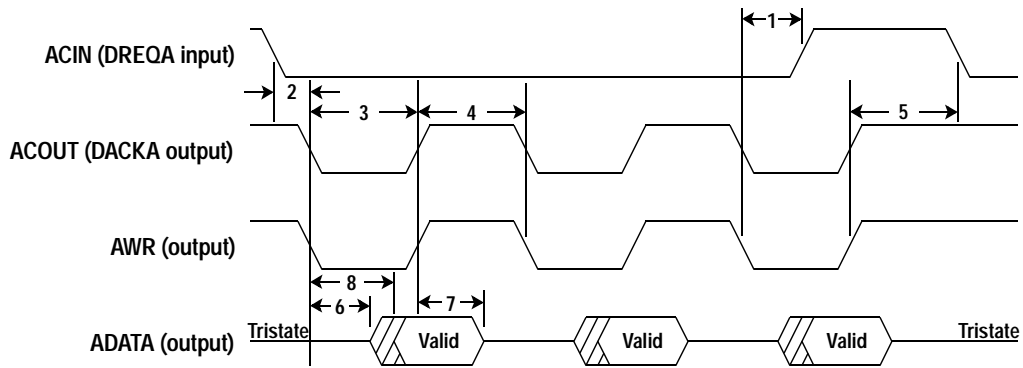


Table 8: Port A Burst Write Timing, Slave Mode

NUMBER	PARAMETER	MIN	MAX	NOTES
1	Last DACKA asserted to DREQA deasserted, end of burst	0 ns	2 clocks–10 ns	1, 2
2	DREQA asserted to first DACKA asserted, start of burst	1 clock		1, 2
3	DACKA pulsewidth	2 clocks–8 ns	2 clocks+8 ns	1, 2
4	DACKA deasserted to DACKA asserted	2 clocks–8 ns		1, 2
5	Last DACKA deasserted to next DREQA asserted, next burst	2 clocks		1, 2
6	ADATA (output) driven from DACKA asserted	1 clock–5 ns		1, 2
7	ADATA (output) hold from DACKA deasserted	1 clock–10 ns	1 clock+5 ns	1, 2
8	ADATA (output) valid from DACKA asserted		1 clock+10 ns	1, 2

Notes:

- 1) These timings are valid for inverted signal polarities.
- 2) The unit clock refers to the clock input. For this interface the maximum clock frequency is 40 MHz.

Figure 12: Port A Burst Read Timing, Slave Mode

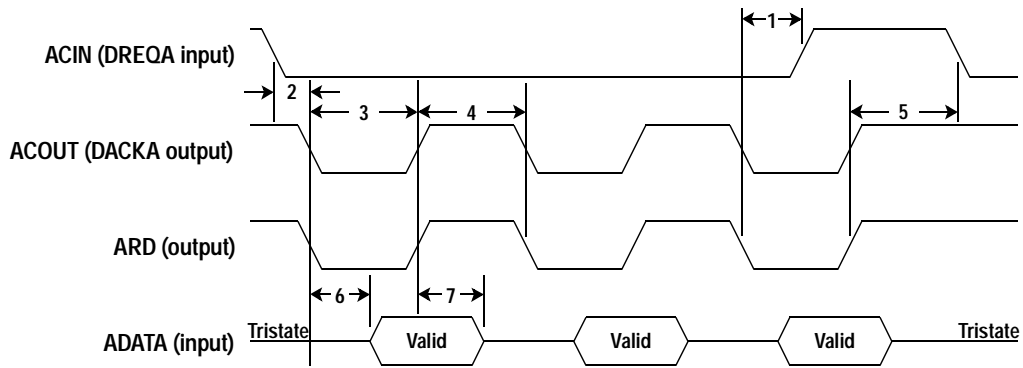


Table 9: Port A Burst Read Timing, Slave Mode

NUMBER	PARAMETER	MIN	MAX	NOTES
1	Last DACKA asserted to DREQA deasserted, end of burst	0 ns	1 clock+15 ns	1, 2
2	DREQA asserted to first DACKA asserted, start of burst	1 clock		1, 2
3	DACKA pulsewidth	2 clocks-8 ns	2 clocks+8 ns	1, 2
4	DACKA deasserted to DACKA asserted	2 clocks-8 ns		1, 2
5	Last DACKA deasserted to next DREQA asserted, next burst	2 clocks		1, 2
6	ADATA (input) valid after DACKA asserted		2 clocks-18 ns	1, 2
7	ADATA (input) hold from DACKA deasserted	0		1, 2

Notes:

- 1) These timings are valid for inverted signal polarities.
- 2) The unit clock refers to the clock input. For this interface the maximum clock frequency is 40 MHz.

Figure 13: Port B Burst Read Timing, Master Mode

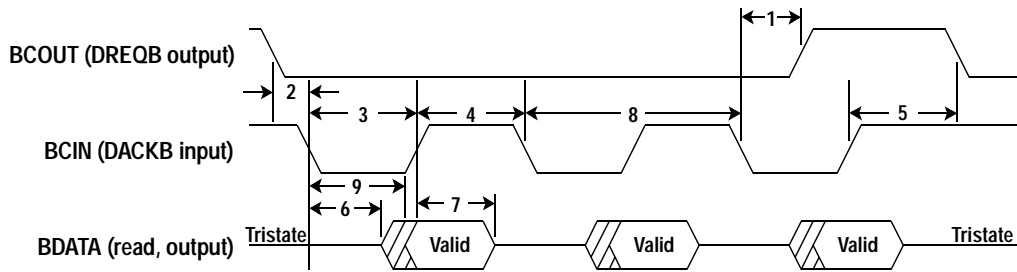


Table 10: Port B Burst Read Timing, Master Mode

NUMBER	PARAMETER	MIN	MAX	NOTES
1	Last DACKB asserted to DREQB deasserted, end of burst		1 clock+15ns	1, 2
2	DREQB asserted to first DACKB asserted, start of burst	1 clock		1, 2
3	DACKB pulsewidth	2 clocks		1, 2
4	DACKB deasserted to DACKB asserted	2 clocks		1, 2
5	Last DACKB deasserted to next DREQB asserted, next burst	2 clocks		1, 2
6	BDATA (output) driven from DACKB asserted	2 ns		1, 2
7	BDATA (output) hold from DACKB deasserted	2 ns	23 ns	1, 2
8	DACKB cycle time	4 clocks		1, 2
9	BDATA (output) valid from DACKB asserted		23 ns	1, 2

Notes:

- 1) These timings are valid for inverted signal polarities.
- 2) The unit clock refers to the clock input. For this interface the maximum clock frequency is 40 MHz.



Figure 14: Port B Burst Write Timing, Master Mode

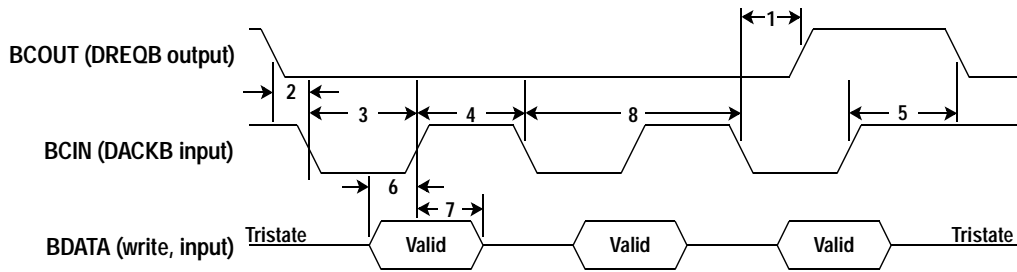


Table 11: Port B Burst Write Timing, Master Mode

NUMBER	PARAMETER	MIN	MAX	NOTES
1	Last DACKB asserted to DREQB deasserted, end of burst		1 clock+15ns	1, 2
2	DREQB asserted to first DACKB asserted, start of burst	1 clock		1
3	DACKB pulsewidth	2 clocks		1
4	DACKB deasserted to DACKB asserted	2 clocks		1
5	Last DACKB deasserted to next DREQB asserted, next burst	2 clocks		1
6	BDATA (input) valid before DACKB deasserted	4 ns		1
7	BDATA (input) hold from DACKB deasserted	8 ns		1
8	DACKB cycle time	4 clocks		1

Notes:

- 1) These timings are valid for inverted signal polarities.
- 2) The unit clock refers to the clock input. For this interface the maximum clock frequency is 40 MHz.

Figure 15: Port A Write Timing, FAS368 Slave Mode

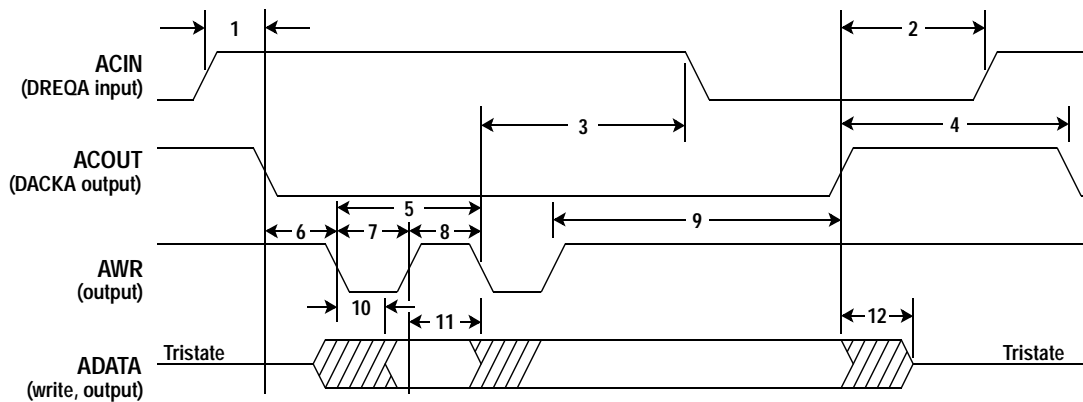


Table 12: Port A Write Timing, FAS368 Slave Mode

NUMBER	PARAMETER	MIN	MAX	NOTES
1	DREQA asserted to DACKA asserted	2 clocks		2
2	DACKA deasserted to DREQA asserted	2 ns		
3	AWR asserted to DREQA deasserted		12 ns	2
4	DACKA deasserted to DACKA asserted	4 clocks–5 ns		2
5	AWR asserted to AWR asserted	4 clocks–4 ns		2
6	DACKA asserted to AWR asserted	4 clocks–5 ns		2
7	AWR asserted pulsewidth	2 clocks–2 ns		2
8	AWR deasserted pulsewidth	2 clocks–2 ns		2
9	AWR deasserted to DACKA deasserted	2 clocks–2 ns		2
10	AWR asserted to ADATA write valid		10 ns	
11	AWR deasserted to ADATA write invalid	5 ns		
12	DACKA deasserted to ADATA write tristate		15 ns	

Notes:

1) The unit clock refers to the clock input. For this interface the maximum clock frequency is 80 MHz.

Figure 16: Port A Read Timing, FAS368 Slave Mode

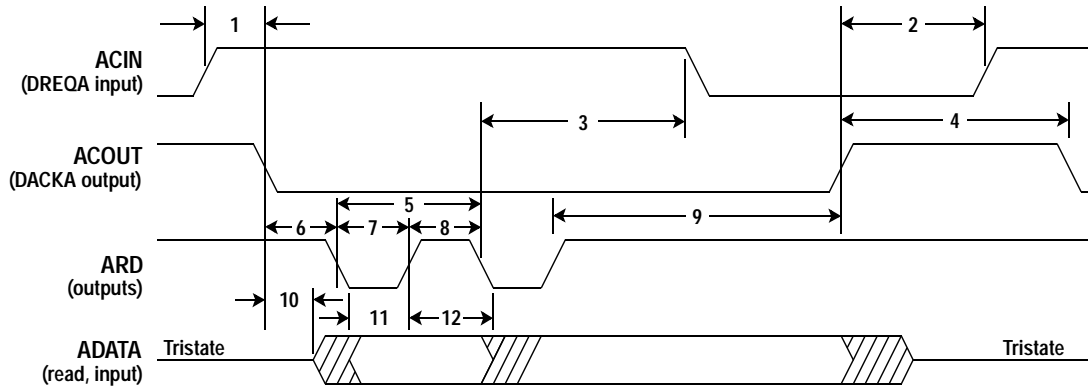


Table 13: Port A Read Timing, FAS368 Slave Mode

NUMBER	PARAMETER	MIN	MAX	NOTES
1	DREQA asserted to DACKA asserted	2 clocks		2
2	DACKA deasserted to DREQA asserted	2 ns		
3	ARD asserted to DREQA deasserted		12 ns	2
4	DACKA deasserted to DACKA asserted	4 clocks–5 ns		2
5	ARD asserted to ARD asserted	4 clocks–4 ns		2
6	DACKA asserted to ARD asserted	4 clocks–5 ns		2
7	ARD asserted pulsewidth	2 clocks–2 ns		2
8	ARD deasserted pulsewidth	2 clocks–2 ns		2
9	ARDR deasserted to DACKA deasserted	2 clocks–2 ns		2
10	DACKA asserted to ADATA read driven	2 ns		
11	ADATA read setup to ARD deasserted	10 ns		
12	ADATA read hold from ARD deasserted	5 ns		

Notes:

1) The unit clock refers to the clock input. For this interface the maximum clock frequency is 80 MHz.

Figure 17: Port B Read Timing, FAS368 Master Mode

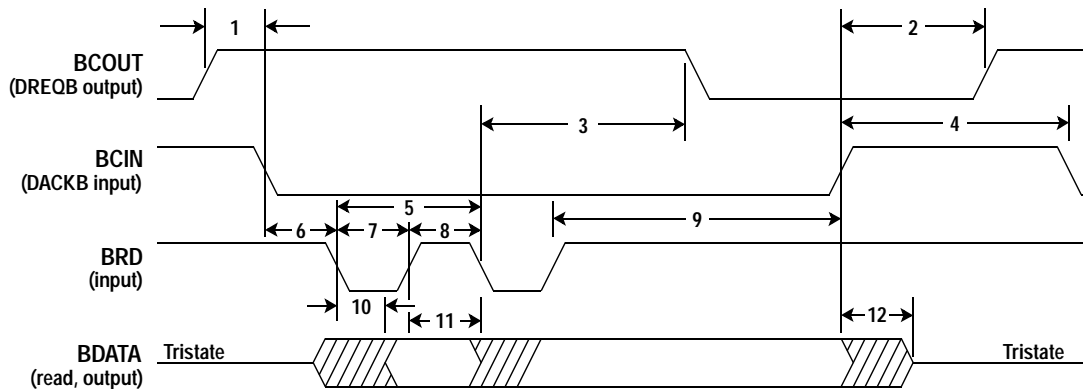


Table 14: Port B Read Timing, FAS368 Master Mode

NUMBER	PARAMETER	MIN	MAX	NOTES
1	DREQB asserted to DACKB asserted	0		
2	DACKB deasserted to DREQB asserted	2 ns		
3	BRD asserted to DREQB deasserted		12 ns	1
4	DACKB deasserted to DACKB asserted	40 ns		
5	BRD asserted to BRD asserted	40 ns		
6	DACKB asserted to BWR asserted	40 ns		
7	BRD asserted pulsewidth	15 ns		
8	BRD deasserted pulsewidth	15 ns		
9	BRD deasserted to DACKB deasserted	15 ns		2
10	BRD asserted to BDATA write valid		10 ns	
11	BDATA read hold from BRD deasserted	5 ns		
12	DACKB deasserted to BDATA read tristate		15 ns	

Notes:

- 1) After DREQx becomes inactive, additional BRD strobes are ignored and no more transfers occur into or out of the port regardless of DACKx operation.
- 2) Timing 9 plus Timing 7 must be greater than Timing 5.

Figure 18: Port B Write Timing, FAS368 Master Mode

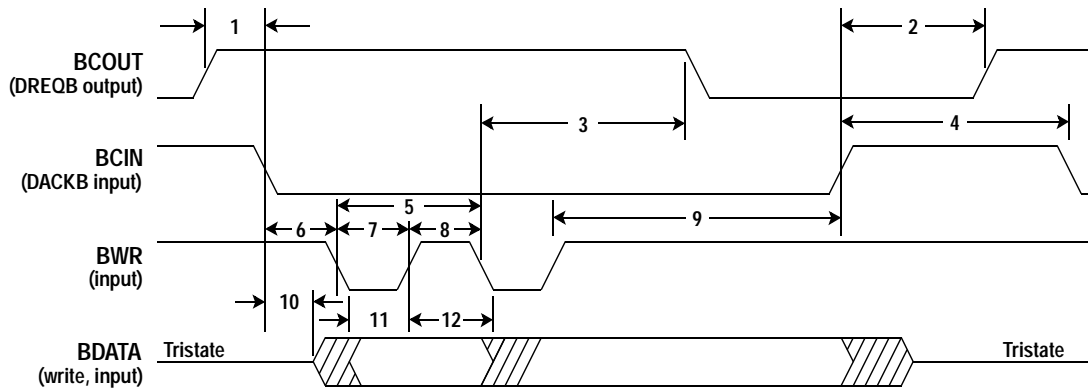


Table 15: Port B Write Timing, FAS368 Master Mode

NUMBER	PARAMETER	MIN	MAX	NOTES
1	DREQB asserted to DACKB asserted	0		
2	DACKB deasserted to DREQB asserted	20 ns		
3	BWR asserted to DREQB deasserted		12 ns	1
4	DACKB deasserted to DACKB asserted	40 ns		
5	BWR asserted to BWR asserted	40 ns		
6	DACKB asserted to BWR asserted	40 ns		
7	BWR asserted pulsewidth	15 ns		
8	BWR deasserted pulsewidth	15 ns		
9	BWR deasserted to DACKB deasserted	15 ns		2
10	DACKB asserted to BDATA write driven	2 ns		
11	BDATA write setup to BWR deasserted	10 ns		
12	BDATA write hold from BWR deasserted	2 ns		

Notes:

- 1) After DREQx becomes inactive, additional BWR strobes are ignored and no more transfers occur into or out of the port regardless of DACKx operation.
- 2) Timing 9 plus Timing 7 must be greater than Timing 5.

Figure 19: Port A Write Timing, 43C97 Slave Mode

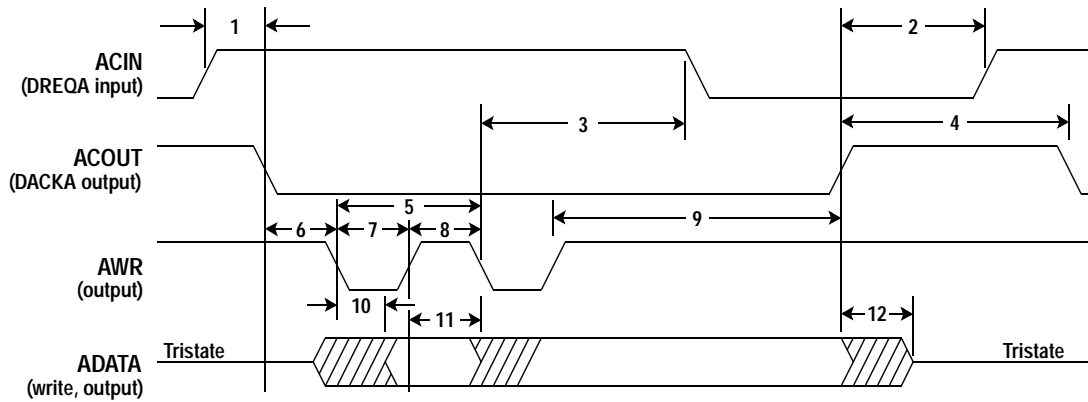


Table 16: Port A Write Timing, 43C97 Slave Mode

NUMBER	PARAMETER	MIN	MAX	NOTES
1	DREQA asserted to DACKA asserted	2 clocks		2
2	DACKA deasserted to DREQA asserted	2 clocks-5 ns		
3	ARD or AWR asserted to DREQA deasserted		2 clocks+5 ns	1
4	DACKA deasserted to DACKA asserted	2 clocks-5 ns		2
5	ARD or AWR asserted to ARD or AWR asserted	4 clocks-4 ns		2
6	DACKA asserted to ARD or AWR asserted	1 clock-5 ns		2
7	ARD or AWR asserted pulsewidth	2 clocks-2 ns		2
8	ARD or AWR deasserted pulsewidth	2 clocks-2 ns		2
9	ARD or AWR deasserted to DACKA deasserted	1 clock-5 ns		2
10	AWR asserted to ADATA write valid		10 ns	
11	AWR deasserted to ADATA write invalid	5 ns		
12	DACKA deasserted to ADATA write tristate		10 ns	

Notes:

- 1) In 43C97 ATA mode, one more transfer can occur after DREQx is deasserted. In other words, one more transfer controlled by DACKx is allowed after DREQx deasserts.
- 2) The unit clock refers to the clock input. For this interface the maximum clock frequency is 80 MHz.

Figure 20: Port A Read Timing, 43C97 Slave Mode

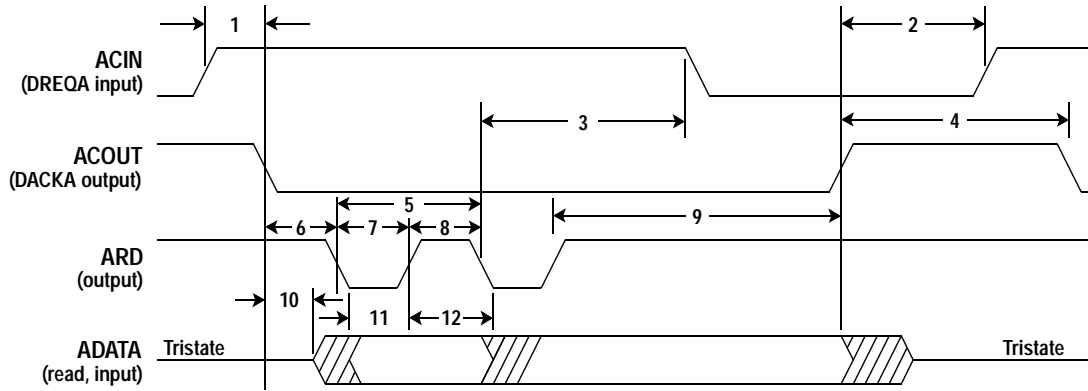


Table 17: Port A Read Timing, 43C97 Slave Mode

NUMBER	PARAMETER	MIN	MAX	NOTES
1	DREQA asserted to DACKA asserted	2 clocks		2
2	DACKA deasserted to DREQA asserted	2 clocks-5 ns		2
3	ARD asserted to DREQA deasserted		2 clocks+5ns	1, 2
4	DACKA deasserted to DACKA asserted	2 clocks-5 ns		2
5	ARD asserted to ARD asserted	4 clocks-4 ns		2
6	DACKA asserted to ARD asserted	1 clock-5 ns		2
7	ARD asserted pulsewidth	2 clocks-2 ns		2
8	ARD deasserted pulsewidth	2 clocks-2 ns		2
9	ARD deasserted to DACKA deasserted	1 clock-5 ns		2
10	DACKA asserted to ADATA read driven	0 ns		
11	ADATA read setup to ARD deasserted	10 ns		
12	ADATA read hold from ARD deasserted	5 ns		

Notes:

- 1) In 43C97 ATA mode, one more transfer can occur after DREQx is deasserted. In other words, one more transfer controlled by DACKx is allowed after DREQx deasserts.
- 2) The unit clock refers to the clock input. For this interface the maximum clock frequency is 80 MHz.

Figure 21: Port B Read Timing, 43C97 Master Mode

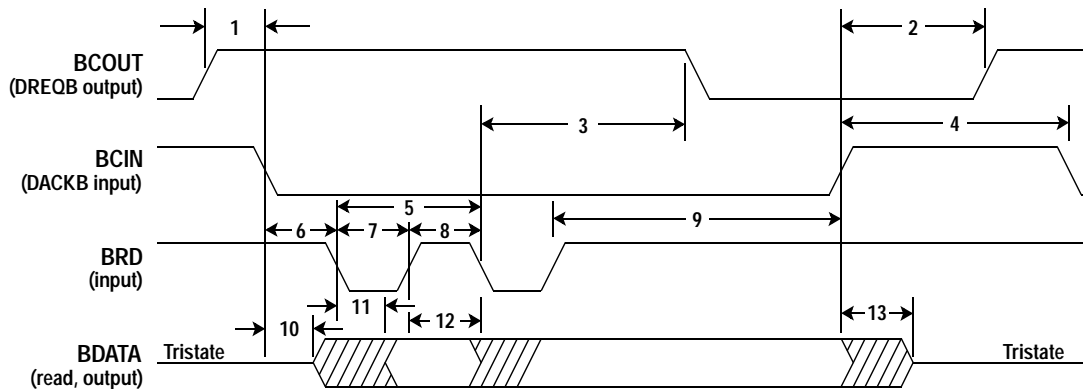


Table 18: Port B Read Timing, 43C97 Master Mode

NUMBER	PARAMETER	MIN	MAX	NOTES
1	DREQB asserted to DACKB asserted	0		
2	DACKB deasserted to DREQB asserted	2 clocks-5 ns		2
3	BRD asserted to DREQB deasserted		12 ns	1
4	DACKB deasserted to DACKB asserted	2 clocks-5 ns		2
5	BRD asserted to BRD asserted	4 clocks		2
6	DACKB asserted to BRD asserted	5 ns		
7	BRD asserted pulsewidth	2 clocks-5 ns		2
8	BRD deasserted pulsewidth	2 clocks-5 ns		2
9	BRD deasserted to DACKB deasserted	5 ns		
10	DACKB asserted to BDATA read driven	0		
11	BRD asserted to BDATA read valid		10 ns	
12	BDATA read hold from BRD deasserted	5 ns		
13	DACKB deasserted to BDATA read tristate		10 ns	

Notes:

- 1) After DREQ<sub>x</sub> becomes inactive, additional BRD strobes are ignored and no more transfers occur into or out of the port regardless of DACK<sub>x</sub> operation.
- 2) The unit clock refers to the clock input. For this interface the maximum clock frequency is 80 MHz.



Figure 22: Port B Write Timing, 43C97 Master Mode

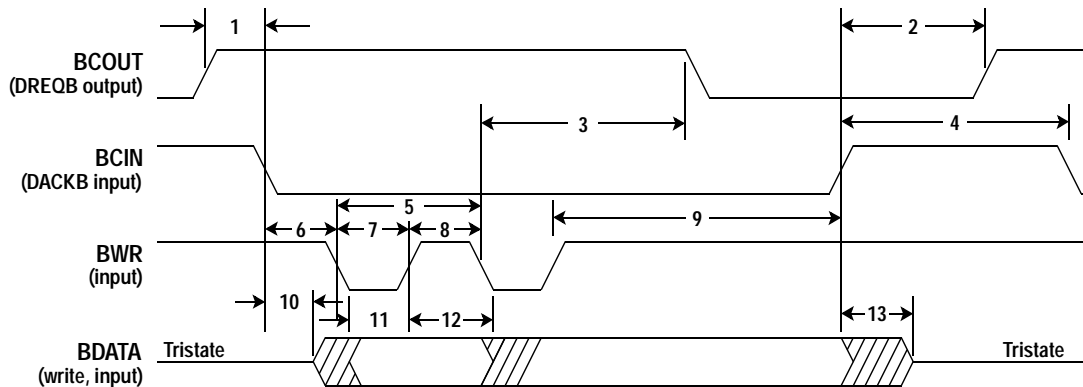


Table 19: Port B Write Timing, 43C97 Master Mode

NUMBER	PARAMETER	MIN	MAX	NOTES
1	DREQB asserted to DACKB asserted	0		
2	DACKB deasserted to DREQB asserted	2 clocks–5 ns		2
3	BWR asserted to DREQB deasserted		12 ns	1
4	DACKB deasserted to DACKB asserted	2 clocks–5 ns		2
5	BWR asserted to BWR asserted	4 clocks		2
6	DACKB asserted to BWR asserted	5 ns		
7	BWR asserted pulsewidth	2 clocks–5 ns		2
8	BWR deasserted pulsewidth	2 clocks–5 ns		2
9	BWR deasserted to DACKB deasserted	5 ns		
10	DACKB asserted to BDATA[15:0] write driven	0		
11	BDATA[15:0] write setup to BWR deasserted	10 ns		
12	BDATA[15:0] write hold from BWR deasserted	2 ns		
13	DACKB asserted to BDATA[15:0] write tristate	0	30 ns	

Notes:

- 1) After DREQx becomes inactive, additional BWR strobes are ignored and no more transfers occur into or out of the port regardless of DACKx operation.
- 2) The unit clock refers to the clock input. For this interface the maximum clock frequency is 80 MHz.

# 11.0 PACKAGING

Figure 23: AHA3540 TQFP Package Specifications

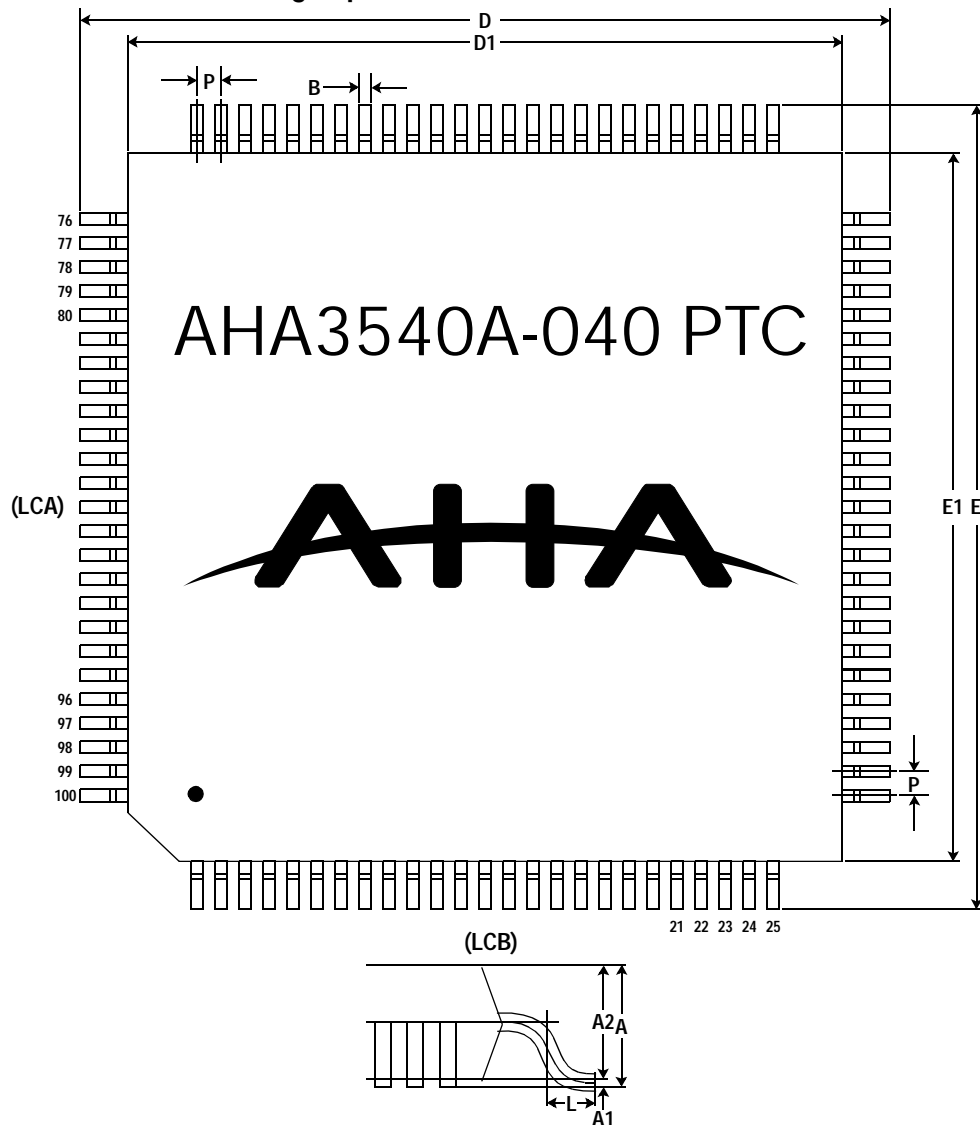


Table 20: TQFP (Thin Quad Flat Pack) 14 × 14 mm Package Dimensions

(All dimensions are in mm)

SYMBOL	NUMBER OF PIN AND SPECIFICATION DIMENSION		
	100		
	SB		
	MIN	NOM	MAX
(LCA)	25		
(LCB)	25		
A			1.7
A1	0.05		0.15
A2	1.35	1.4	1.45
D	15.80	16.0	16.20
D1	13.90	14.0	14.10
E	15.80	16.0	16.20
E1	13.90	14.0	14.10
L	0.50	0.60	0.75
P		0.50	
B	0.17	0.22	0.27

JEDEC Outline MO-136

## 12.0 ORDERING INFORMATION

---

### 12.1 AVAILABLE PARTS

---

<i>PART NUMBER</i>	<i>DESCRIPTION</i>
AHA3540A-040 PTC	40 MBytes/sec ALDC Data Compression Coprocessor IC with Enhanced Features, TQFP

### 12.2 PART NUMBERING

---

<i>AHA</i>	<i>3540</i>	<i>A-</i>	<i>040</i>	<i>P</i>	<i>T</i>	<i>C</i>
Manufacturer	Device Number	Revision Level	Speed Designation	Package Material	Package Type	Test Specification

**Device Number:**

3540

**Revision Letter:**

A

**Package Material Codes:**

P Plastic

**Package Type Codes:**

T T - Thin

**Test Specifications:**

C Commercial 0°C to +70°C

## 13.0 AHA RELATED TECHNICAL PUBLICATIONS

---

<i>DOCUMENT #</i>	<i>DESCRIPTION</i>
PB3540	AHA Product Brief – AHA3540 40 MBytes/sec ALDC Data Compression Coprocessor IC
ABDC17	AHA Application Brief – Differences between AHA3540 and IBM ALDC1-20S-LP Devices
ANDC18	AHA Application Note – Differences between AHA and IBM Devices
ANDC24 *	AHA Application Note – AHA3540 Designer's Guide

\* *Document in development*

## APPENDIX A: DIFFERENCES BETWEEN THE AHA3540 AND IBM ALDC1-20S-LP

---

### A.1 STATUS AND INTERRUPT STATUS REGISTER DIFFERENCES

---

If the Interrupt Mask bits BPBM (One Byte at Port B Mask), EORPBM (End of Record at Port B Mask), BPAM (One Byte at Port A Mask), EORPAM (End of Record at Port A Mask) are set, then the status bits BPB (One Byte at Port B), EORPB (End of Record at Port B), BPA (One Byte at Port A), EORPA (End of Record at Port A), and the Interrupt Status bits of the same name are only generated at the end of a transfer and not at End of Records. If the Interrupts are not masked then these Status bits and Interrupt Status bits will get set at End of Records and the device will generate an Interrupt and Pause.

There are two new status bits, EMPA (Empty at Port A) and EMPB (Empty at Port B). These bits are asserted when there is no data between the pins of the device and the ALDC core.

### A.2 INPUT/OUTPUT DIFFERENCES

---

There are two new inputs BRD (Pin 32) and BWR (Pin 33) required for the FAS368 Master mode on Port B. In a system that does not use these inputs, they must be tied high or low. They can not be left unconnected. The IBM device requires that these pins be left unconnected. One possible solution for a board that uses both devices is to tie the pins to ground through an appropriate sized resistor.