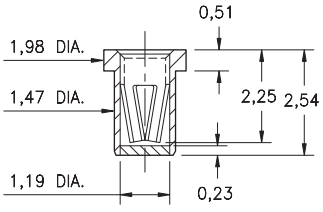
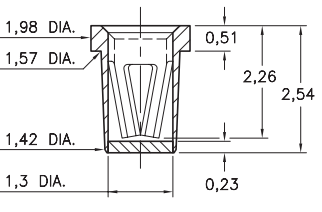
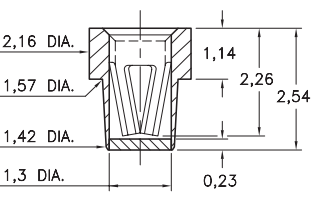
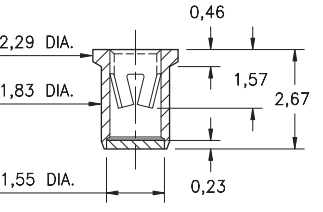
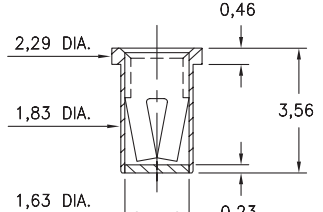
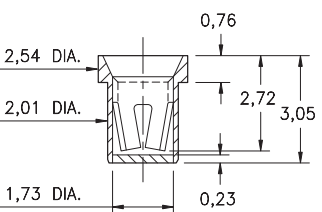
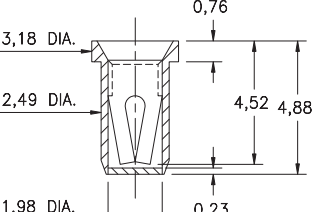
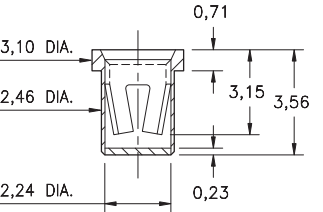
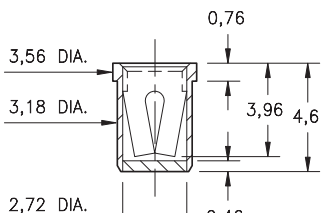
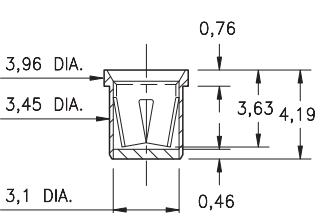
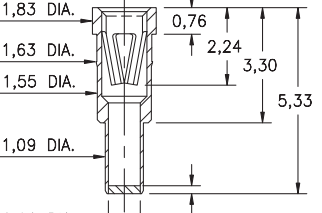


# PIN RECEPTACLES

## PIN RECEPTACLES WITH ORGANIC FIBRE PLUG® SOLDER BARRIER (SEE SPECIFIC CONTACT RANGE ON PAGES 254 - 262)

<p><b>0337</b> <b>0337-0-XX-XX-15-XX-10-0</b> Solder mount in <math>\varnothing 1,68 \pm 0,08</math> PTH #15 Contact for <math>\varnothing 0,51 - 0,81</math> pins Also available on 8mm wide carrier tape: 6,000 parts per 330mm reel</p> 	<p><b>4280</b> <b>4280-0-XX-XX-16-XX-10-0</b> Solder mount in <math>\varnothing 1,7 \pm 0,08</math> PTH #16 Contact for <math>\varnothing 0,56 - 0,86</math> pins Also available on 8mm wide carrier tape: 6,000 parts per 330mm reel</p> 	<p><b>5280</b> <b>5280-0-XX-XX-16-XX-40-0</b> Solder mount in <math>\varnothing 1,7 \pm 0,08</math> PTH #16 Contact for <math>\varnothing 0,56 - 0,86</math> pins Also available on 16mm wide carrier tape: 2,200 parts per 330mm reel</p> 	<p><b>0332</b> <b>0332-0-XX-XX-18-XX-10-0</b> Solder mount in <math>\varnothing 2,01 \pm 0,08</math> PTH #18 Contact for <math>\varnothing 0,94 - 1,09</math> pins Also available on 16mm wide carrier tape: 2,200 parts per 330mm reel</p> 
<p><b>0479</b> <b>0479-0-XX-XX-34-XX-10-0</b> Solder mount in <math>\varnothing 1,96 \pm 0,08</math> PTH #34 Contact for <math>\varnothing 0,81 - 1,17</math> pins Also available on 16mm wide carrier tape: 2,200 parts per 330mm reel</p> 	<p><b>0375</b> <b>0375-0-XX-XX-02-XX-10-0</b> Solder mount in <math>\varnothing 2,21 \pm 0,08</math> PTH #02 Contact for <math>\varnothing 1,02 - 1,27</math> pins Also available on 12mm wide carrier tape: 4,500 parts per 330mm reel</p> 	<p><b>0353</b> <b>0353-0-XX-XX-03-XX-10-0</b> Solder mount in <math>\varnothing 2,69 \pm 0,08</math> PTH #03 Contact for <math>\varnothing 1,02 - 1,52</math> pins Also available on 12mm wide carrier tape: 1,300 parts per 330mm reel</p> 	<p><b>0384</b> <b>0384-0-XX-XX-23-XX-10-0</b> Solder mount in <math>\varnothing 2,67 \pm 0,08</math> PTH #23 Contact for <math>\varnothing 1,14 - 1,65</math> pins Also available on 12mm wide carrier tape: 2,000 parts per 330mm reel</p> 
<p><b>0376</b> <b>0376-0-XX-XX-07-XX-10-0</b> Solder mount in <math>\varnothing 3,38 \pm 0,08</math> PTH #07 Contact for <math>\varnothing 1,65 - 2,08</math> pins Also available on 16mm wide carrier tape: 1,500 parts per 330mm reel</p> 	<p><b>0321</b> <b>0321-0-XX-XX-08-XX-10-0</b> Solder mount in <math>\varnothing 3,66 \pm 0,08</math> PTH #08 Contact for <math>\varnothing 2,13 - 2,59</math> pins Also available on 16mm wide carrier tape: 1,700 parts per 330mm reel</p> 	<p><b>3435</b> <b>3435-0-XX-XX-47-XX-04-0</b> Solder mount in <math>\varnothing 1,17 \pm 0,08</math> PTH #47 Contact for <math>\varnothing 0,64 - 0,91</math> and 0,64 square pins</p> 	

### SPECIFICATIONS:

**Shell Material:** Brass Alloy 360, 1/2 Hard  
**Contact Material:** Beryllium Copper Alloy 172, HT  
**Solder Barrier:** Organic Fibre Plug®  
**Dimensions:** Millimeters  
**Tolerances On:** Lengths:  $\pm 0,13$   
 Diameters:  $\pm 0,051$   
 Angles:  $\pm 2^\circ$



**ORDER CODE:** XXXX - 0 - XX - XX - XX - XX - XX - 0

### BASIC PART #

**SPECIFY PACKAGING:**

- 43 Discrete Receptacles
- 67 Supplied on 330mm Reels

**SPECIFY SHELL FINISH:**

- 01 5,08µm TIN/LEAD OVER NICKEL
- ◆ 80 5,08µm TIN OVER NICKEL (RoHS)

**SPECIFY CONTACT FINISH:**

- ◆ 27 0,76µm GOLD OVER NICKEL (RoHS)
- 02 2,54µm TIN/LEAD OVER NICKEL
- ◆ 80 5,08µm TIN OVER NICKEL (RoHS)

**CONTACT:**

#02, #07, #08, #15, #16, #18, #23, #34 or #47 CONTACT (DATA ON PAGES 254 - 262)

