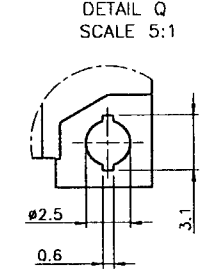
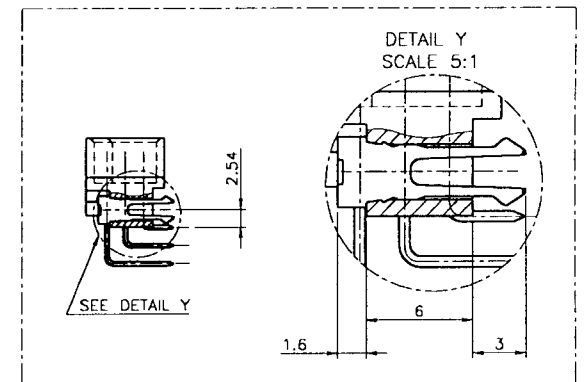
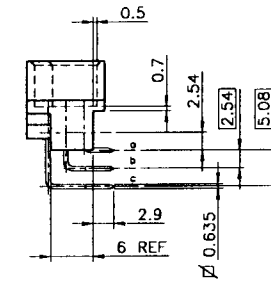
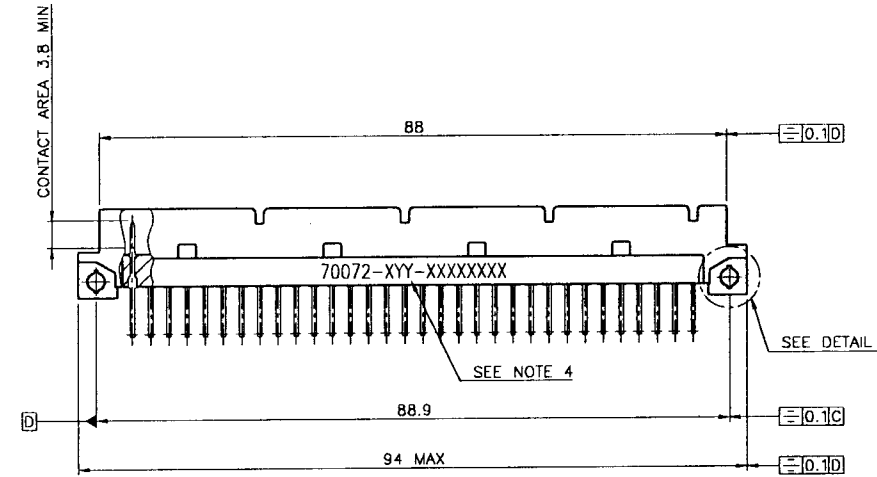
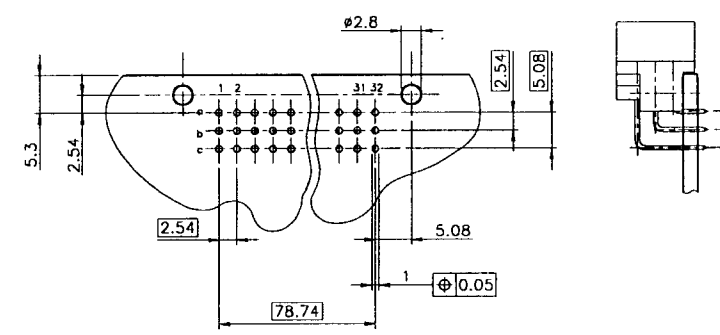
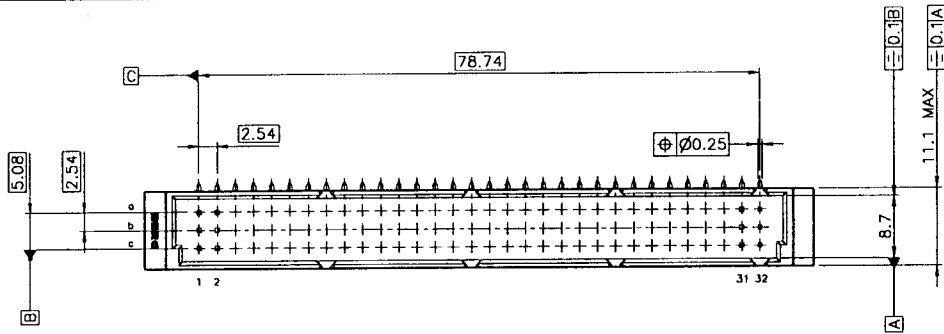


FOR PRODUCT NUMBER SEE SHEET 2/2

P.C. MOUNTING HOLE PATTERN



NOTES:

- 1 MATERIAL PIN : PHOSPHOR BRONZE
- 2 MATERIAL BODY: THERMOPLASTIC POLYESTER  
30% FIBER GLASS FILLED
- COLOUR: GREY, FLAME RETARDANT PER UL-94-V0
- 3 PLATING FOR CONTACT AREA: SEE TABLE
- 4 PRINTING CONSISTS OF 70072-XYX-OZ-XXXXXXX  
 PRODUCT NUMBER \_\_\_\_\_  
 PLATING CODE X \_\_\_\_\_  
 LOADING CODE YY \_\_\_\_\_  
 CLIP CODE (optional) \_\_\_\_\_  
 BATCH CODE \_\_\_\_\_
- 5 AS AN OPTION THE 70072 CONNECTOR IS AVAILABLE WITH  
 A BOARD FIXING CLIP. THE P/N IS THEN 70072-XYX-OZ.  
 SEE SHEET 2/2.

OPTIONAL, SEE NOTE 5

mat'l. code		tolerances unless otherwise specified		CUSTOMER COPY		BERG ELECTRONICS	
tr	rev. no.	dr	date	linear	projection	file	
E	H30433	RBE	93.10.12			R.A. DIN MALE	
F	F50830	DWA	95.09.04			3x32 POS. CONNECTOR	
G	F90181	LMU	99.03.16	angles		product family	BACK PANEL
		dr	D. MATHEVON	95.09.04	mm	code	213
		eng	M. MEUNIER	95.09.04	scale	size	dwg no
		chr	D. MATHEVON	95.09.04	2:1	sheet	1 of 2
		app	M. ME	95.09.04			
sheet	revision	G	E				
index	sheet	1	2				

PRODUCT NUMBER 70072-XY-0Z

PLATING CODE X		
PRODUCT NO	CONTACT AREA	SOLDER TAIL
70072-1YY	0.40µm Au min over Ni	TIN / LEAD
70072-2YY	0.80µm Au min over Ni	TIN / LEAD
70072-3YY	2.00µm Au min over Ni	TIN / LEAD
70072-4YY	1.25µm Au min over Ni	TIN / LEAD

CLIP CODE "0Z" (Optional)	
PRODUCT NUMBER	PCB THICKNESS
70072-XY-01	1.6

LOADING CODE "Y"																																	
PRODUCT NO	ROW	PIN "X" PLACED IN POSITION																															
		1	2	3	4	5	6	7	8	9	10	11	12	13	14	15	16	17	18	19	20	21	22	23	24	25	26	27	28	29	30	31	32
70072-X01	a		X	X	X	X	X	X	X	X	X	X	X	X	X	X	X	X	X	X	X	X	X	X	X	X	X	X	X	X	X	X	X
	b																																
	c		X	X	X	X	X	X	X	X	X	X	X	X	X	X	X	X	X	X	X	X	X	X	X	X	X	X	X	X	X	X	X
70072-X02	a	X	X	X	X	X	X	X	X	X	X	X	X	X	X	X	X	X	X	X	X	X	X	X	X	X	X	X	X	X	X	X	
	b	X	X	X	X	X	X	X	X	X	X	X	X	X	X	X	X	X	X	X	X	X	X	X	X	X	X	X	X	X	X	X	
	c	X	X	X	X	X	X	X	X	X	X	X	X	X	X	X	X	X	X	X	X	X	X	X	X	X	X	X	X	X	X	X	X
70072-X03	a	X	X	X	X	X	X	X	X	X	X	X	X	X	X	X	X	X	X	X	X	X	X	X	X	X	X	X	X	X	X	X	
	b	X	X	X	X	X	X	X	X	X	X	X	X	X	X	X	X	X	X	X	X	X	X	X	X	X	X	X	X	X	X	X	
	c	X	X	X	X	X	X	X	X	X	X	X	X	X	X	X	X	X	X	X	X	X	X	X	X	X	X	X	X	X	X	X	X
70072-X04	a	X	X	X	X	X	X	X	X	X	X	X	X	X	X	X	X	X	X	X	X	X	X	X	X	X	X	X	X	X	X	X	
	b	X	X	X	X	X	X	X	X	X	X	X	X	X	X	X	X	X	X	X	X	X	X	X	X	X	X	X	X	X	X	X	
	c	X	X	X	X	X	X	X	X	X	X	X	X	X	X	X	X	X	X	X	X	X	X	X	X	X	X	X	X	X	X	X	X
70072-X05	a	X	X	X	X	X	X	X	X	X	X	X	X	X	X	X	X	X	X	X	X	X	X	X	X	X	X	X	X	X	X	X	
	b	X	X	X	X	X	X	X	X	X	X	X	X	X	X	X	X	X	X	X	X	X	X	X	X	X	X	X	X	X	X	X	
	c	X	X	X	X	X	X	X	X	X	X	X	X	X	X	X	X	X	X	X	X	X	X	X	X	X	X	X	X	X	X	X	X
70072-X06	a	X	X	X	X	X	X	X	X	X	X	X	X	X	X	X	X	X	X	X	X	X	X	X	X	X	X	X	X	X	X	X	
	b	X	X	X	X	X	X	X	X	X	X	X	X	X	X	X	X	X	X	X	X	X	X	X	X	X	X	X	X	X	X	X	
	c	X	X	X	X	X	X	X	X	X	X	X	X	X	X	X	X	X	X	X	X	X	X	X	X	X	X	X	X	X	X	X	X
70072-X07	a	X	X	X	X	X	X	X	X	X	X	X	X	X	X	X	X	X	X	X	X	X	X	X	X	X	X	X	X	X	X	X	
	b	X	X	X	X	X	X	X	X	X	X	X	X	X	X	X	X	X	X	X	X	X	X	X	X	X	X	X	X	X	X	X	
	c	X	X	X	X	X	X	X	X	X	X	X	X	X	X	X	X	X	X	X	X	X	X	X	X	X	X	X	X	X	X	X	X
70072-X08	a	X	X	X	X	X	X	X	X	X	X	X	X	X	X	X	X	X	X	X	X	X	X	X	X	X	X	X	X	X	X	X	
	b	X	X	X	X	X	X	X	X	X	X	X	X	X	X	X	X	X	X	X	X	X	X	X	X	X	X	X	X	X	X	X	
	c	X	X	X	X	X	X	X	X	X	X	X	X	X	X	X	X	X	X	X	X	X	X	X	X	X	X	X	X	X	X	X	X
70072-X09	a	X	X	X	X	X	X	X	X	X	X	X	X	X	X	X	X	X	X	X	X	X	X	X	X	X	X	X	X	X	X	X	
	b	X	X	X	X	X	X	X	X	X	X	X	X	X	X	X	X	X	X	X	X	X	X	X	X	X	X	X	X	X	X	X	
	c	X	X	X	X	X	X	X	X	X	X	X	X	X	X	X	X	X	X	X	X	X	X	X	X	X	X	X	X	X	X	X	X
70072-X00	a	X	X	X	X	X	X	X	X	X	X	X	X	X	X	X	X	X	X	X	X	X	X	X	X	X	X	X	X	X	X	X	
	b	X	X	X	X	X	X	X	X	X	X	X	X	X	X	X	X	X	X	X	X	X	X	X	X	X	X	X	X	X	X	X	
	c	X	X	X	X	X	X	X	X	X	X	X	X	X	X	X	X	X	X	X	X	X	X	X	X	X	X	X	X	X	X	X	X

part code see notes		tolerances unless otherwise specified		CUSTOMER COPY		<b>BERG</b> ELECTRONICS	
itr	ecn no	gr	date	linear	projection	title	R.A. DIN Male
A	H89344	MLO	890712			3x32 pos connector	
B	H20199	MW	920410				
C	H30356	RBE	930616	angles			
D	H30589	MW	930812	gr	M. Vrieschers	920410	product family Back Panel code
E	H30433	RBE	931012	envy	R. Benker	920410	size dwg no
				chr	M. Loman	920410	scale
				3000	H. Cozijmans	920410	1:1
sheet	index	revision	sheet			A2	70072
							213
							2 of -