

SPECIFICATIONS

Mechanical

Contact Retention Force: 0.91Kgf min.

Electrical

Current Rating: 2.0A max. per contact

Current Voltage: 500V AC

Insulation Resistance: 1000MΩ min.

Physical

Housing: Thermoplastic, nylon, UL 94V-0 rating

Housing Color: See "ORDERING INFORMATION"

Contact: Copper alloy

Plating: See "ORDERING INFORMATION"

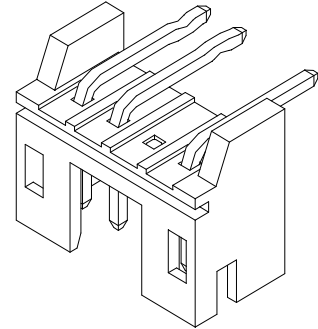
Operating Temperature: -40°C to +105°C

Friction Header

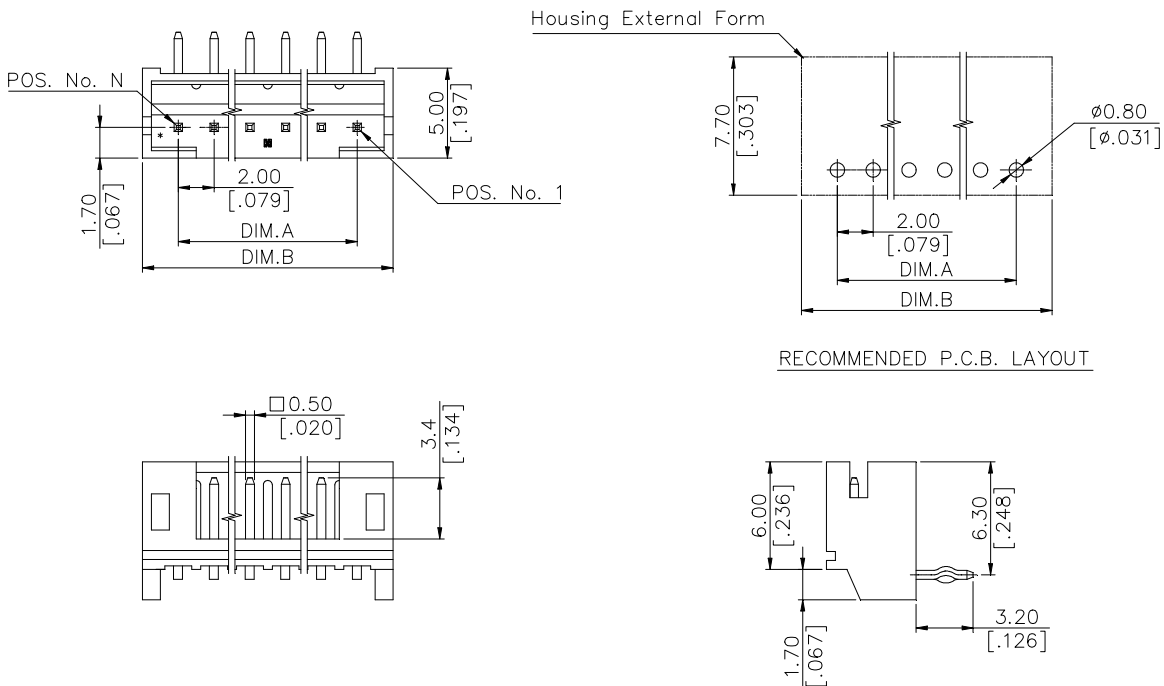
HF56 Series

Friction R/A Type

2.00mm [.079"] Pitch



DRAWING



ORDERING INFORMATION

PRODUCT No. : H F 5 6 * * * - * * * *

Header _____

Friction Header _____

Termination&Contact Type _____

No. Of Single Row Pos. _____

02= 2 Pos.

03= 3 Pos.

16= 16 Pos.

Contact Area Plating _____

E=100u" Tin Plating With RoHS Compliance

Housing Material

None: PA4.6

N: PA6.6

T: PA6.T

Modification Code

None: Standard Product

P8: Pos. No. 7 Is Removed

D5: Pos. No. 3 Is Removed

Optional For Housing Color

None=Housing Color Ivory

B=Housing Color Black

HF5609*-*-*	9	16.00 [.630]	20.00 [.788]				
HF5608*-*-*	8	14.00 [.552]	18.00 [.709]	HF5616*-*-*	16	30.00 [1.182]	34.00 [1.339]
HF5607*-*-*	7	12.00 [.473]	16.00 [.630]	HF5615*-*-*	15	28.00 [1.103]	32.00 [1.261]
HF5606*-*-*	6	10.00 [.394]	14.00 [.552]	HF5614*-*-*	14	26.00 [1.024]	30.00 [1.182]
HF5605*-*-*	5	8.00 [.315]	12.00 [.473]	HF5613*-*-*	13	24.00 [.945]	28.00 [1.103]
HF5604*-*-*	4	6.00 [.236]	10.00 [.394]	HF5612*-*-*	12	22.00 [.867]	26.00 [1.024]
HF5603*-*-*	3	4.00 [.158]	8.00 [.315]	HF5611*-*-*	11	20.00 [.788]	24.00 [.945]
HF5602*-*-*	2	2.00 [.079]	6.00 [.236]	HF5610*-*-*	10	18.00 [.709]	22.00 [.867]
PRODUCT No.	POS.	DIM. A	DIM. B	PRODUCT No.	POS.	DIM. A	DIM. B