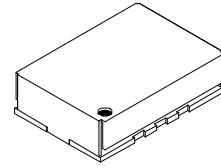




# VC2, VC3 VCXO Series



- 6 Pad Leadless Surface Mount Voltage Controlled Xtal Oscillator
- CMOS/ TTL Compatible (VC2 without E/D, VC3 with E/D)

1.500 MHz – 200.00 MHz

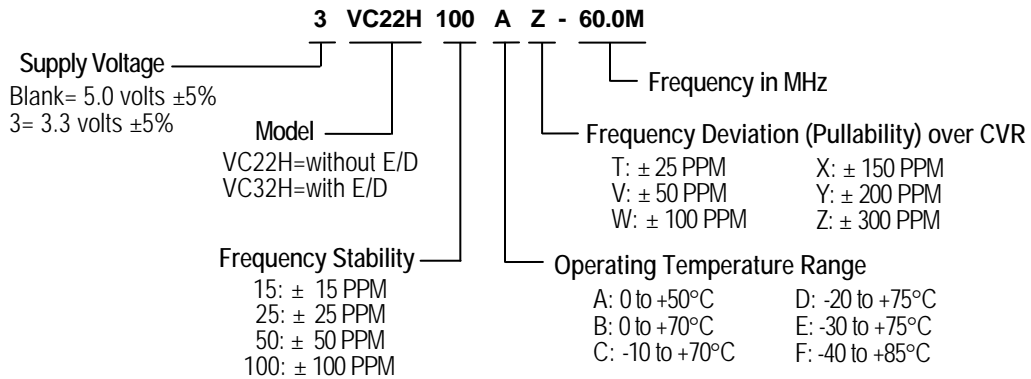
## Standard Specifications

Overall Frequency Stability	± 15, 25, 50, 100 PPM over Operating Temperature Range
Operating Temperature Range	0 to +70°C is standard, but can be extended to -40 to +85°C for certain frequencies
Supply Voltage (Vcc)	5.0 volts and 3.3 volts available
Output Load	Std load is 15pF max., see Test Circuit 7 for VC2, TC 8 for VC3 (consult factory for heavier loads)
Control Voltage Range (CVR)	0.5 to 4.5 volts for 5.0 volt Supply; 0.3 to 3.0 volts for 3.3 volt Supply
Pullability over CVR	± 25, 50, 100, 150, 200 PPM. Consult factory for ± 300 PPM.
Linearity	± 10% (Consult factory for ± 5%)
VC3 Enable/Disable Option (E/D)	Output enabled when Pin #2 is open or at Logic "1"; Output disabled when Pin #2 is at Logic "0".

Frequency Range (MHz)	Supply Current Icc (mA)		Rise and Fall Time Tr & Tf (nS)	
	Typical	Maximum	Typical	Maximum
1.500 – 20.000	10	15	3.5	5.0
20.001 – 30.000	20	25	3.0	4.5
30.001 – 50.000	25	30	3.0	4.0
50.001 – 60.000	30	35	2.5	3.5
60.001 – 200.00	Consult Factory for values			

## Part Numbering Guide

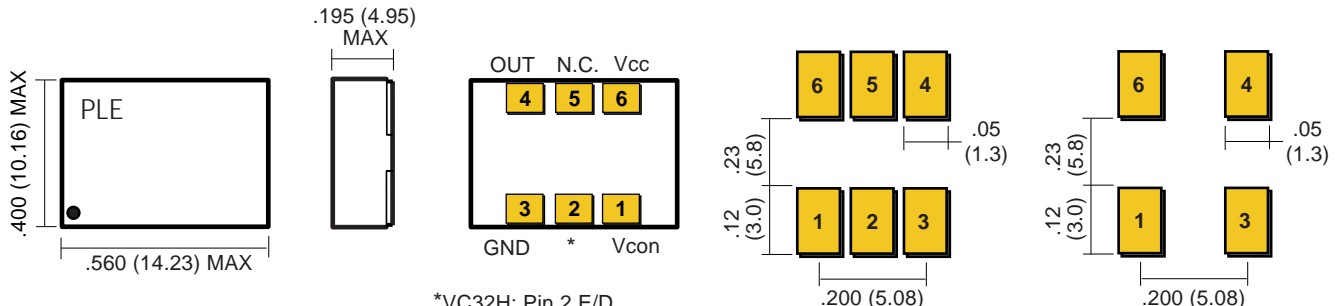
Packaging  
Tube or  
24mm tape  
16mm pitch



Consult factory for available frequencies and specs. Not all options available for all frequencies. A special part number may be assigned. Frequency Stability is inclusive of frequency shifts due to calibration, temperature, supply voltage, shock, vibration and load

## Mechanical: inches (mm) not to scale VC3 Solder Pads VC2 Solder Pads

Due to part size and factory abilities, part marking may vary from lot to lot and may contain our part number or an internal code.



\*VC32H: Pin 2 E/D  
\*VC22H: Pin 2 N.C. (do NOT connect to Pin 2)

Jan 2002