

APPLICATIONS:

- Satellite receiver
- Data receiver

BSFR/Z-Series Double Conversion IF Output Satellite Tuner

**NEW HIGH PERFORMANCE DOUBLE
CONVERSION TUNERS FEATURING
PRESCALER CAPABILITY.**

FEATURES

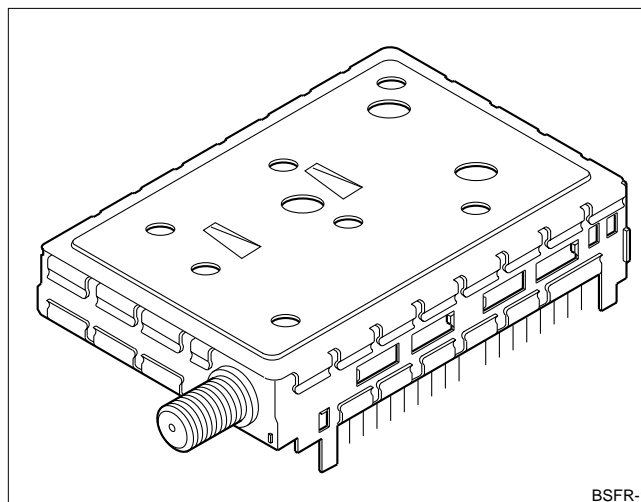
- First LO PLL tuning
- Low noise figure, 9 db typical (model dependent)
- 50 db typical AGC range
- Conversion gain range from 20 db to 70 db, typical
- Low phase noise
- Input and output impedance: 75 Ω
- Maximum input level: -20 dBm

SHARP'S new BSFR and BSFZ-series satellite tuners are designed as a flexible solution for reception of modulated digital data streams. With a total of seven different models to meet varying performance requirements, these tuners can be used as receivers for both digital video and data streams.

Each model provides two local oscillators. The first is phase-locked loop-tuned using a 3-wire serial data bus. The second local oscillator is controlled by an analog voltage. All models provide a prescaler on the second LO output for complete control of the conversion process.

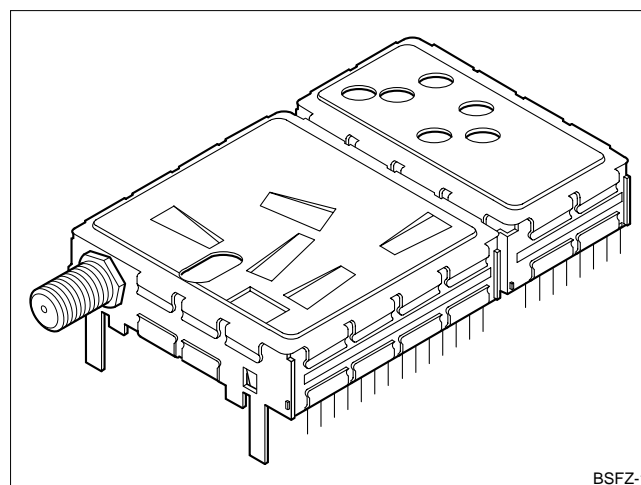
Several power supply configurations are used: 5 V and 20 V; 5 V, 12 V, and 20 V; and 5 V, 12 V, and 28 V.

STANDARD BSFR PACKAGE



BSFR-1

STANDARD BSFZ PACKAGE



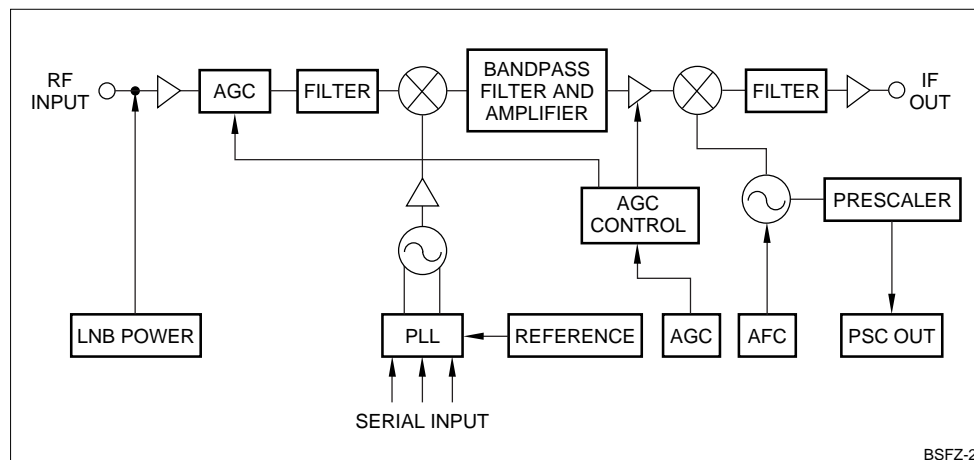
BSFZ-1

MODEL SELECTION GUIDE

MODEL	INPUT FREQUENCY, MHz	BANDPASS FILTER, MHz	IF OUPUT FREQUENCY, MHz	PRESCALER RATIO	POWER SUPPLY, V
BSFR53G03	950 - 1450	7	60	128	5, 20
BSFR53G05	950 - 1450	36	60	128	5, 20
BSFR53G06	950 - 1450	7	60	4	5, 12, 20
BSFR53G07	950 - 1450	16	70	128	5, 20
BSFR53G10	950 - 1450	7	43.75	4	5, 12, 20
BSFR53G15	950 - 1450	7	70	4	5, 12, 20
BSFZ57G05	950 - 2050	16	70	128	5, 12, 28

Windows software for tuning the PLLs in the above listed models in a laboratory or test environment is available upon request.

BASIC BLOCK DIAGRAM



SHARP Microelectronics of the Americas Regional Sales Offices

North American Headquarters
 Camas, WA
 Ph (360) 834-2500
 Fax (360) 834-8903

West
 Irvine, CA
 Ph (714) 250-0225
 Fax (714) 250-0438
 San Jose, CA
 Ph (408) 436-4900
 Fax (408) 436-0924

Central
 Romeoville, IL
 Ph (708) 226-2400
 Fax (708) 759-8572
 Auburn Hills, MI
 Ph (810) 377-9220
 Fax (810) 377-9222

Austin, TX
 Ph (512) 349-7262
 Fax (512) 349-7002
 DFW Airport, TX
 Ph (214) 574-5205
 Fax (214) 456-0360

Houston, TX
 Ph (713) 955-9909
 Fax (713) 955-9910

East
 Burlington, MA
 Ph (617) 270-7979
 Fax (617) 229-9117
 Annadale, NJ
 Ph (908) 713-0505
 Fax (908) 713-0566

Durham, NC
 Ph (919) 941-0065
 Fax (919) 941-0066

Distributors

Future Electronics
 Canada
 Ph (514) 694-7710
 Fax (514) 695-3707

Marshall Industries
 El Monte, CA
 Ph (800) 522-0084
 Fax (818) 307-6173
<http://www.marshall.com>

Bell-Milgray
 Farmindale, NY
 Ph (800) MILGRAY (645-4729)
 Fax (516) 293-6465

Reptron
 Tampa, FL
 Ph (800) 659-1361
 Fax (813) 854-2351

Sterling Electronics Corp.
 Houston, TX
 Ph (800) 745-5500
 Fax (713) 629-3939

FastFax Service: 1-800-833-9437
 Product Information: 1-800-642-0261
 World Wide Website: <http://www.sharpsma.com>