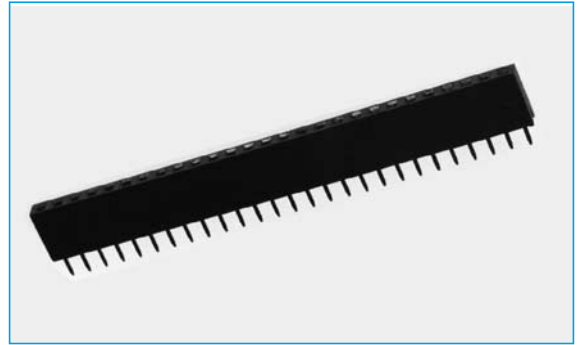


FEMALE HEADERS

FEMALE HEADER STRAIGHT - 8.4mm PROFILE

- Industry compatible
- Competitively priced
- Single or dual row
- No. of contacts 02-80
- Gold plated contacts
- 2.54mm pitch



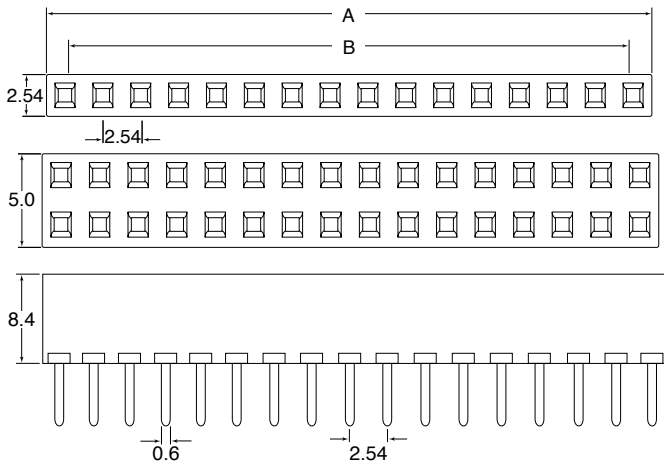
SECTION 8

SPECIFICATION

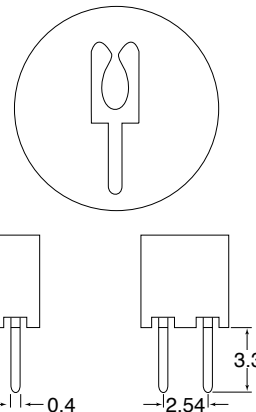
Material & Finish

| | |
|--------------------------------|---------------------------------------|
| Contact Material: | Brass |
| Insulator Material: | PBT & Glass-Fibre Reinforced UL-94V-0 |
| Current Rating: | 1 A DC |
| Contact Resistance: | 30M Ω Max |
| Insulator Resistance: | 3000M Ω Min |
| Dielectric Withstanding | |
| Voltage: | 500V AC for One Minute |
| Operating Temperature: | -40°C to + 105°C |

OUTLINE DRAWING



A = 2.54mm x N° of Contacts
 B = (2.54mm x N° of Contacts) -1



ORDERING INFORMATION

| | | | | | | | |
|---------------------|---------------|-----------|--|--|-----------------------------|----------------------------------|-------------------|
| DBC | IDC | B6 | S | 04 | A | G | 1 |
| Dubilier Connectors | IDC Connector | Series | N° of Rows S = Single Row D = Dual Row | N° of Contacts/per row 02=2way Thro to 43=43way | Contact Material A=Brass | Contact Plating G= Gold Flash | Colour 1=Black |