

**Document Title**

4(2)M x 8(16) Bit x 4 Banks (128-MBIT) SDRAM

**Revision History**

<u>Revision No</u>	<u>History</u>	<u>Draft Date</u>	<u>Remark</u>
0A	Initial Draft	August 27,2001	
0B	Corrected typo on PIN FUNCTIONS and revise DC OPERATING CONDITIONS	May 6,2002	
0C	Append two parameters $t_{DPL}$ , $t_{DAL}$ ; correct $t_{RCD}$ and $t_{RP}$ and modify DC operating condition	August 21,2003	
0D	1.Obsolete speed grade -7H 2.Support Pb-free package 3.Modify typo in page 16,17	September 09,2003	
0E	Add Industrial range Change $I_{CC5}$ from 160mA to 180mA	June 11,2004	

---

The attached datasheets are provided by ICSI. Integrated Circuit Solution Inc reserve the right to change the specifications and products. ICSI will answer to your questions about device. If you have any questions, please contact the ICSI offices.

---

## 4(2)M x 8(16) Bits x 4 Banks (128-MBIT) SYNCHRONOUS DYNAMIC RAM

### FEATURES

- Single 3.3V ( $\pm 0.3V$ ) power supply
- High speed clock cycle time -6: 166MHz<3-3-3>, -7H: 133MHz<2-2-2>, -7: 133MHz<3-3-3>, -8: 100MHz<2-2-2>
- Fully synchronous operation referenced to clock rising edge
- Possible to assert random column access in every cycle
- Quad internal banks controlled by BA0 & BA1 (Bank Select)
- Byte control by LDQM and UDQM for IC42S16800
- Programmable Wrap sequence (Sequential / Interleave)
- Programmable burst length (1, 2, 4, 8 and full page)
- Programmable  $\overline{CAS}$  latency (2 and 3)
- Automatic precharge and controlled precharge
- CBR (Auto) refresh and self refresh
- X8, X16 organization
- LVTTL compatible inputs and outputs
- 4,096 refresh cycles / 64ms
- Burst termination by Burst stop and Precharge command
- Package 400mil 54-pin TSOP-2

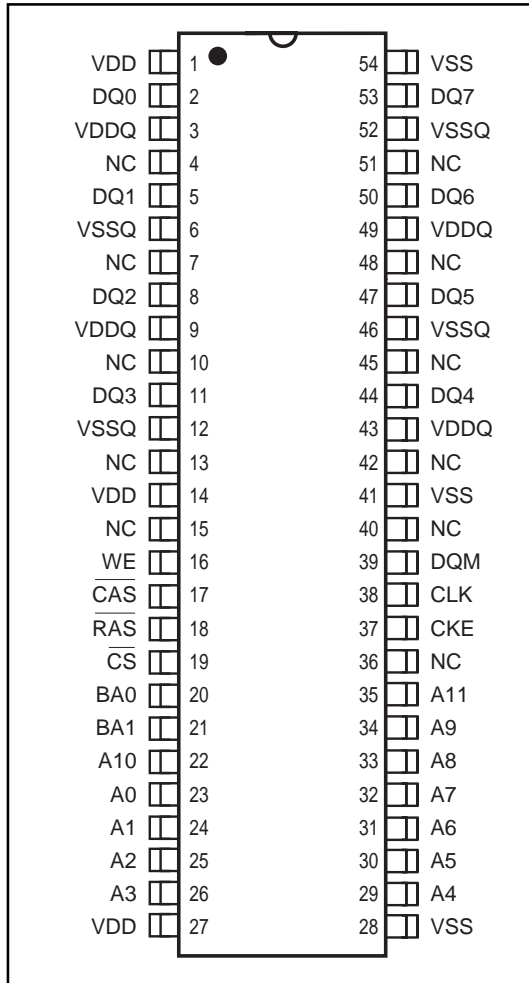
### DESCRIPTION

The IC42S81600 and IC42S16800 are high-speed 134,217,728-bit synchronous dynamic random-access memories, organized as 4,194,304 x 8 x 4 and 2,097,152 x 16 x 4 (word x bit x bank), respectively.

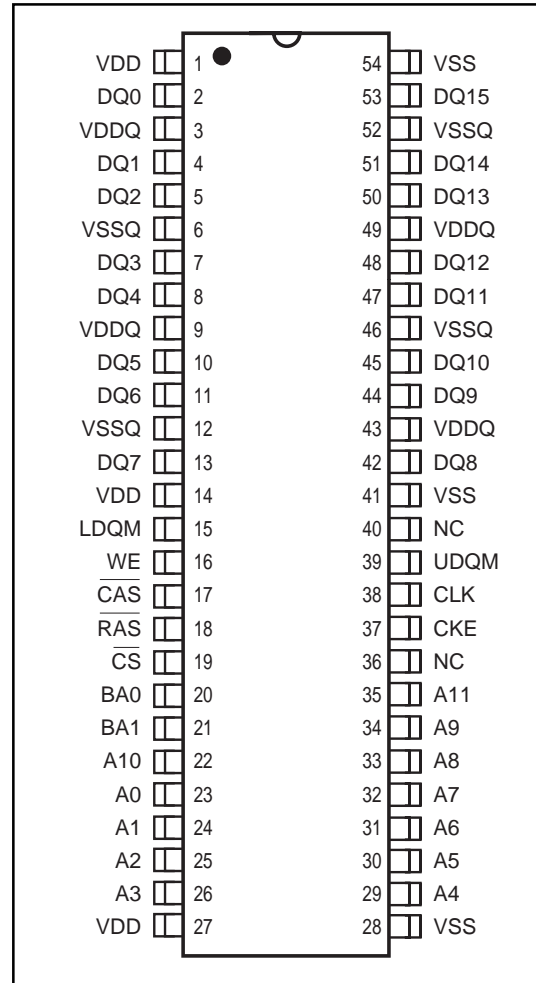
The synchronous DRAMs achieved high-speed data transfer using the pipeline architecture. All input and outputs are synchronized with the positive edge of the clock. The synchronous DRAMs are compatible with Low Voltage TTL (LVTTL). These products are packaged in 54-pin TSOP-2.

## PIN CONFIGURATIONS

54-Pin TSOP-2 (IC42S81600)



54-Pin TSOP-2 (IC42S16800)

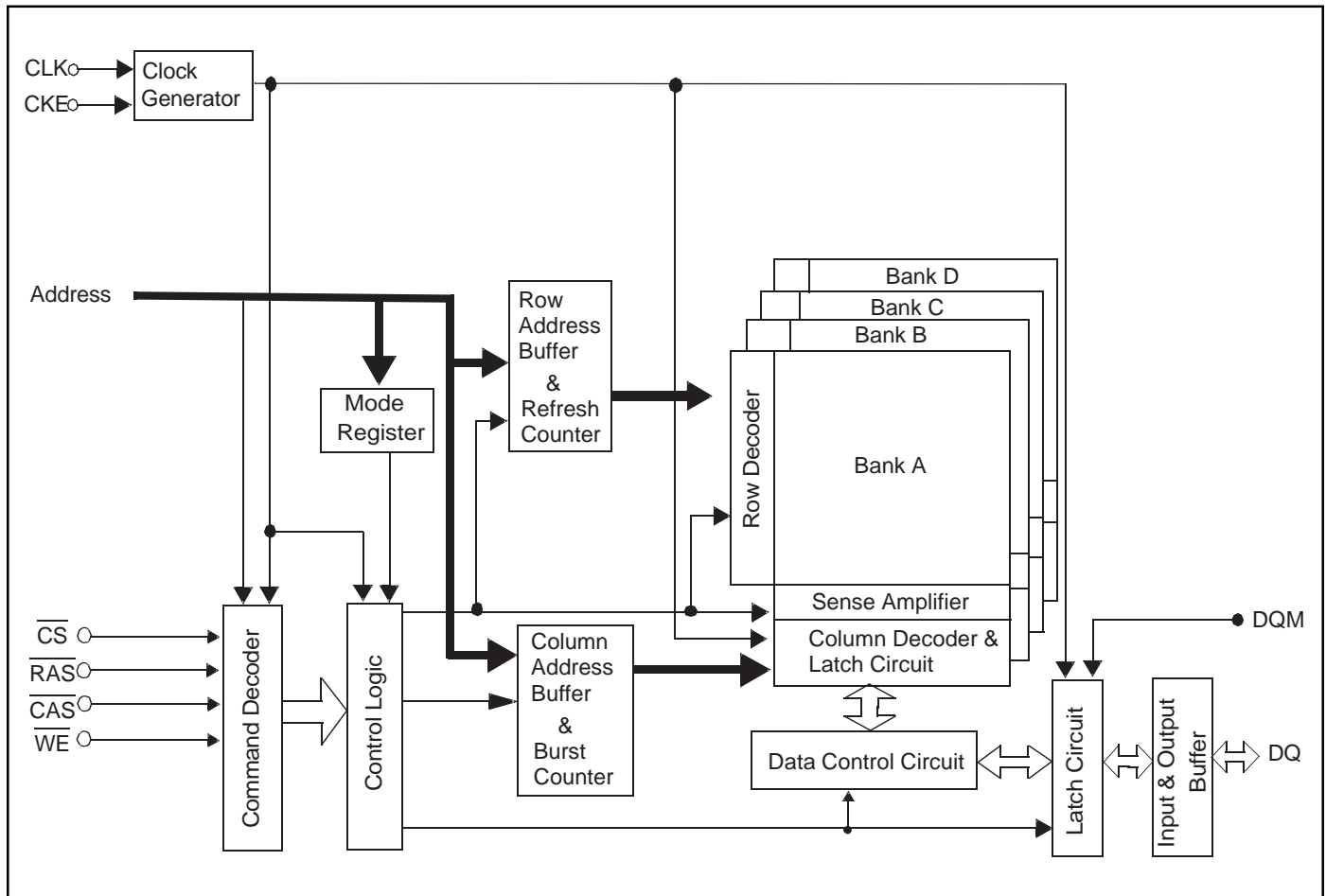


## PIN DESCRIPTIONS

Pin Name	Function
CLK	Master Clock
CKE	Clock Enable
CS	Chip Select
RAS	Row Address Strobe
CAS	Column Address Strobe
WE	Write Enable
DQ0 ~ DQ15	Data I/O

Pin Name	Function
DQM	DQ Mask Enable
A0-11	Address Input
BA0,1	Bank Address
VDD	Power Supply
VDDQ	Power Supply for DQ
VSS	Ground
VSSQ	Ground for DQ

**FUNCTIONAL BLOCK DIAGRAM**



## PIN FUNCTIONS

Symbol	Type	Function (In Detail)
CLK	Input Pin	Master Clock: Other inputs signals are referenced to the CLK rising edge
CKE	Input Pin	Clock Enable: CKE HIGH activates, and CKE LOW deactivates internal clock signals, device input buffers and output drivers. Deactivating the clock provides PRECHARGE POWER-DOWN and SELF REFRESH operation (all banks idle), or ACTIVE POWER-DOWN (row ACTIVE in any bank).
$\overline{CS}$	Input Pin	Chip Select: $\overline{CS}$ enables (registered LOW) and disables (registered HIGH) the command decoder. All commands are masked when $\overline{CS}$ is registered HIGH. $\overline{CS}$ provides for external bank selection on systems with multiple banks. $\overline{CS}$ is considered part of the command code.
$\overline{RAS}$ , $\overline{CAS}$ , $\overline{WE}$	Input Pin	Command Inputs: $\overline{RAS}$ , $\overline{CAS}$ and $\overline{WE}$ (along with $\overline{CS}$ ) define the command being entered.
A0-A11	Input Pin	Address Inputs: Provide the row address for ACTIVE commands, and the column address and AUTO PRECHARGE bit for READ/WRITE commands, to select one location out of the memory array in the respective bank. The row address is specified by A0-A11. The column address is specified by A0-A9 (IC42S81600) / A0-A8 (IC42S16800)
BA0,BA1	Input Pin	Bank Address Inputs: BA0 and BA1 define to which bank an ACTIVE, READ, WRITE or PRECHARGE command is being applied.
DQM, UDQM ,LDQM	Input Pin	Din Mask / Output Disable: When DQM is high in burst write, Din for the current cycle is masked. When DQM is is high in burst read, Dout is disable at the next but one cycle.
DQ0 to DQ15	I/O Pin	Data Input / Output: Data bus.
V <sub>DD</sub> , V <sub>SS</sub>	Power Supply Pin	Power Supply for the memory array and peripheral circuitry.
V <sub>DDQ</sub> , V <sub>SSQ</sub>	Power Supply Pin	Power Supply are supplied to the output buffers only.

## ABSOLUTE MAXIMUM RATINGS<sup>(1)</sup>

Symbol	Parameters	Rating	Unit
V <sub>DD</sub>	Supply Voltage (with respect to V <sub>SS</sub> )	-0.5 to +4.6	V
V <sub>DDQ</sub>	Supply Voltage for Output (with respect to V <sub>SSQ</sub> )	-0.5 to +4.6	V
V <sub>I</sub>	Input Voltage (with respect to V <sub>SS</sub> )	-0.5 to V <sub>DD</sub> +0.5	V
V <sub>O</sub>	Output Voltage (with respect to V <sub>SSQ</sub> )	-1.0 to V <sub>DDQ</sub> +0.5	V
I <sub>O</sub>	Short circuit output current	50	mA
P <sub>D</sub>	Power Dissipation (T <sub>A</sub> = 25 °C)	1	W
T <sub>OPT</sub>	Operating Temperature	Commercial Industrial	0 to +70 -40 to +85
T <sub>STG</sub>	Storage Temperature	-65 to +150	°C

### Notes:

1. Exposing the device to stress above those listed in Absolute Maximum Ratings could cause permanent damage. The device is not meant to be operated under conditions outside the limits described in the operational section of this specification. Exposure to Absolute Maximum Rating conditions for extended periods may affect device reliability.

## DC RECOMMENDED OPERATING CONDITIONS

(At unless otherwise noted)

Symbol	Parameter	Min.	Typ.	Max.	Unit
V <sub>DD</sub>	Supply Voltage	3.0	3.3	3.6	V
V <sub>DDQ</sub>	Supply Voltage for DQ	3.0	3.3	3.6	V
V <sub>IH</sub>	High Level Input Voltage (all Inputs)	2.0	—	V <sub>DD</sub> + 1.2	V
V <sub>IL</sub>	Low Level Input Voltage (all Inputs)	-1.2	—	+0.8	V

### Notes:

1. All voltages are referenced to V<sub>SS</sub> = 0V
2. V<sub>IH</sub>(max) for pulse width with ≤ 3ns of duration
3. V<sub>IL</sub>(min) for pulse width with ≤ 3ns of duration

## CAPACITANCE CHARACTERISTICS

(At V<sub>DD</sub> = V<sub>DDQ</sub> = 3.3 ± 0.3V, V<sub>SS</sub> = V<sub>SSQ</sub> = 0V, unless otherwise noted)

Symbol	Parameter	Min.	Max.		Unit
			-6	-7/-8	
C <sub>IN</sub>	Input Capacitance, address & control pin	2.5	3.8	5.0	pF
C <sub>CLK</sub>	Input Capacitance, CLK pin	2.5	3.5	4.0	pF
C <sub>I/O</sub>	Data Input/Output Capacitance	4.0	6.5	6.5	pF

## DC CHARACTERISTICS 1

(At  $V_{DD} = V_{DDQ} = 3.3 \pm 0.3V$ ,  $V_{SS} = V_{SSQ} = 0V$ , unless otherwise noted)

Symbol	Parameter	Test Condition	Organization	Max.			Unit
				-6	-7	-8	
I <sub>CC1</sub> <sup>(1)</sup>	Operating Current  t <sub>RC</sub> = t <sub>RC</sub> (min.)	One Bank active, CL=3, BL=1	x8	120	100	100	mA
			x16	140	120	120	mA
		t <sub>CLK</sub> = t <sub>CLK</sub> (min.)					
I <sub>CC2P</sub>	Precharge Standby Current (In Power-Down Mode)	CKE ≤ V <sub>IL</sub> (MAX) t <sub>CK</sub> = 15 ns	x8/x16	2	2	2	mA
I <sub>CC2PS</sub>		CKE ≤ V <sub>IL</sub> (MAX) CLK ≤ V <sub>IL</sub> (MAX)	x8/x16	1	1	1	mA
I <sub>CC2N</sub> <sup>(2)</sup>	Precharge Standby Current (In Non Power-Down Mode)	$\overline{CS} \geq V_{CC} - 0.2V$ CKE ≥ V <sub>IH</sub> (MIN) t <sub>CK</sub> = 15 ns	x8/x16	25	25	25	mA
I <sub>CC2NS</sub>		$\overline{CS} \geq V_{CC} - 0.2V$ CKE ≥ V <sub>IH</sub> (MIN) CKE ≤ V <sub>IL</sub> (MAX) All input signals are stable.	x8/x16	15	15	15	mA
I <sub>CC3N</sub> <sup>(2)</sup>	Active Standby Current (In Non Power-Down Mode)	$\overline{CS} \geq V_{CC} - 0.2V$ CKE ≥ V <sub>IH</sub> (MIN) t <sub>CK</sub> = 15 ns	x8/x16	30	30	30	mA
I <sub>CC3NS</sub>		$\overline{CS} \geq V_{CC} - 0.2V$ CKE ≥ V <sub>IH</sub> (MIN) CKE ≤ V <sub>IL</sub> (MAX) All input signals are stable.	x8/x16	20	20	20	mA
I <sub>CC4</sub>	Operating Current (In Burst Mode)  CL latency = 3	All Banks active BL=4	x8	170	120	120	mA
		t <sub>CK</sub> = t <sub>CK</sub> (MIN)	x16	180	130	130	mA
I <sub>CC5</sub>	Auto-Refresh Current	t <sub>RC</sub> = t <sub>RC</sub> (MIN) t <sub>CLK</sub> = t <sub>CLK</sub> (MIN)	x8/x16	180	160	160	mA
I <sub>CC6</sub> <sup>(3,4)</sup>	Self-Refresh Current	CKE ≤ 0.2V	x8/x16, normal	2	2	2	mA
			x8/x16, Low power	0.8	0.8	0.8	mA

**Notes:**

- I<sub>CC</sub>(max) is specified at the output open condition.
- Input signals are changed one time during 30ns.
- Normal version: IC42S81600/IC42S16800
- Low power version: IC42S81600L/IC42S16800L

## DC CHARACTERISTICS 2

( $V_{DD} = 3.3 \pm 0.3V$ ,  $V_{SS} = V_{SSQ} = 0V$ , unless otherwise noted)

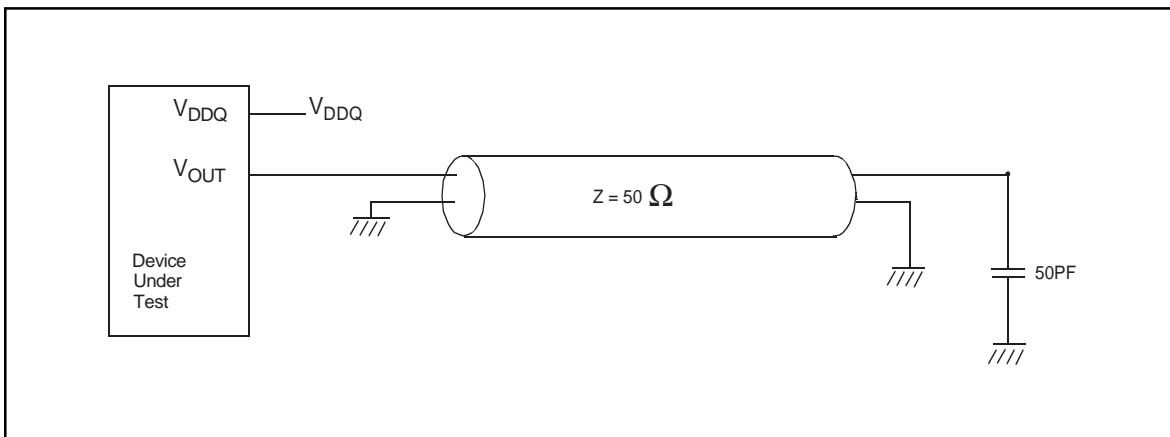
Parameter	Symbol	Test Condition	Min	Max	Unit
Input Leakage Current (Inputs)	I <sub>I(L)</sub>	0 ≤ V <sub>IN</sub> ≤ V <sub>DD</sub> (MAX) Pins not under test = 0V	-10	10	μA
Output Leakage Current (I/O pins)	I <sub>O(L)</sub>	0 ≤ V <sub>OUT</sub> ≤ V <sub>DD</sub> (MAX) DQ# in H - Z., D <sub>OUT</sub> is disabled	-5	5	μA
High Level Output Voltage	V <sub>OH</sub> (DC)	I <sub>OH</sub> = -2 mA	2.4	—	V
Low Level Output Voltage	V <sub>OL</sub> (DC)	I <sub>OL</sub> = 2 mA	—	0.4	V

## AC TEST CONDITIONS

(At  $V_{DD} = V_{DDQ} = 3.3 \pm 0.3V$ ,  $V_{SS} = V_{SSQ} = 0V$ , unless otherwise noted)

Parameter	Rating	Unit
AC input Levels ( $V_{IH} / V_{IL}$ )	2.0 / 0.8	V
Input timing reference level /Output timing reference level	1.4	V
Input rise and fall time	1	ns
Output load condition	50	pF

## Output Load Conditions





## AC ELECTRICAL CHARACTERISTICS

(At  $V_{DD} = V_{DDQ} = 3.3 \pm 0.3V$ ,  $V_{SS} = V_{SSQ} = 0V$ , unless otherwise noted)

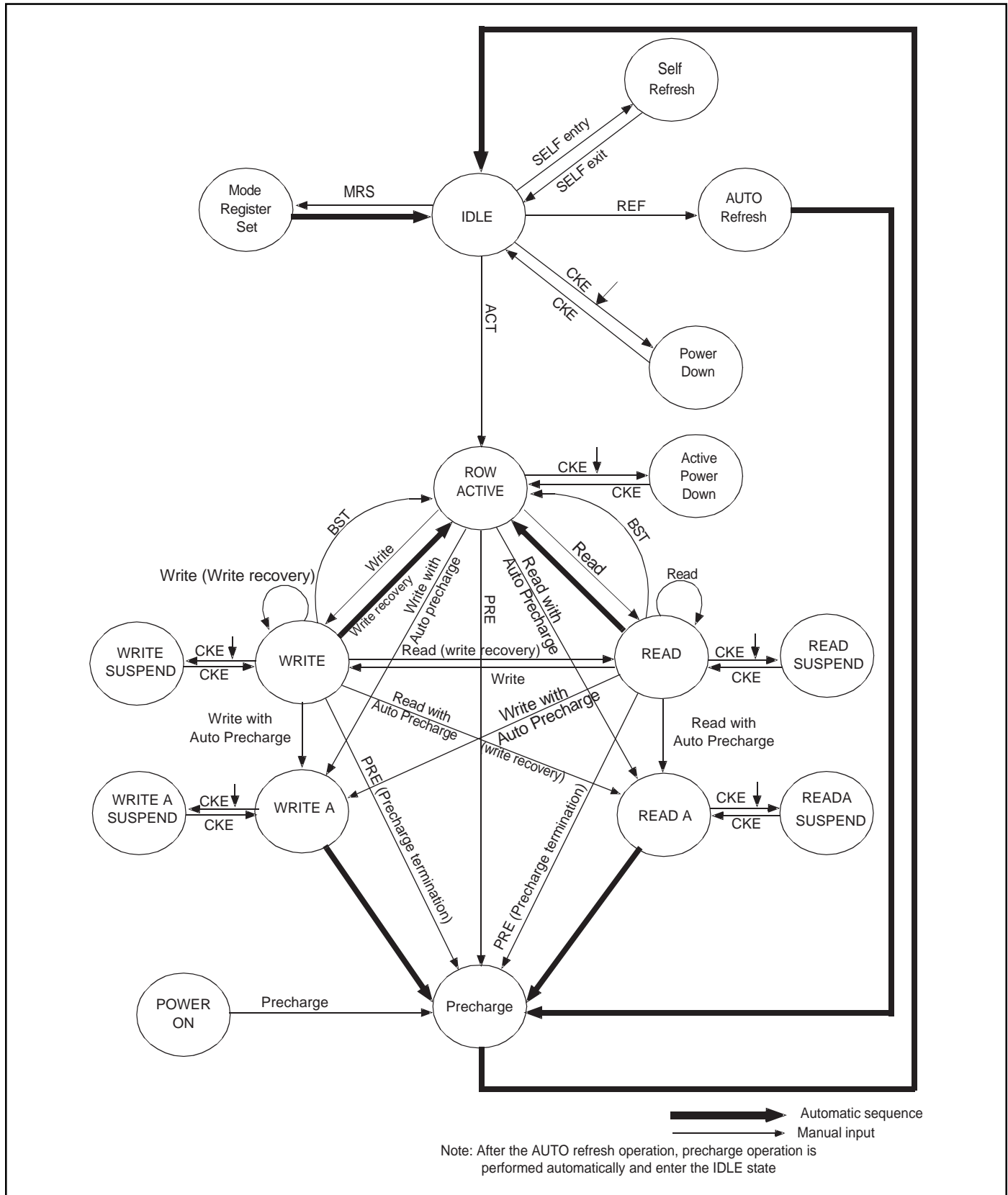
Symbol	Parameter		-6		-7		-8		Units
			Min.	Max.	Min.	Max.	Min.	Max.	
tck3	CLK Cycle Time	CL= 3	6	—	7.5	—	8	—	ns
tck2		CL= 2	7.5	—	10	—	10	—	ns
tac3	CLK to valid output delay <sup>(1)</sup>	CL= 3	—	5.4	—	5.4	—	6	ns
tac2		CL= 2	—	5.4	—	6	—	6	ns
tch	CLK high pulse width		2.5	—	2.5	—	3	—	ns
tcl	CLK low pulse width		2.5	—	2.5	—	3	—	ns
tcke	CKE setup time		1.5	—	1.5	—	2	—	ns
tckh	CKE hold time		0.8	—	0.8	—	1	—	ns
tas	Address setup time		1.5	—	1.5	—	2	—	ns
tah	Address hold time		0.8	—	0.8	—	1	—	ns
tcms	Command setup time		1.5	—	1.5	—	2	—	ns
tcmh	Command hold time		0.8	—	0.8	—	1	—	ns
tds	Data input setup time		1.5	—	1.5	—	2	—	ns
tdh	Data input hold time		0.8	—	0.8	—	1	—	ns
toh3	Output data hold time <sup>(1)</sup>	CL= 3	2.7	—	2.7	—	3	—	ns
toh2		CL= 2	2.7	—	3	—	3	—	ns
tlz	CLK to output in low - Z		0	—	0	—	0	—	ns
thz	CLK to output in H - Z		2.7	5.4	2.7	5.4	3	6	ns
trc	ROW cycle time		60.0	—	67.5	—	70	—	ns
tr <sub>AS</sub>	ROW active time		42	100K	45	100K	50	100K	ns
tr <sub>CD</sub>	$\overline{RAS}$ to $\overline{CAS}$ delay		18	—	20	—	20	—	ns
trp	Row precharge time		15	—	20	—	20	—	ns
tr <sub>RD</sub>	Row active to active delay		12	—	15	—	20	—	ns
tt	Transition time		1	10	1	10	1	10	ns
tr <sub>SC</sub>	Mode reg. set cycle		12	—	15	—	20	—	ns
tp <sub>DE</sub>	Power down exit setup time		6	—	7.5	—	10	—	ns
ts <sub>RX</sub>	Self refresh exit time		6	—	7.5	—	10	—	ns
td <sub>PL</sub>	Data in to Precharge		12	—	15	—	16	—	ns
td <sub>DAL</sub>	Data in to Active/Refresh Delay Time		27	—	35	—	36	—	ns
t <sub>REF</sub>	Refresh Time		—	64	—	64	—	64	ms

**Notes:**

1. if clock rising time is longer than 1ns, (tr/2-0.5ns) should be added to the parameter.

Basic Features and Function Description

Simplified State Diagram





**OPERATION COMMAND TABLE<sup>(1)</sup>**

Current State	Command	Operation	$\overline{CS}$	$\overline{RAS}$	$\overline{CAS}$	$\overline{WE}$	Address
Idle	DESL	NOP or Power-Down <sup>(2)</sup>	H	X	X	X	X
	NOP or BST	NOP or Power-Down <sup>(2)</sup>	L	H	H	X	X
	READ / READA	Illegal <sup>(3)</sup>	L	H	L	H	BA, CA, A10
	WRIT/WRITA	Illegal <sup>(3)</sup>	L	H	L	L	BA, CA, A10
	ACT	Row Active	L	L	H	H	BR, RA
	PRE/PALL	NOP	L	L	H	L	BA, A10
	REF/SELF	Refresh or Self-Refresh <sup>(4)</sup>	L	L	L	H	X
	MRS	Mode Register Set	L	L	L	L	Op-Code
Row Active	DESL	NOP	H	X	X	X	X
	NOP or BST	NOP	L	H	H	H	X
	READ/READA	Begin read : Determine AP <sup>(5)</sup>	L	H	L	H	BA, CA, A10
	WRIT/WRITA	Begin write : Determine AP <sup>(5)</sup>	L	H	L	L	BA, CA, A10
	ACT	Illegal <sup>(3)</sup>	L	L	H	H	BR, RA
	PRE/PALL	Precharge <sup>(6)</sup>	L	L	H	L	BA, A10
	REF/SELF	Illegal	L	L	L	H	X
	MRS	Illegal	L	L	L	L	Op-Code
Read	DESL	Continue burst to end → Row active	H	X	X	X	X
	NOP	Continue burst to end → Row active	L	H	H	H	X
	BST	Burst stop → Row active	L	H	H	L	X
	READ/READA	Term burst, new read : Determine AP <sup>(7)</sup>	L	H	L	H	BA, CA, A10
	WRIT/WRITA	Term burst, start write : Determine AP <sup>(7, 8)</sup>	L	H	L	L	BA, CA, A10
	ACT	Illegal <sup>(3)</sup>	L	L	H	H	BR, RA
	PRE/PALL	Term burst, precharging	L	L	H	L	BA, A10
	REF/SELF	Illegal	L	L	L	H	X
MRS	Illegal	L	L	L	L	Op-Code	
Write	DESL	Continue burst to end → write recovering	H	X	X	X	X
	NOP	Continue burst to end → write recovering	L	H	H	H	X
	BST	Burst stop → Row active	L	H	H	L	X
	READ/READA	Term burst, start read : Determine AP <sup>(7, 8)</sup>	L	H	L	H	BA, CA, A10
	WRIT/WRITA	Term burst, new write : Determine AP <sup>(7)</sup>	L	H	L	L	BA, CA, A10
	ACT	Illegal <sup>(3)</sup>	L	L	H	H	BR, RA
	PRE/PALL	Term burst, precharging <sup>(9)</sup>	L	L	H	L	BA, A10
	REF/SELF	Illegal	L	L	L	H	X
MRS	Illegal	L	L	L	L	Op-Code	
Read With Auto- Precharge	DESL	Continue burst to end → Precharging	H	X	X	X	X
	NOP	Continue burst to end → Precharging	L	H	H	H	X
	BST	Illegal	L	H	H	L	X
	READ/READA	Illegal <sup>(11)</sup>	L	H	L	H	BA, CA, A10
	WRIT/WRITA	Illegal <sup>(11)</sup>	L	H	L	L	BA, CA, A10
	ACT	Illegal <sup>(3)</sup>	L	L	H	H	BR, RA
	PRE/PALL	Illegal <sup>(11)</sup>	L	L	H	L	BA, A10
	REF/SELF	Illegal	L	L	L	H	X
MRS	Illegal	L	L	L	L	Op-Code	

**OPERATION COMMAND TABLE**(continue)

Current State	Command	Operation	$\overline{CS}$	$\overline{RAS}$	$\overline{CAS}$	$\overline{WE}$	Address
Write with auto precharge	DESL	Continue burst to end → write recovering with auto precharge	H	X	X	X	X
	NOP	Continue burst to end → write recovering with auto precharge	L	H	H	H	X
	BST	Illegal	L	H	H	L	X
	READ / READA	Illegal <sup>(11)</sup>	L	H	L	H	BA, CA, A10
	WRIT/WRITA	Illegal <sup>(11)</sup>	L	H	L	L	BA, CA, A10
	ACT	Illegal <sup>(3, 11)</sup>	L	L	H	H	BR, RA
	PRE/PALL	Illegal <sup>(3, 11)</sup>	L	L	H	L	BA, A10
	REF/SELF	Illegal	L	L	L	H	X
	MRS	Illegal	L	L	L	L	Op-Code
Precharging	DESL	Nop → Enter idle after tRP	H	X	X	X	X
	NOP	Nop → Enter idle after tRP	L	H	H	H	X
	BST	Nop → Enter idle after tRP	L	H	H	L	X
	READ/READA	Illegal <sup>(3)</sup>	L	H	L	H	BA, CA, A10
	WRIT/WRITA	Illegal <sup>(3)</sup>	L	H	L	L	BA, CA, A10
	ACT	Illegal <sup>(3)</sup>	L	L	H	H	BR, RA
	PRE/PALL	Nop → Enter idle after tRP	L	L	H	L	BA, A10
	REF/SELF	Illegal	L	L	L	H	X
	MRS	Illegal	L	L	L	L	Op-Code
Row activating	DESL	Nop → Enter row active after tRCD	H	X	X	X	X
	NOP	Nop → Enter row active after tRCD	L	H	H	H	X
	BST	Nop → Enter row active after tRCD	L	H	H	L	X
	READ/READA	Illegal <sup>(3)</sup>	L	H	L	H	BA, CA, A10
	WRIT/WRITA	Illegal <sup>(3)</sup>	L	H	L	L	BA, CA, A10
	ACT	Illegal <sup>(3, 9)</sup>	L	L	H	H	BR, RA
	PRE/PALL	Illegal <sup>(3)</sup>	L	L	H	L	BA, A10
	REF/SELF	Illegal	L	L	L	H	X
	MRS	Illegal	L	L	L	L	Op-Code
Write recovering	DESL	Nop → Enter row active after tDPL	H	X	X	X	X
	NOP	Nop → Enter row active after tDPL	L	H	H	H	X
	BST	Nop → Enter row active after tDPL	L	H	H	L	X
	READ/READA	Start read, Determine AP <sup>(8)</sup>	L	H	L	H	BA, CA, A10
	WRIT/WRITA	New write, Determine AP	L	H	L	L	BA, CA, A10
	ACT	Illegal <sup>(3)</sup>	L	L	H	H	BR, RA
	PRE/PALL	Illegal <sup>(3)</sup>	L	L	H	L	BA, A10
	REF/SELF	Illegal	L	L	L	H	X
	MRS	Illegal	L	L	L	L	Op-Code

**OPERATION COMMAND TABLE**<sup>(continue)</sup>

Current State	Command	Operation	$\overline{CS}$	$\overline{RAS}$	$\overline{CAS}$	$\overline{WE}$	Address
Write recovering with auto precharge	DESL	Nop → Enter precharge after t <sub>DPL</sub>	H	X	X	X	X
	NOP	Nop → Enter precharge after t <sub>DPL</sub>	L	H	H	H	X
	BST	Nop → Enter precharge after t <sub>DPL</sub>	L	H	H	L	X
	READ/READA	Illegal <sup>(3, 8, 11)</sup>	L	H	L	H	BA, CA, A10
	WRIT/WRITA	Illegal <sup>(3,11)</sup>	L	H	L	L	BA, CA, A10
	ACT	Illegal <sup>(3, 11)</sup>	L	L	H	H	BR, RA
	PRE/PALL	Illegal <sup>(3, 11)</sup>	L	L	H	L	BA, A10
	REF/SELF	Illegal	L	L	L	H	X
	MRS	Illegal	L	L	L	L	Op-Code
Auto Refreshing	DESL	Nop Enter idle after t <sub>RC</sub>	H	X	X	X	X
	NOP/BST	Nop Enter idle after t <sub>RC</sub>	L	H	H	X	X
	READ/WRIT	Illegal	L	H	L	X	X
	ACT/PRE/PALL	Illegal	L	L	H	X	X
	REF/SELF/MRS	Illegal	L	L	L	X	X
Mode register setting	DESL	Nop → Enter idle after 2 Clocks	H	X	X	X	X
	NOP	Nop → Enter idle after 2 Clocks	L	H	H	H	X
	BST	Illegal	L	H	H	L	X
	READ/WRIT	Illegal	L	H	L	X	X
	ACT/PRE/PALL/ REF/SELF/MRS	Illegal	L	L	X	X	X

**Notes:**

1. All entries assume that CKE was active (High level) during the preceding clock cycle.
2. If both banks are idle, and CKE is inactive (Low level), the device will enter Power downmode. All input buffers except CKE will be disabled.
3. Illegal to bank in specified states; Function may be legal in the bank indicated by Bank Address(BA), depending on the state of that bank.
4. If both banks are idle, and CKE is inactive (Low level), the device will enter Self refresh mode. All input buffers except CKE will be disabled.
5. Illegal if t<sub>RCD</sub> is not satisfied.
6. Illegal if t<sub>RAS</sub> is not satisfied.
7. Must satisfy burst interrupt condition.
8. Must satisfy bus contention, bus turn around, and/or write recovery requirements.
9. Must mask preceding data which don't satisfy t<sub>DPL</sub>.
10. Illegal if t<sub>RRD</sub> is not satisfied.
11. Illegal for single bank, but legal for other banks in multi-bank devices.

**CKE RELATED COMMAND TRUTH TABLE<sup>(1)</sup>**

Current State	Operation	CKE		$\overline{CS}$	$\overline{RAS}$	$\overline{CAS}$	$\overline{WE}$	Address
		n-1	n					
Self-Refresh (S.R.)	INVALID, CLK (n - 1) would exit S.R.	H	X	X	X	X	X	X
	Self-Refresh Recovery <sup>(2)</sup>	L	H	H	X	X	X	X
	Self-Refresh Recovery <sup>(2)</sup>	L	H	L	H	H	X	X
	Illegal	L	H	L	H	L	X	X
	Illegal	L	H	L	L	X	X	X
	Maintain S.R.	L	L	X	X	X	X	X
Self-Refresh Recovery	Idle After t <sub>RC</sub>	H	H	H	X	X	X	X
	Idle After t <sub>RC</sub>	H	H	L	H	H	X	X
	Illegal	H	H	L	H	L	X	X
	Illegal	H	H	L	L	X	X	X
	Begin clock suspend next cycle <sup>(5)</sup>	H	L	H	X	X	X	X
	Begin clock suspend next cycle <sup>(5)</sup>	H	L	L	H	H	X	X
	Illegal	H	L	L	H	L	X	X
	Illegal	H	L	L	L	X	X	X
	Exit clock suspend next cycle <sup>(2)</sup>	L	H	X	X	X	X	X
	Maintain clock suspend	L	L	X	X	X	X	X
Power-Down (P.D.)	INVALID, CLK (n - 1) would exit P.D.	H	X	X	X	X	X	—
	EXIT P.D. → Idle <sup>(2)</sup>	L	H	X	X	X	X	X
	Maintain power down mode	L	L	X	X	X	X	X
Both Banks Idle	Refer to operations in Operative Command Table	H	H	H	X	X	X	—
	Refer to operations in Operative Command Table	H	H	L	H	X	X	—
	Refer to operations in Operative Command Table	H	H	L	L	H	X	—
	Auto-Refresh	H	H	L	L	L	H	X
	Refer to operations in Operative Command Table	H	H	L	L	L	L	Op - Code
	Refer to operations in Operative Command Table	H	L	H	X	X	X	—
	Refer to operations in Operative Command Table	H	L	L	H	X	X	—
	Refer to operations in Operative Command Table	H	L	L	L	H	X	—
	Self-Refresh <sup>(3)</sup>	H	L	L	L	L	H	X
	Refer to operations in Operative Command Table	H	L	L	L	L	L	Op - Code
Power-Down <sup>(3)</sup>	L	X	X	X	X	X	X	
Any state other than listed above	Refer to operations in Operative Command Table	H	H	X	X	X	X	X
	Begin clock suspend next cycle <sup>(4)</sup>	H	L	X	X	X	X	X
	Exit clock suspend next cycle	L	H	X	X	X	X	X
	Maintain clock suspend	L	L	X	X	X	X	X

**Notes:**

1. H : High level, L : low level, X : High or low level (Don't care).
2. CKE Low to High transition will re-enable CLK and other inputs asynchronously. A minimum setup time must be satisfied before any command other than EXIT.
3. Power down and Self refresh can be entered only from the both banks idle state.
4. Must be legal command as defined in Operative Command Table.
5. Illegal if t<sub>SREX</sub> is not satisfied.

## Initialization

Before starting normal operation, the following power on sequence is necessary to prevent SDRAM from damaged or malfunctioning.

1. Apply power and start clock. Attempt to maintain CKE high, DQn high and NOP condition at the inputs.
2. Maintain stable power, stable clock, and NOP input conditions for a minimum of 200us.
3. Issue precharge commands for all bank. (PRE or PALL)
4. After all banks become idle state (after tRP), issue 8 or more auto-refresh commands.
5. Issue a mode register set command to initialize the mode register.

After these sequence, the SDRAM is in idle state and ready for normal operation.

## Programming the Mode Register

The mode register is programmed by the mode register set command using address bits A13 through A0 as data inputs. The register retains data until it is reprogrammed or the device loses power.

The mode register has four fields;

Options : A13 through A7

CAS latency : A6 through A4

Wrap type : A3

Burst length : A2 through A0

Following mode register programming, no command can be asserted before at least two clock cycles have elapsed.

## CAS Latency

CAS latency is the most critical parameter being set. It tells the device how many clocks must elapse before the data will be available.

The value is determined by the frequency of the clock and the speed grade of the device. The value can be programmed as 2 or 3.

## Burst Length

Burst Length is the number of words that will be output or input in read or write cycle. After a read burst is completed, the output bus will become high impedance.

The burst length is programmable as 1, 2, 4, 8 or full page.

## Wrap Type (Burst Sequence)

The wrap type specifies the order in which the burst data will be addressed. The order is programmable as either "Sequential" or "Interleave". The method chosen will depend on the type of CPU in the system.



**MODE REGISTER**

13	12	11	10	9	8	7	6	5	4	3	2	1	0
0	0	0	0	0	0	1							

JEDEC Standard Test Set

13	12	11	10	9	8	7	6	5	4	3	2	1	0
x	x	x	x	1	0	0	LTMODE	WT	BL				

Burst Read and Single Write (for Write Through Cache)

13	12	11	10	9	8	7	6	5	4	3	2	1	0
0	0	0	0	0	0	0	LTMODE	WT	BL				

Burst Read and Burst Write

X = Don't care

Burst length	Bits2 - 0	WT = 0	WT = 1
	000	1	1
	001	2	2
	010	4	4
	011	8	8
	100	R	R
	101	R	R
	110	R	R
111	Fullpage	R	

Wrap type	0	Sequential
	1	Interleave

Latency mode	Bits 6-4	CAS latency
	000	R
	001	R
	010	2
	011	3
	100	R
	101	R
	110	R
111	R	

Remark R : Reserved

## Burst Length and Sequence

### Burst of Two

Starting Address (column address A0, binary)	Sequential Addressing Sequence (decimal)	Interleave Addressing Sequence (decimal)
0	0, 1	0, 1
1	1, 0	1, 0

### Burst of Four

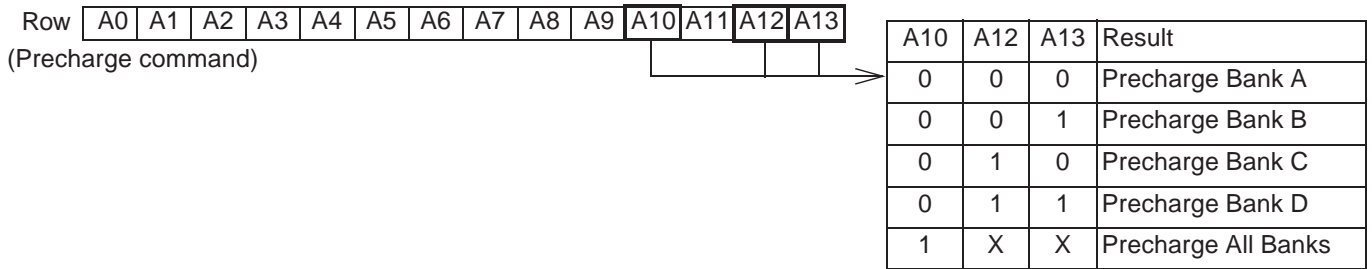
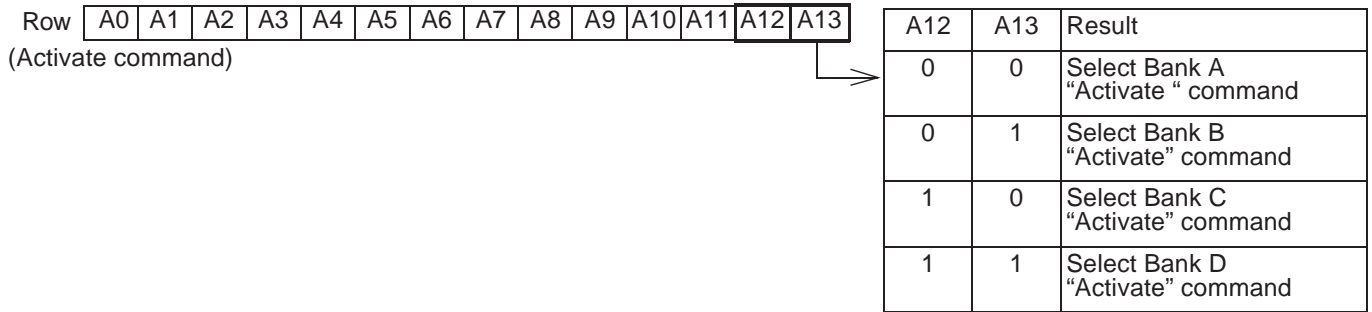
Starting Address (column address A1 - A0, binary)	Sequential Addressing Sequence (decimal)	Interleave Addressing Sequence (decimal)
00	0, 1, 2, 3	0, 1, 2, 3
01	1, 2, 3, 0	1, 0, 3, 2
10	2, 3, 0, 1	2, 3, 0, 1
11	3, 0, 1, 2	3, 2, 1, 0

### Burst of Eight

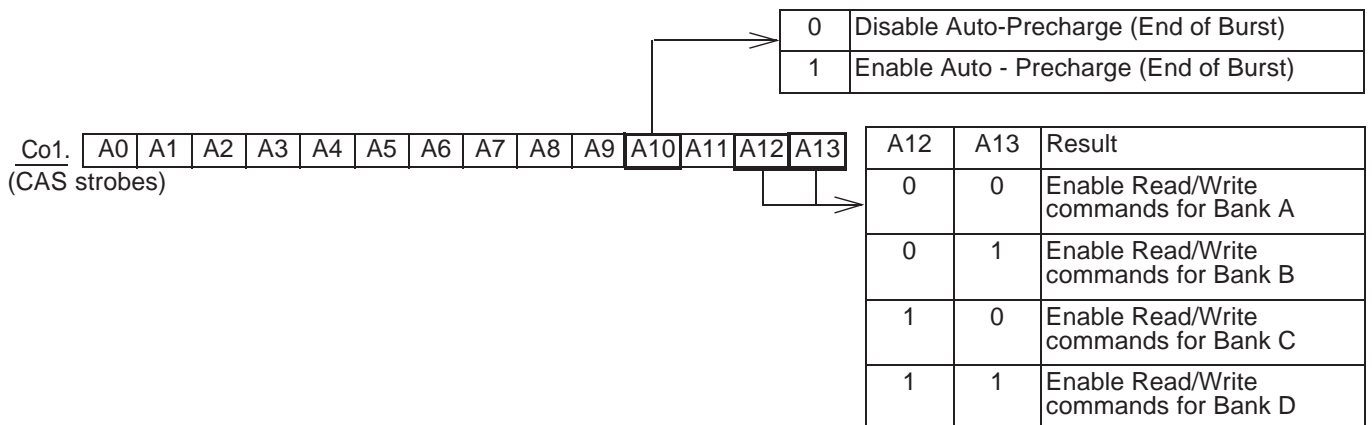
Starting Address (column address A2 - A0, binary)	Sequential Addressing Sequence (decimal)	Interleave Addressing Sequence (decimal)
000	0, 1, 2, 3, 4, 5, 6, 7	0, 1, 2, 3, 4, 5, 6, 7
001	1, 2, 3, 4, 5, 6, 7, 0	1, 0, 3, 2, 5, 4, 7, 6
010	2, 3, 4, 5, 6, 7, 0, 1	2, 3, 0, 1, 6, 7, 4, 5
011	3, 4, 5, 6, 7, 0, 1, 2	3, 2, 1, 0, 7, 6, 5, 4
100	4, 5, 6, 7, 0, 1, 2, 3	4, 5, 6, 7, 0, 1, 2, 3
101	5, 6, 7, 0, 1, 2, 3, 4	5, 4, 7, 6, 1, 0, 3, 2
110	6, 7, 0, 1, 2, 3, 4, 5	6, 7, 4, 5, 2, 3, 0, 1
111	7, 0, 1, 2, 3, 4, 5, 6	7, 6, 5, 4, 3, 2, 1, 0

Full page burst is an extension of the above tables of sequential addressing, with the length being 512 (for 16M x 8) and 256 (for 8Mx16).

### Address Bits of Bank-Select and Precharge



X: Don't care

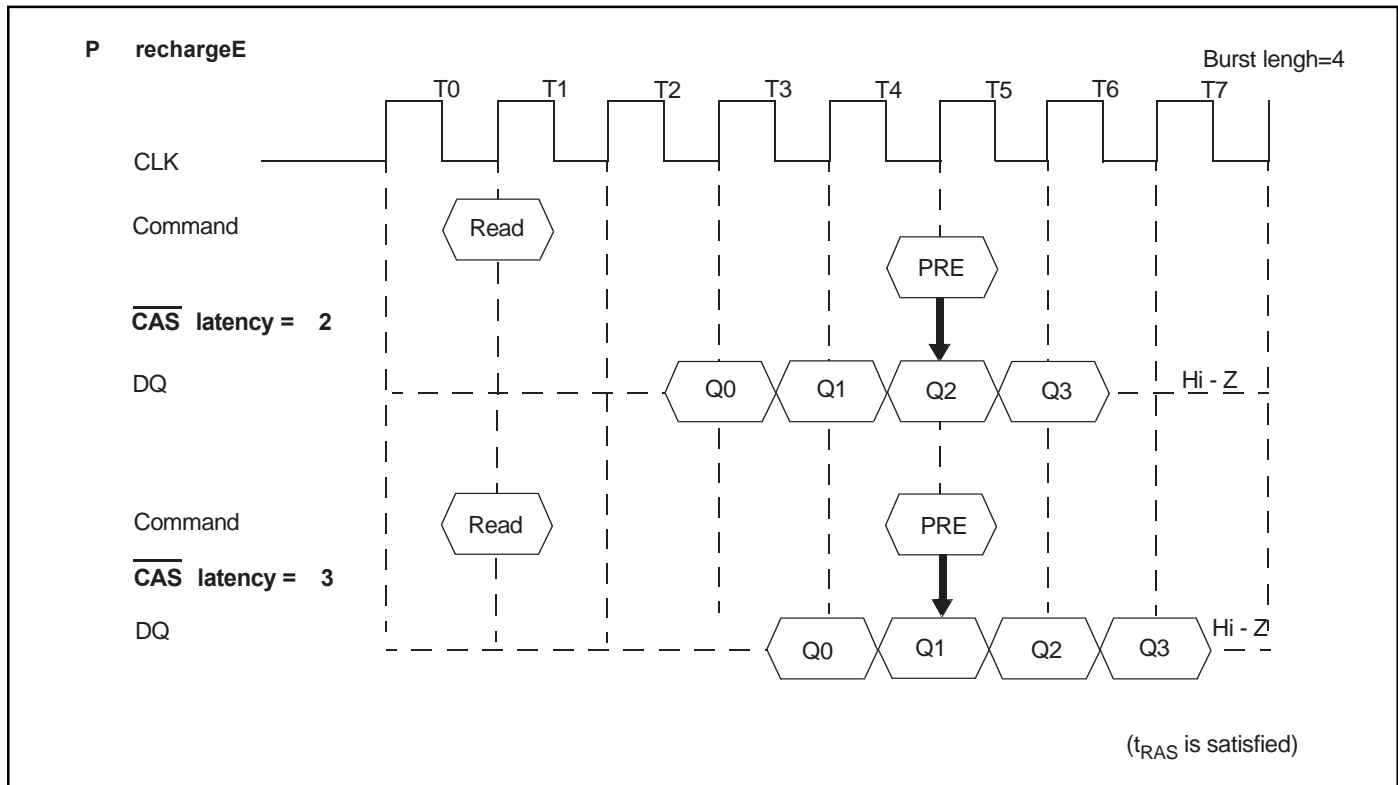


## Precharge

The precharge command can be asserted anytime after  $t_{RAS}(\text{min.})$  is satisfied.

Soon after the precharge command is asserted, the precharge operation is performed and the synchronous DRAM enters the idle state after  $t_{RP}(\text{min.})$  is satisfied. The parameter  $t_{RP}$  is the time required to perform the precharge.

The earliest timing in a read cycle that a precharge command can be asserted without losing any data in the burst is as follows.



In order to write all data to the memory cell correctly, the asynchronous parameter  $t_{DPL}$  must be satisfied. The  $t_{DPL}(\text{min.})$  specification defines the earliest time that a precharge command can be asserted. The minimum number of clocks can be calculated by dividing  $t_{DPL}(\text{min.})$  with the clock cycle time.

In summary, the precharge command can be asserted relative to the reference clock that indicates the last data word is valid. In the following table, minus means clocks before the reference; plus means time after the reference.

$\overline{\text{CAS}}$ latency	Read	Write
2	-1	+ $t_{DPL}(\text{min.})$
3	-2	+ $t_{DPL}(\text{min.})$

### Auto Precharge

During a read or write command cycle, A10 controls whether auto precharge is selected. If A10 is high in the read or write command (Read with Auto precharge command or Write with Auto precharge command), auto precharge is selected and begins automatically.

In the write cycle,  $t_{DAL}(\text{min.})$  must be satisfied before asserting the next activate command to the bank being precharged. When using auto precharge in the read cycle, knowing when the precharge starts is important because the next activate command to the bank being precharged cannot be executed until the precharge cycle ends. Once auto precharge has started, an activate command to the bank can be asserted after  $t_{RP}$  has been satisfied.

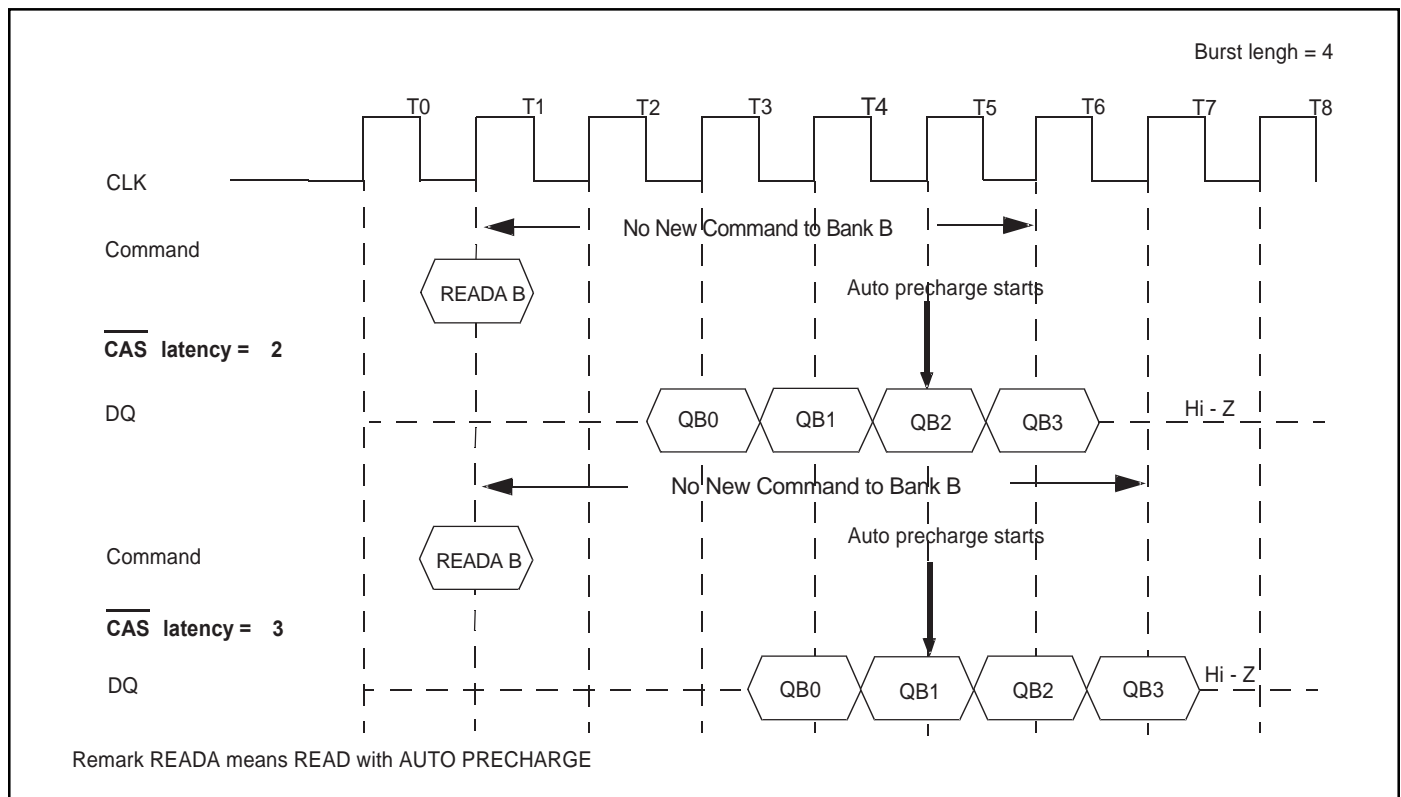
A Read or Write command without auto - precharge can be terminated in the midst of a burst operation. However, a Read or Write command with auto - precharge can not be interrupted by the same bank commands before the entire burst operation is completed. Therefore use of the same bank Read, Write, Precharge or Burst Stop command is prohibited during a read or write cycle with auto - precharge. It should be noted that the device will not respond to the Auto - Precharge command if the device is programmed for full page burst read or write cycles.

The timing when the auto precharge cycle begins depends both on both the  $\overline{\text{CAS}}$  latency programmed into the mode register and whether the cycle is read or write.

### Read with Auto Precharge

During a READA cycle, the auto precharge begins one clock earlier ( $\text{CL} = 2$ ) or two clocks earlier ( $\text{CL} = 3$ ) than the last word output.

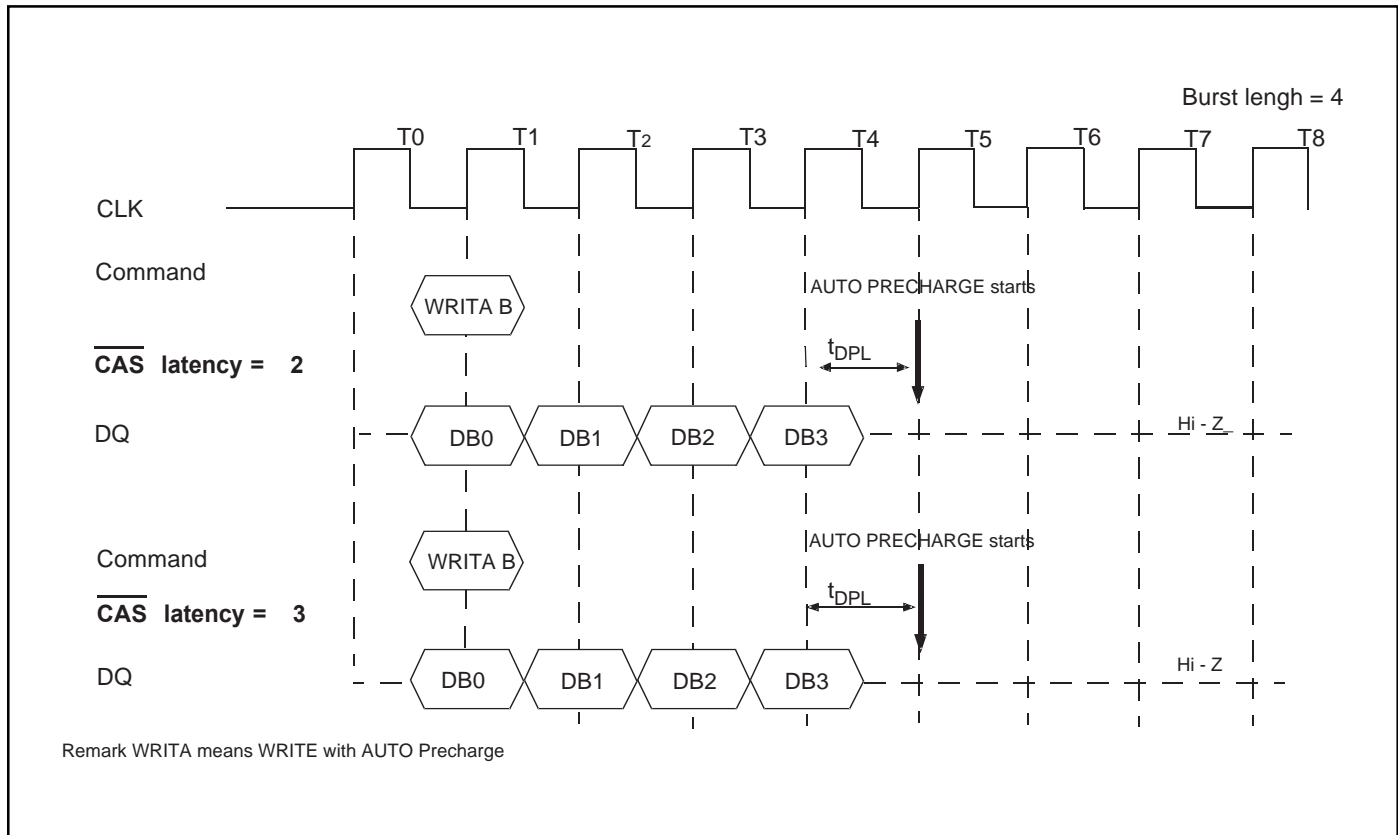
### READ with AUTO PRECHARGE



### Write with Auto Precharge

During a write cycle, the auto precharge starts at the timing that is equal to the value of  $t_{DPL}(\text{min.})$  after the last data word input to the device.

### WRITE with AUTO PRECHARGE



In summary, the auto precharge cycle begins relative to a reference clock that indicates the last data word is valid. In the table below, minus means clocks before the reference; plus means clocks after the reference.

$\overline{\text{CAS}}$ latency	Read	Write
2	-1	+ $t_{DPL}(\text{min.})$
3	-2	+ $t_{DPL}(\text{min.})$

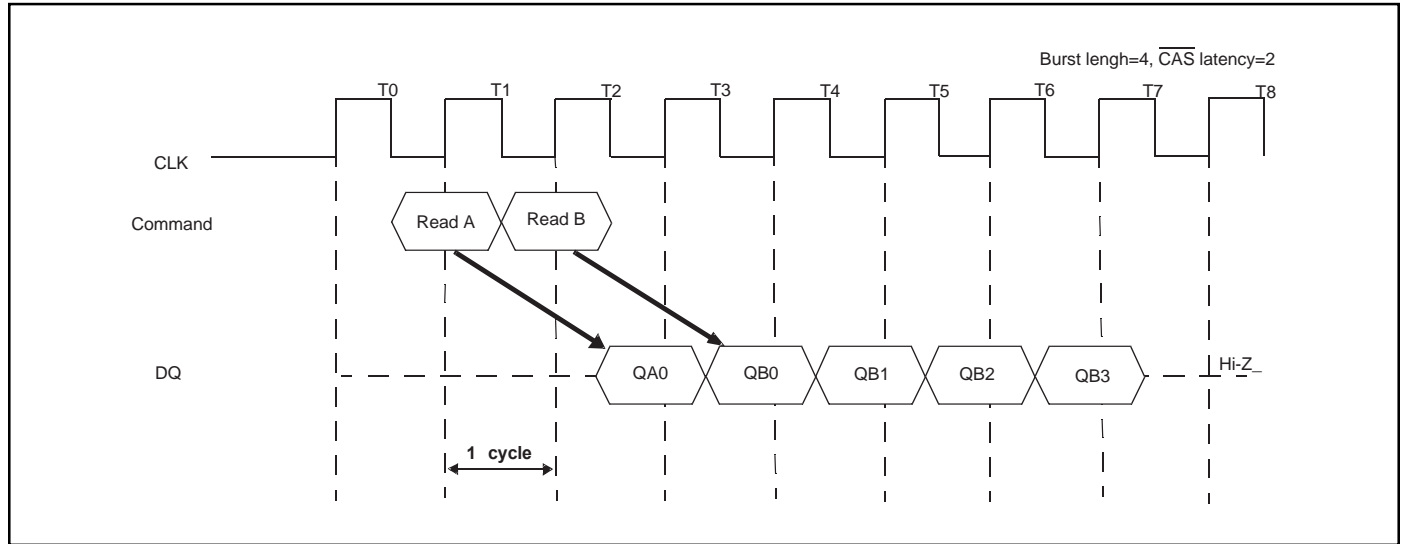
## Read / Write Command Interval

### Read to Read Command Interval

During a read cycle when a new read command is asserted, it will be effective after the  $\overline{\text{CAS}}$  latency, even if the previous read operation has not completed. READ will be interrupted by another READ.

Each read command can be asserted in every clock without any restriction.

### READ to READ Command Interval

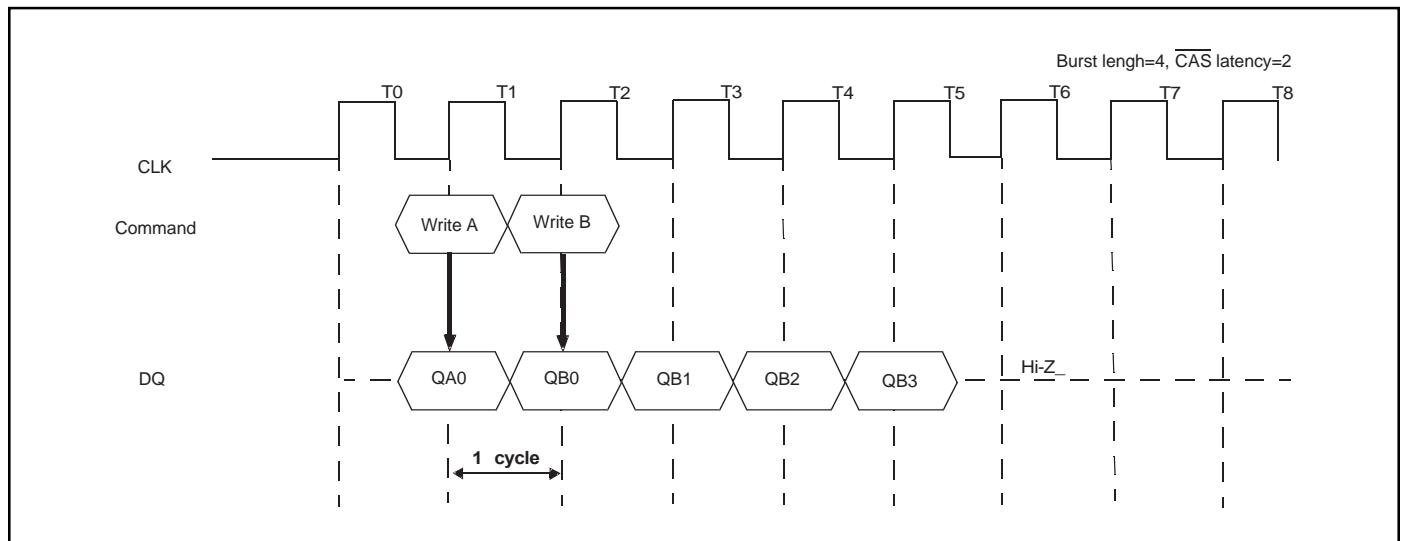


### Write to Write Command Interval

During a write cycle, when a new Write command is asserted, the previous burst will terminate and the new burst will begin with a new write command. WRITE will be interrupted by another WRITE.

Each write command can be asserted in every clock without any restriction.

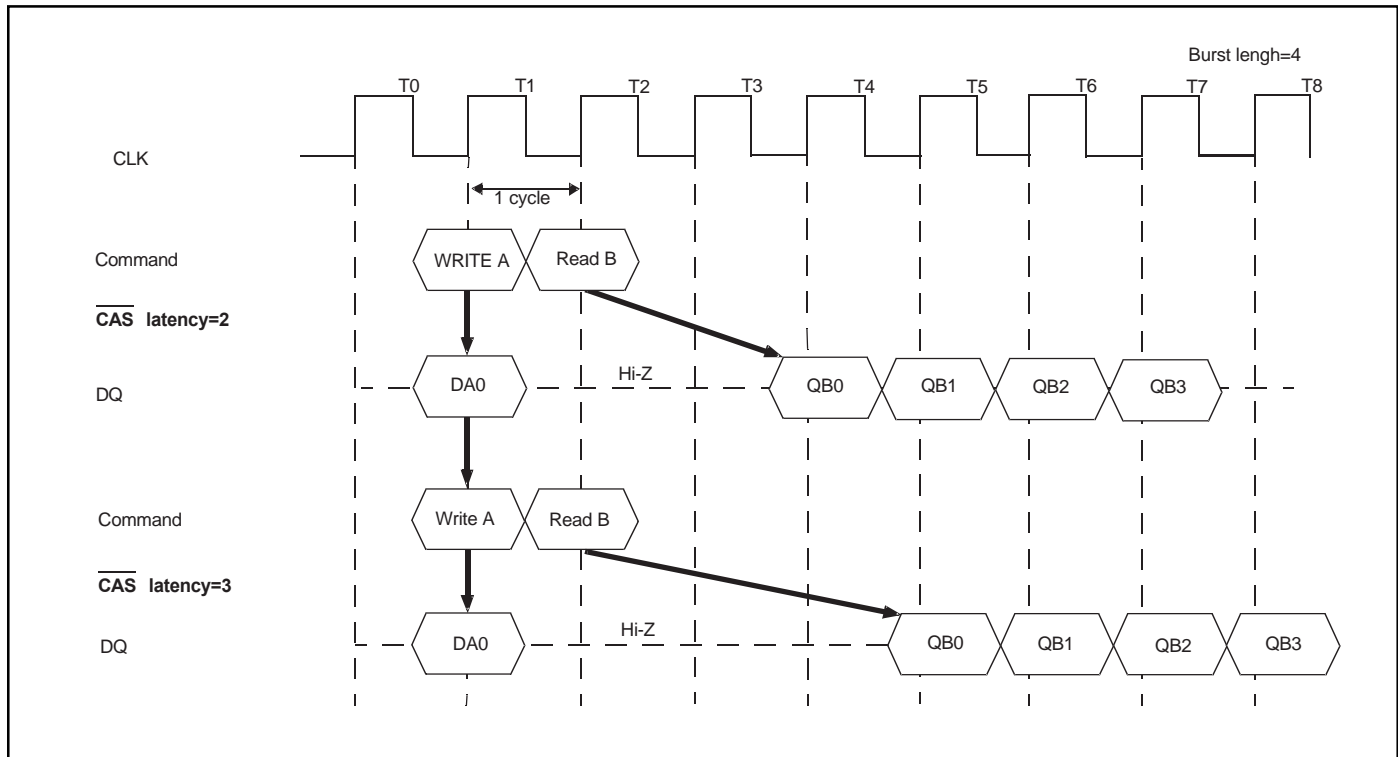
### WRITE to WRITE Command Interval



### Write to Read Command Interval

The write command to read command interval is also a minimum of 1 cycle. Only the write data before the read command will be written. The data bus must be Hi-Z at least one cycle prior to the first Dout.

### WRITE to READ Command Interval

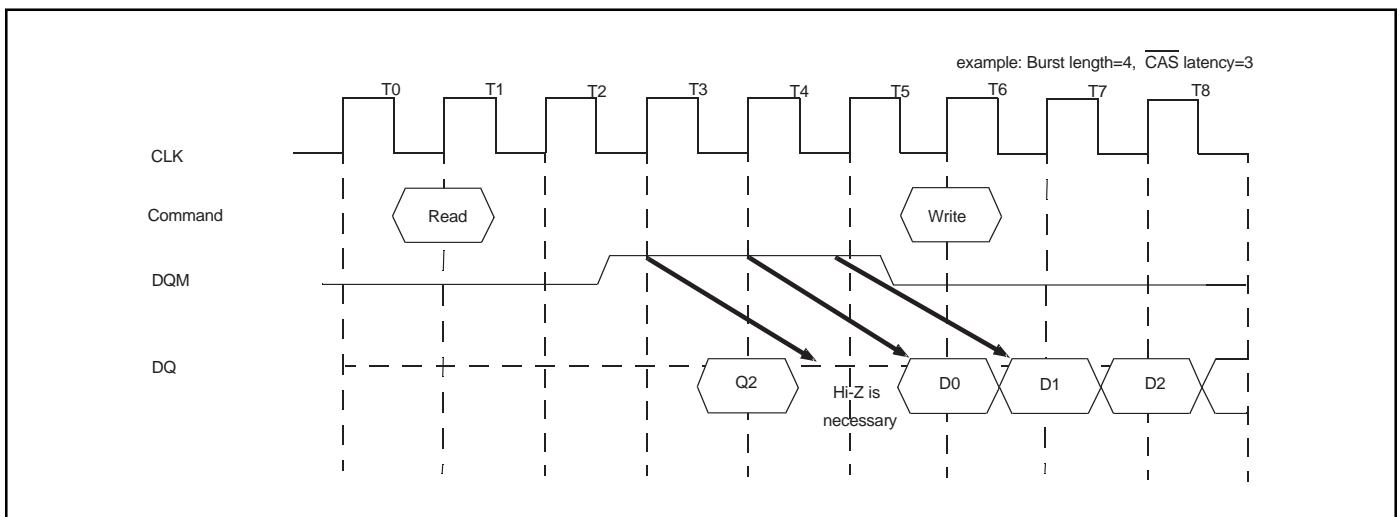
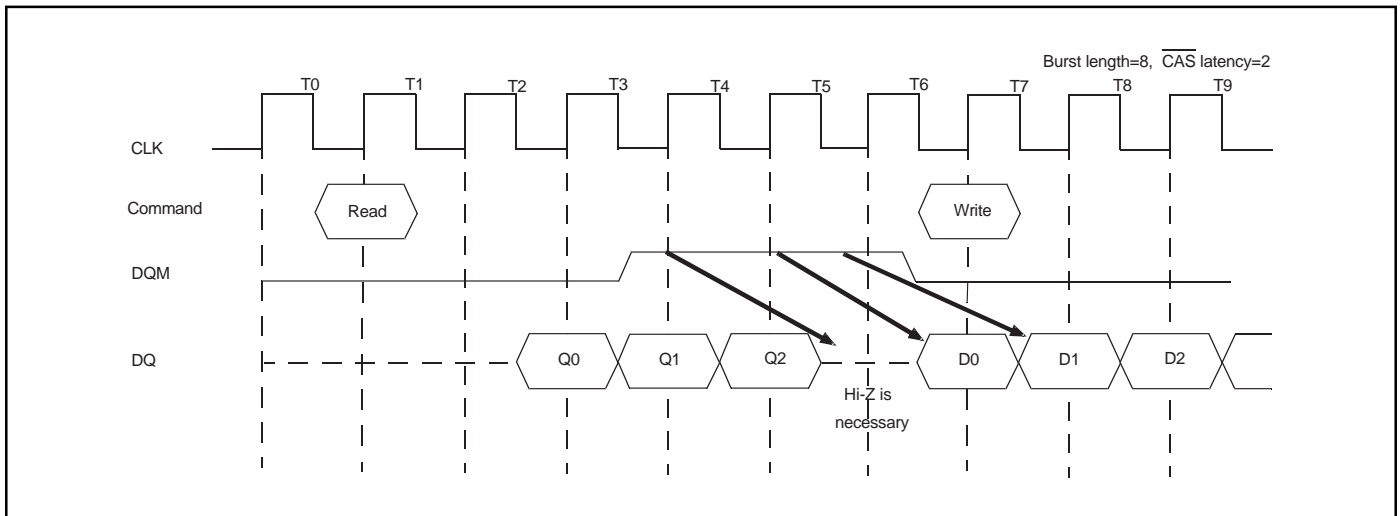
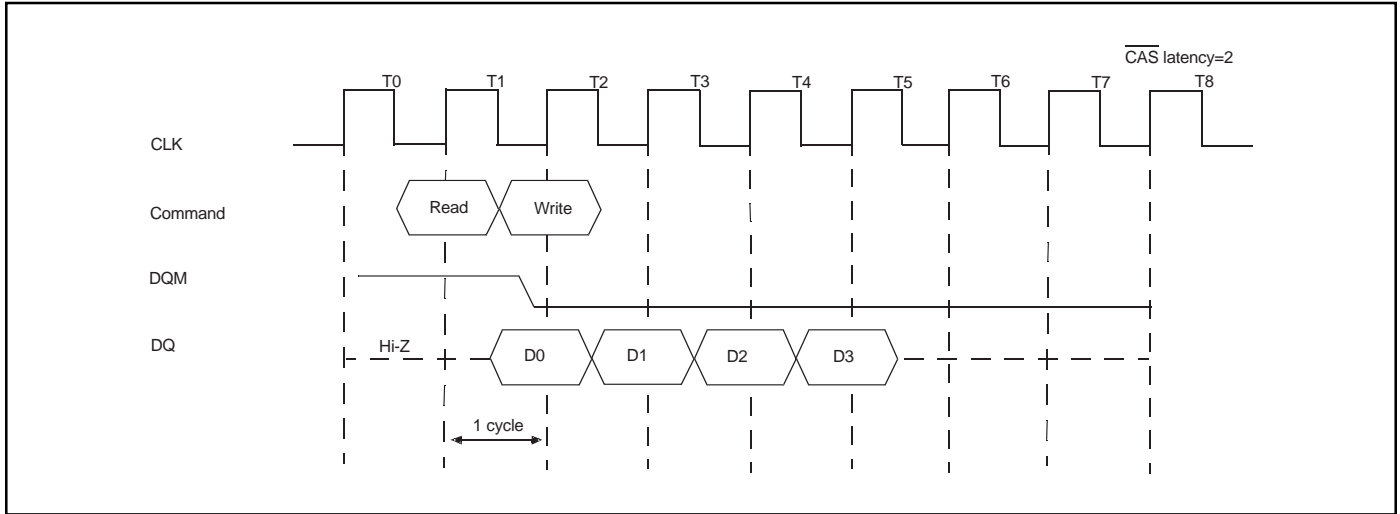


### Read to Write Command Interval

During a read cycle, READ can be interrupted by WRITE. DQM must be in High at least 3 clocks prior to the write command. There is a restriction to avoid a data conflict. The data bus must be Hi-Z using DQM before Write.



**READ to WRITE Command Interval**



### BURST Termination

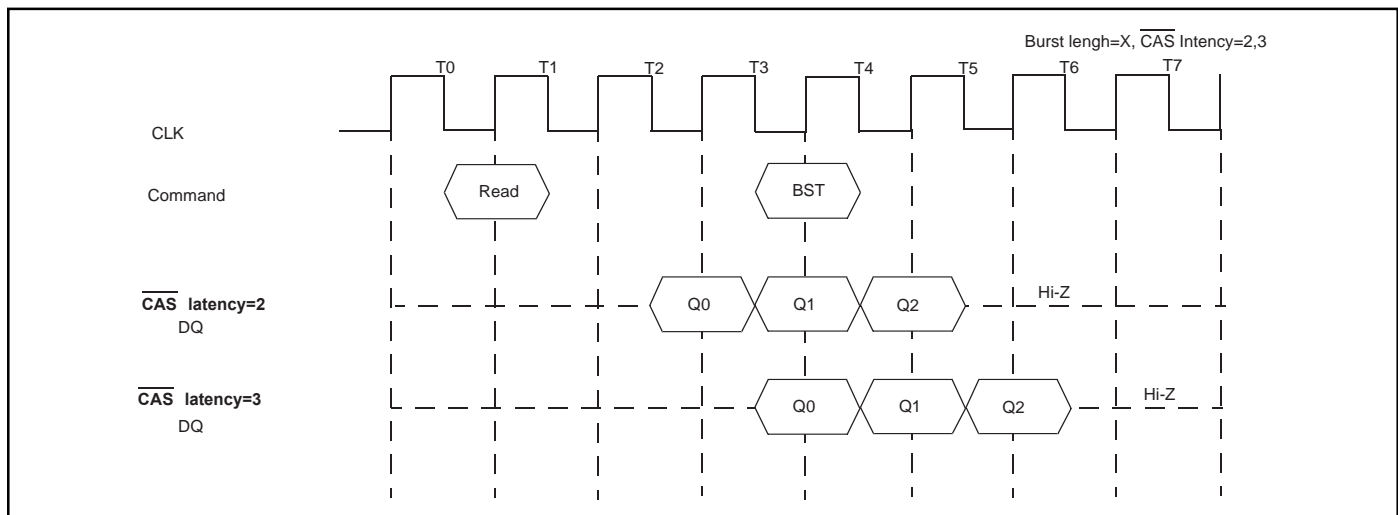
There are two methods to terminate a burst operation other than using a read or a write command. One is the burst stop command and the other is the precharge command.

### BURST Stop Command

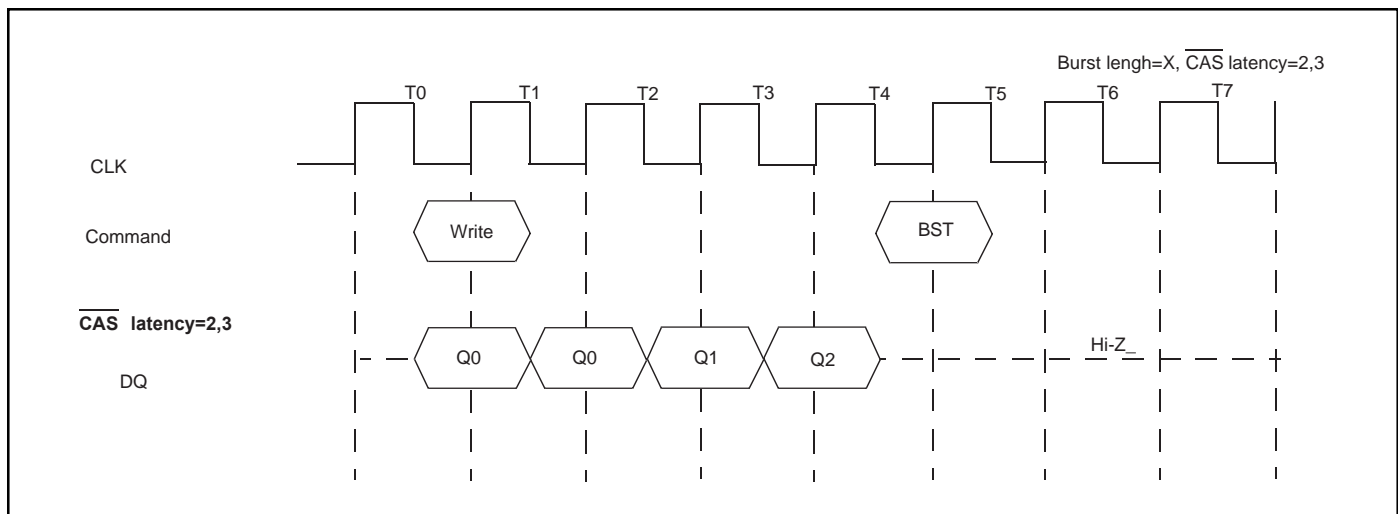
During a read burst, when the burst stop command is issued, the burst read data are terminated and the data bus goes to high-impedance after the  $\overline{\text{CAS}}$  latency from the burst stop command.

During a write burst, when the burst stop command is issued, the burst write data are terminated and data bus goes to Hi-Z at the same clock with the burst stop command.

### Burst Termination



**Remark** BST: Burst stop command



**Remark** BST: Burst command

## PRECHARGE TERMINATION

### PRECHARGE TERMINATION in READ Cycle

During READ cycle, the burst read operation is terminated by a precharge command.

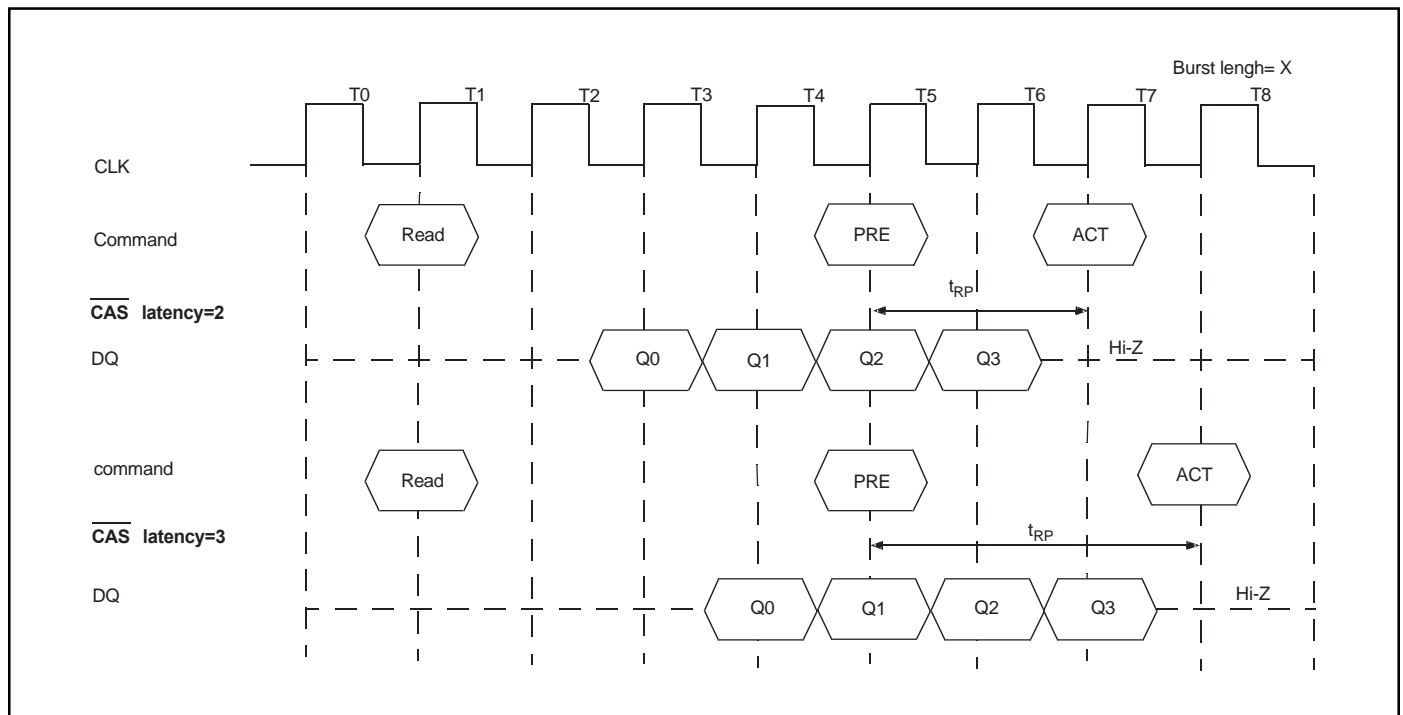
When the precharge command is issued, the burst read operation is terminated and precharge starts.

The same bank can be activated again after  $t_{RP}$  from the precharge command.

When  $\overline{\text{CAS}}$  latency is 2, the read data will remain valid until one clock after the precharge command.

When  $\overline{\text{CAS}}$  latency is 3, the read data will remain valid until two clocks after the precharge command.

### Precharge Termination in READ Cycle



### Precharge Termination in WRITE Cycle

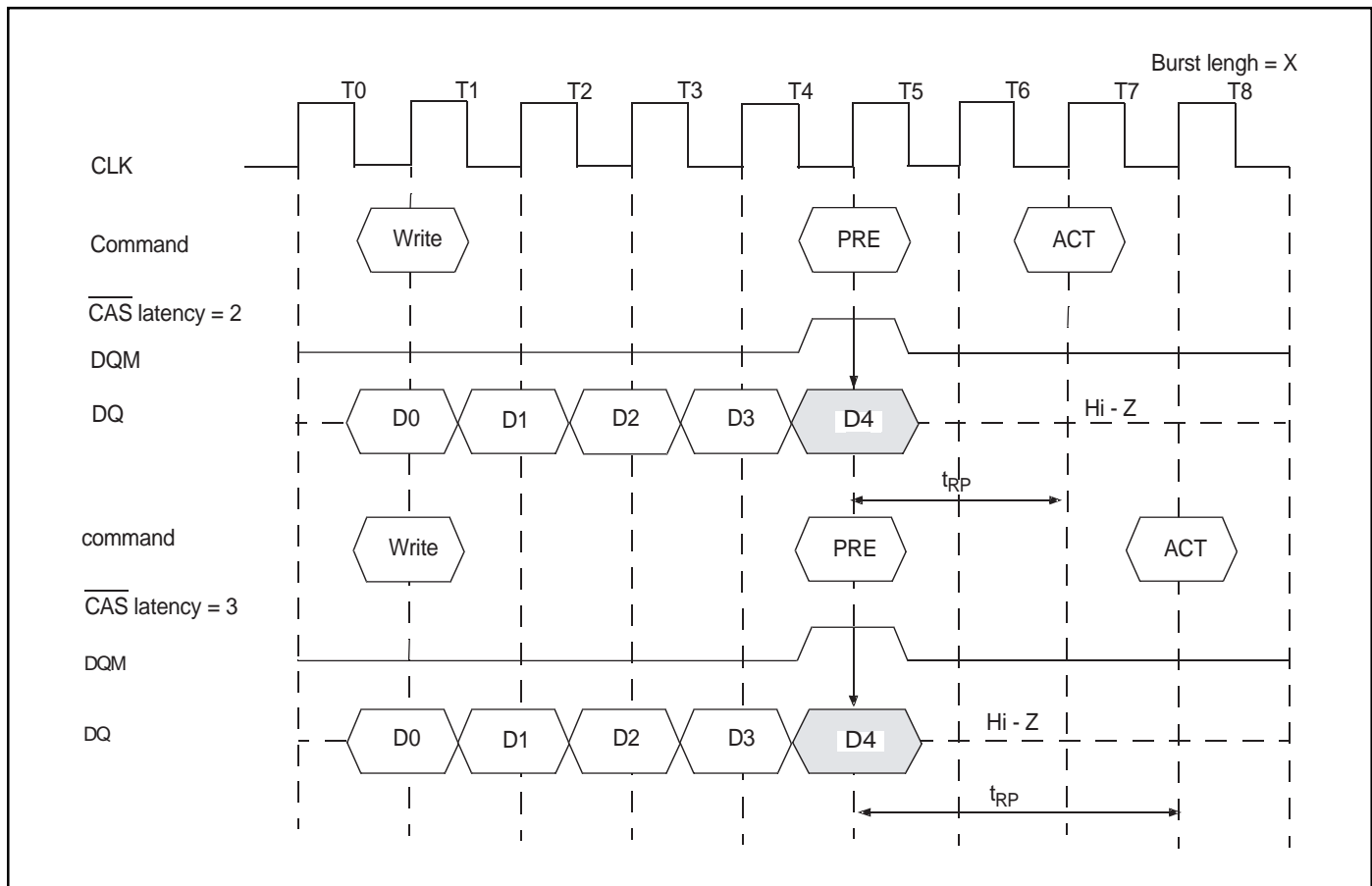
During WRITE cycle, the burst write operation is terminated by a precharge command.

When the precharge command is issued, the burst write operation is terminated and precharge starts.

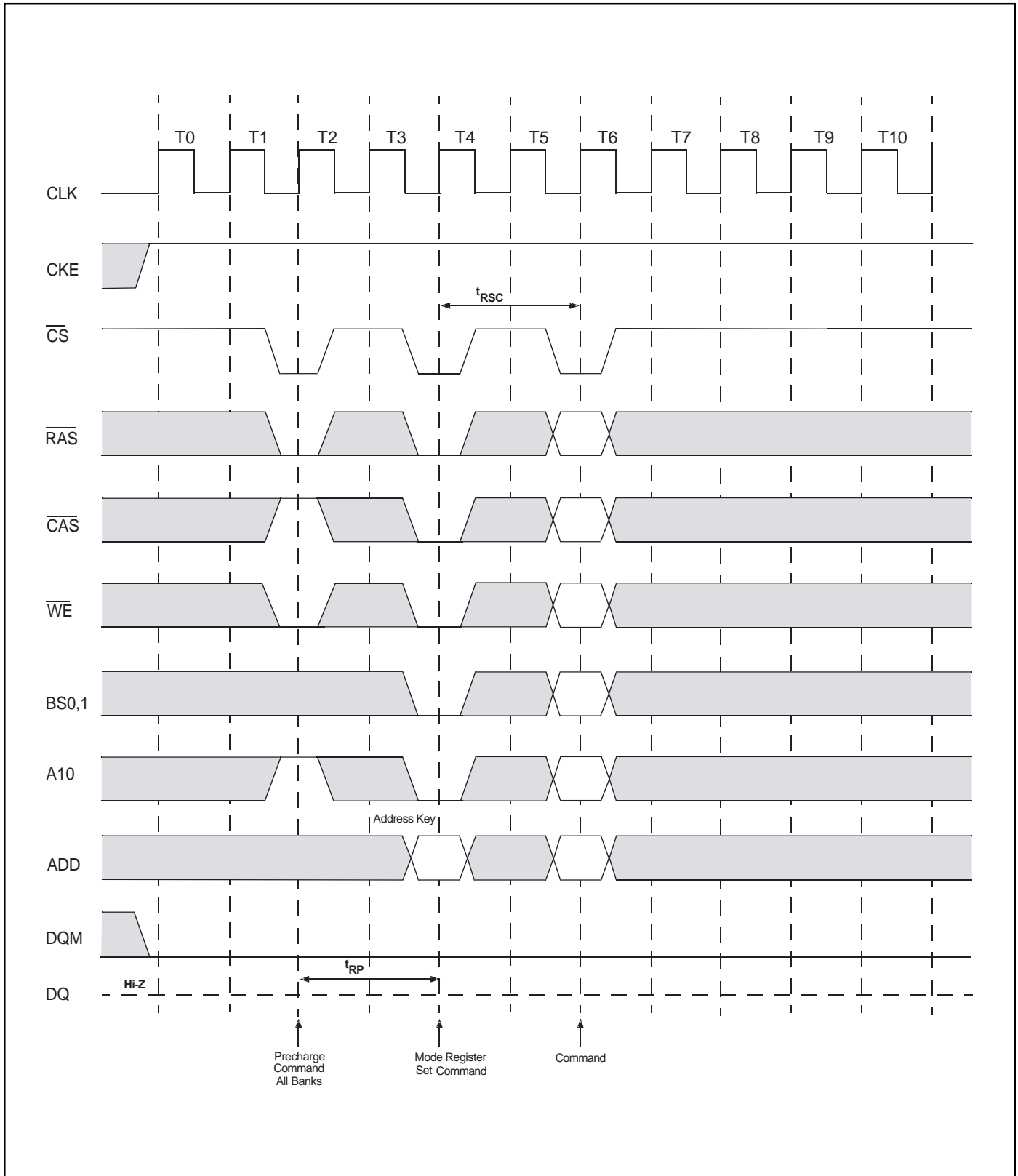
The same bank can be activated again after  $t_{RP}$  from the precharge command. The DQM must be high to mask invalid data in.

During WRITE cycle, the write data written prior to the precharge command will be correctly stored. However, invalid data may be written at the same clock as the precharge command. To prevent this from happening, DQM must be high at the same clock as the precharge command. This will mask the invalid data.

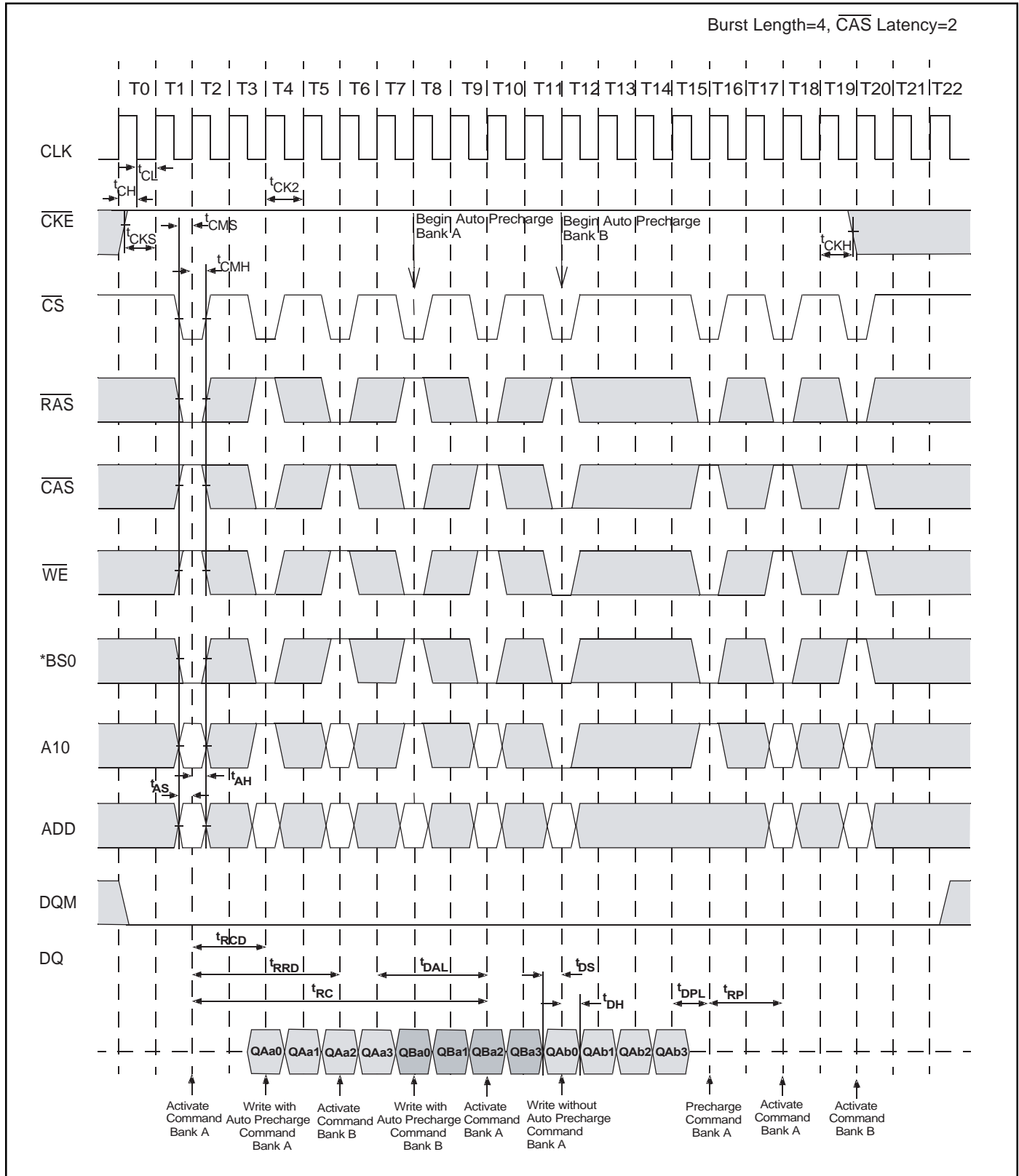
### PRECHARGE TERMINATION in WRITE Cycle



Mode Register Set

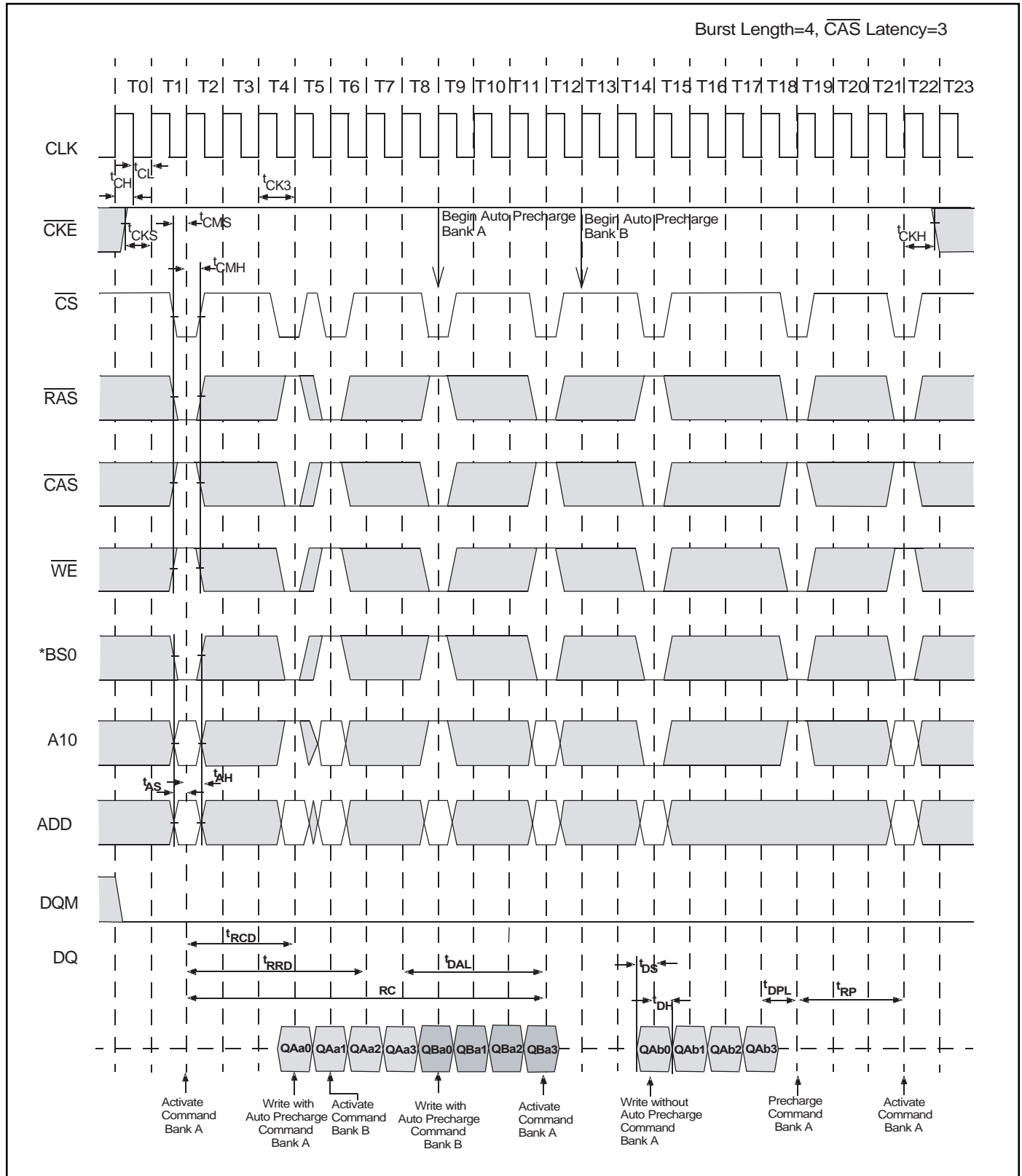


AC Parameters for Write Timing (1 of 2)



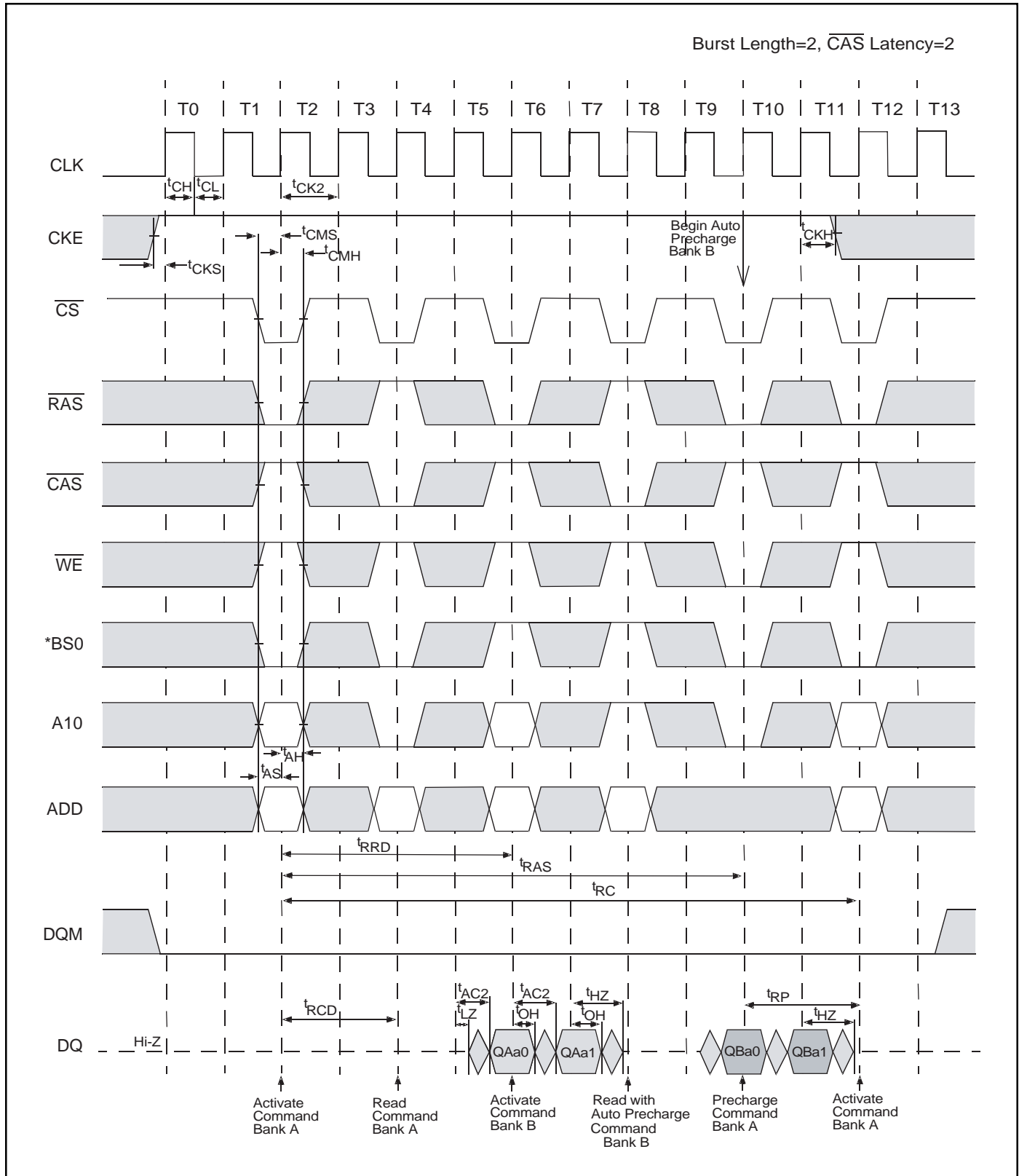
BS1="L", Bank C,D = Idle

AC Parameters for Write Timing (2 of 2)



BS1="L", Bank C,D = Idle

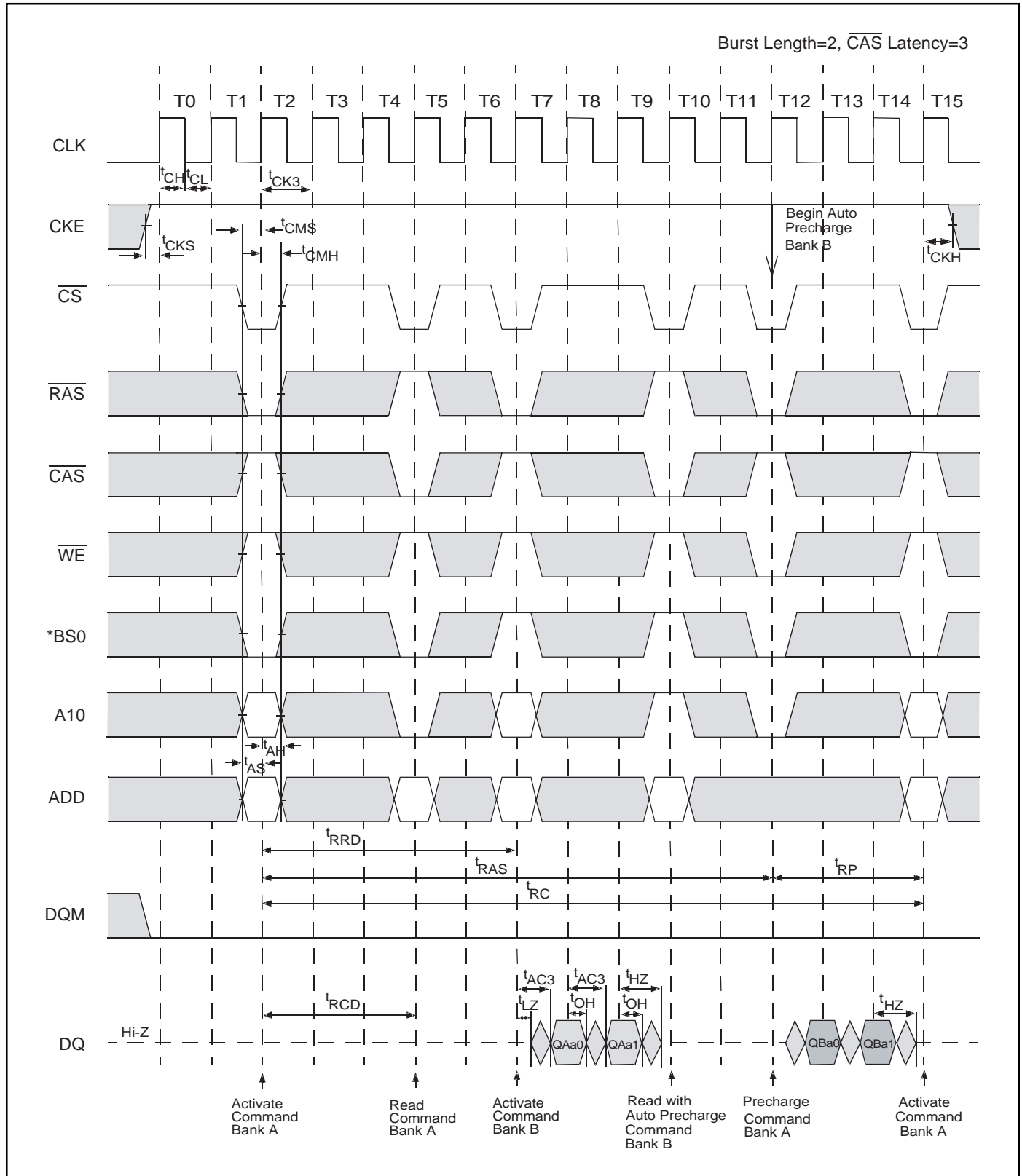
AC Parameters for Read Timing (1 of 2)



BS1="L", Bank C,D = Idle

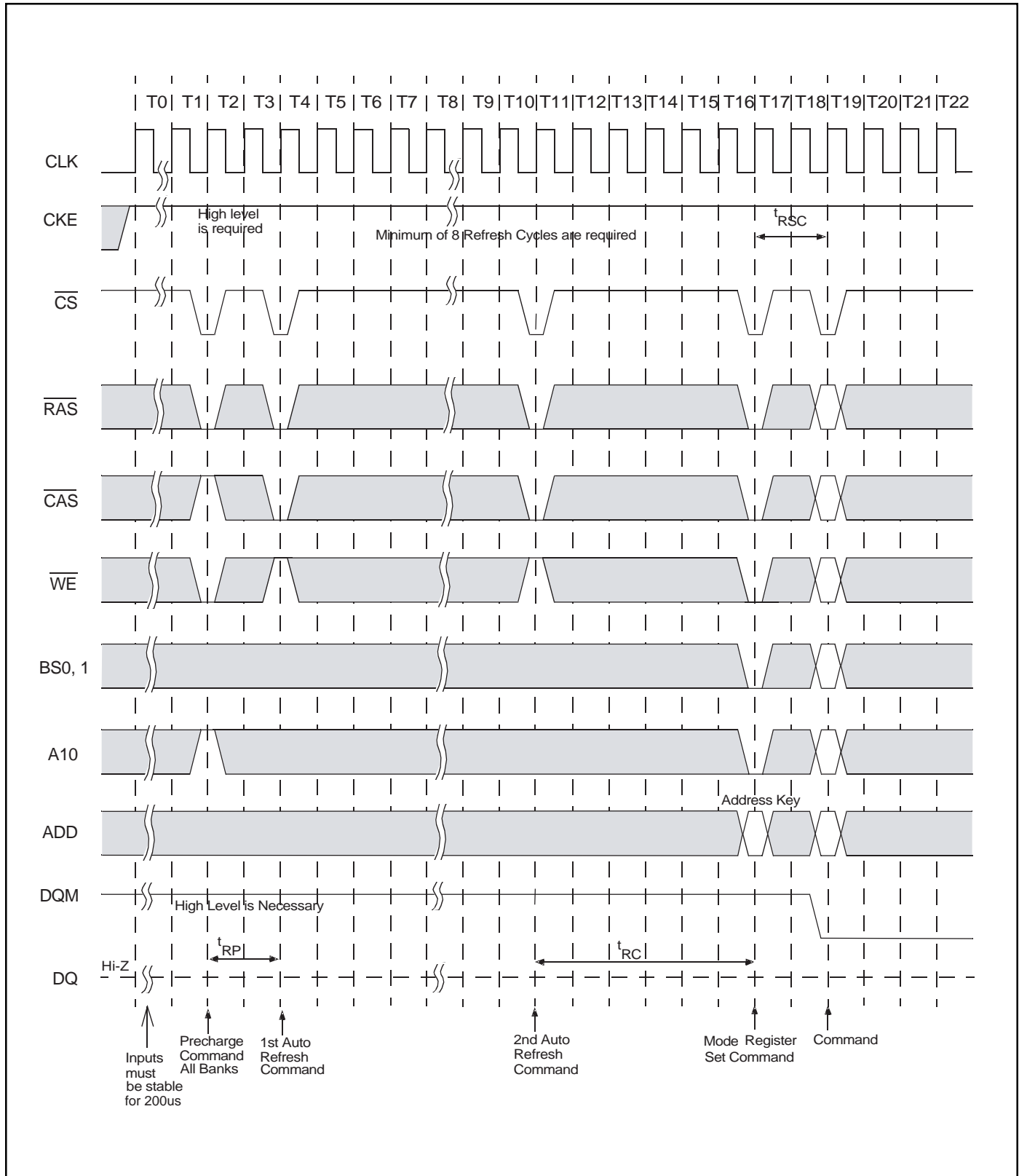


AC Parameters for Read Timing (2 of 2)

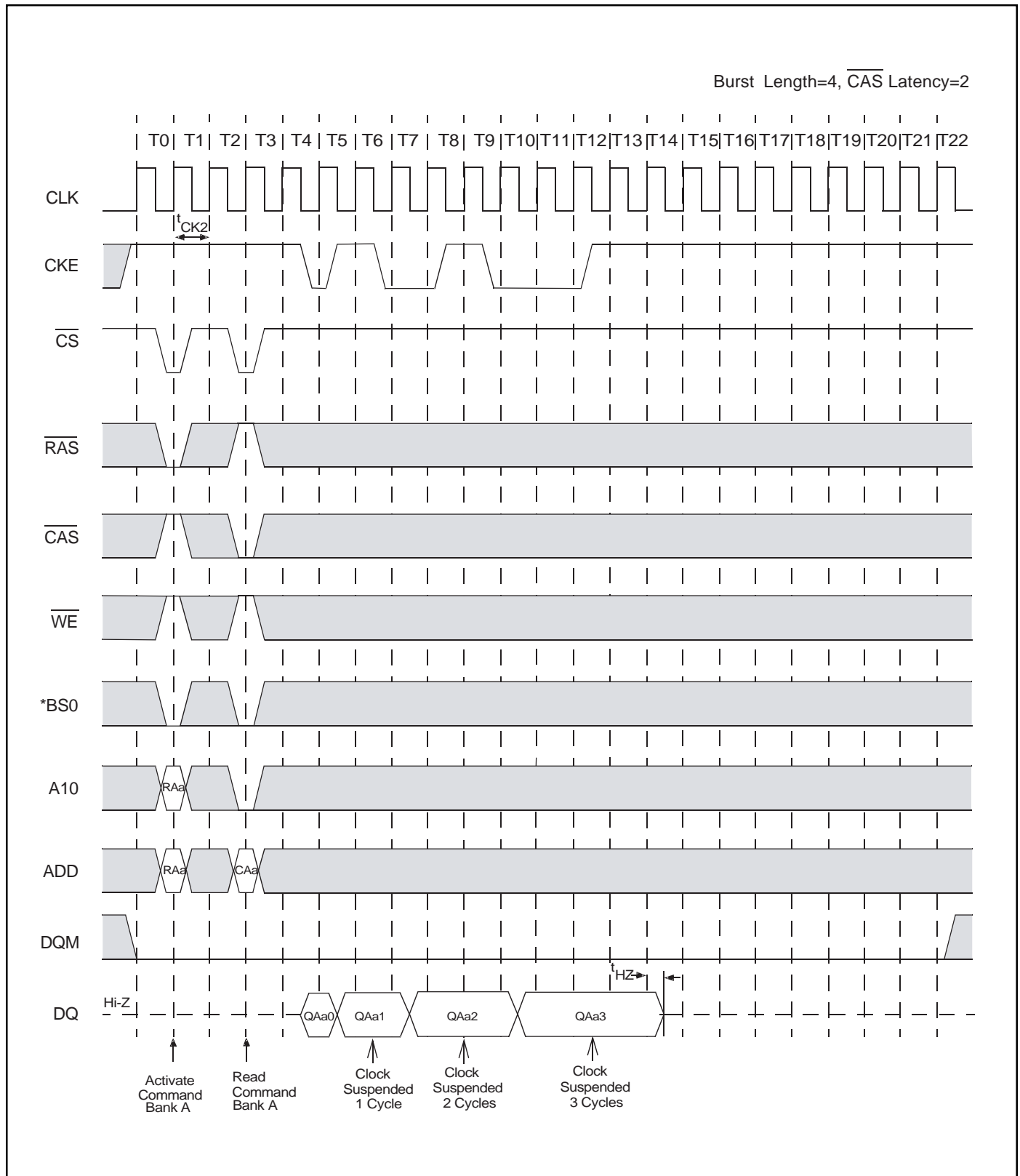


BS1="L", Bank C,D = Idle

**Power on Sequence and Auto Refresh (CBR)**

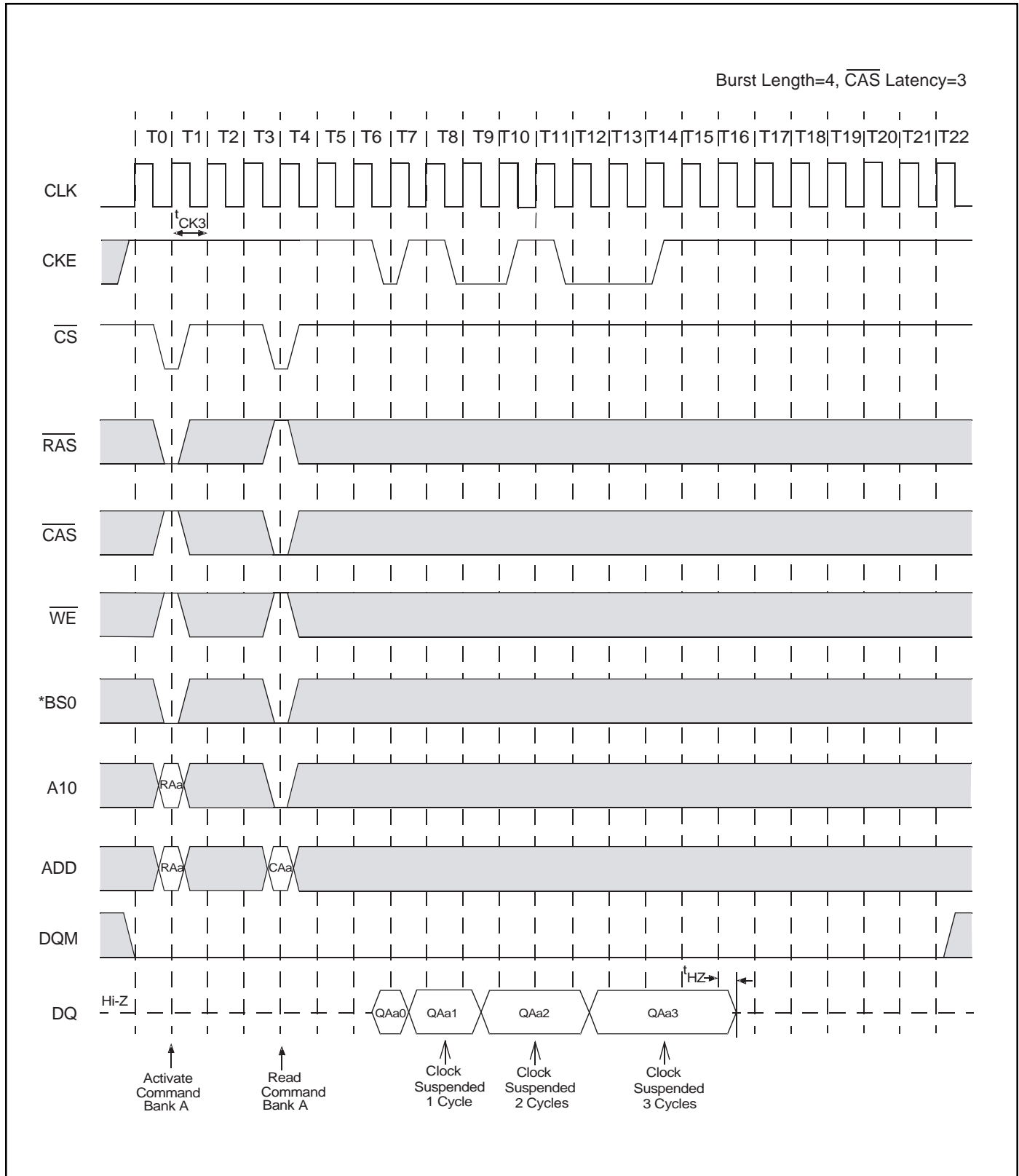


**Clock Suspension During Burst Read (Using CKE) (1 of 2)**



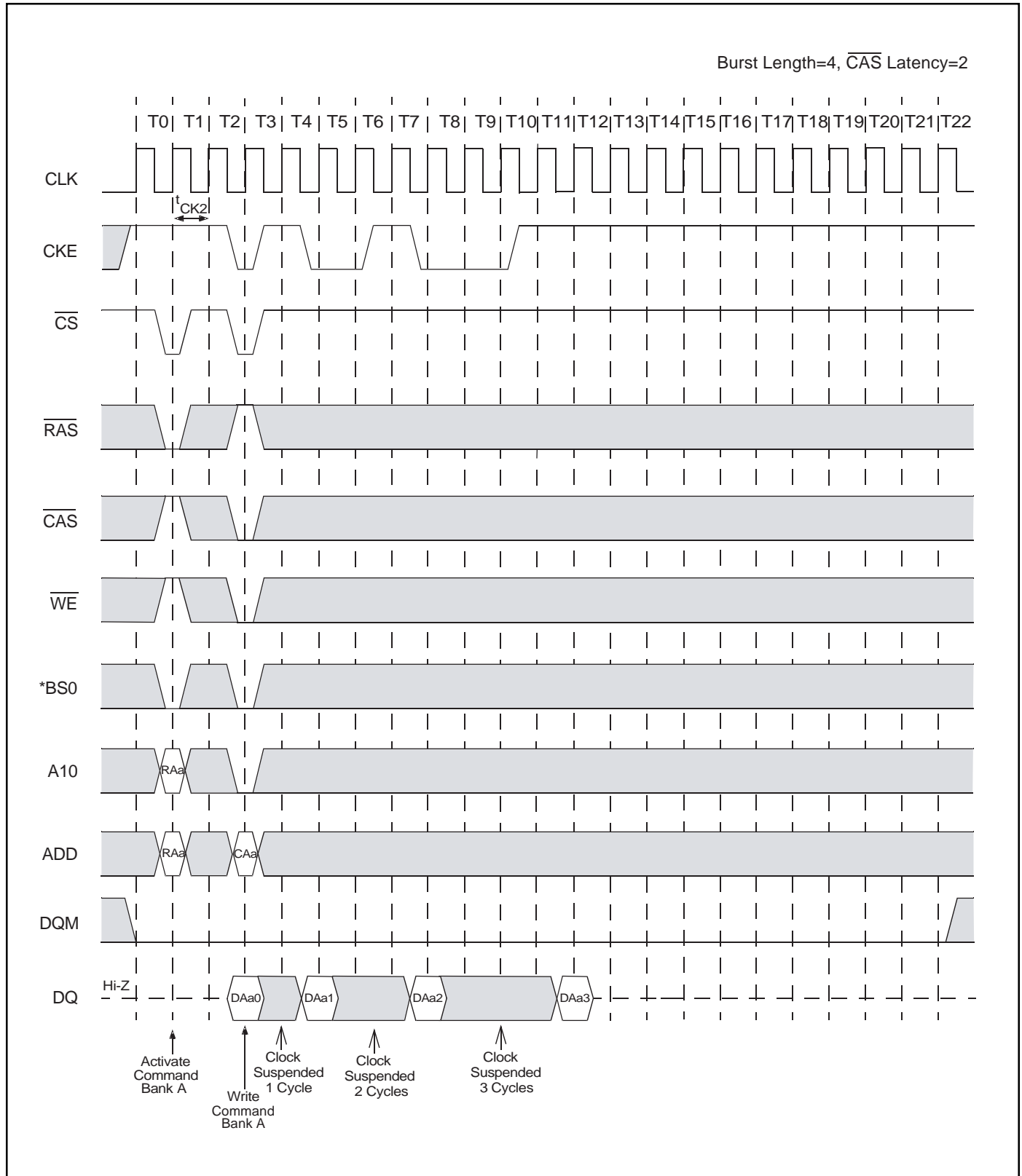
BS1="L", Bank C,D = Idle

**Clock Suspension During Burst Read (Using CKE) (2 of 2)**



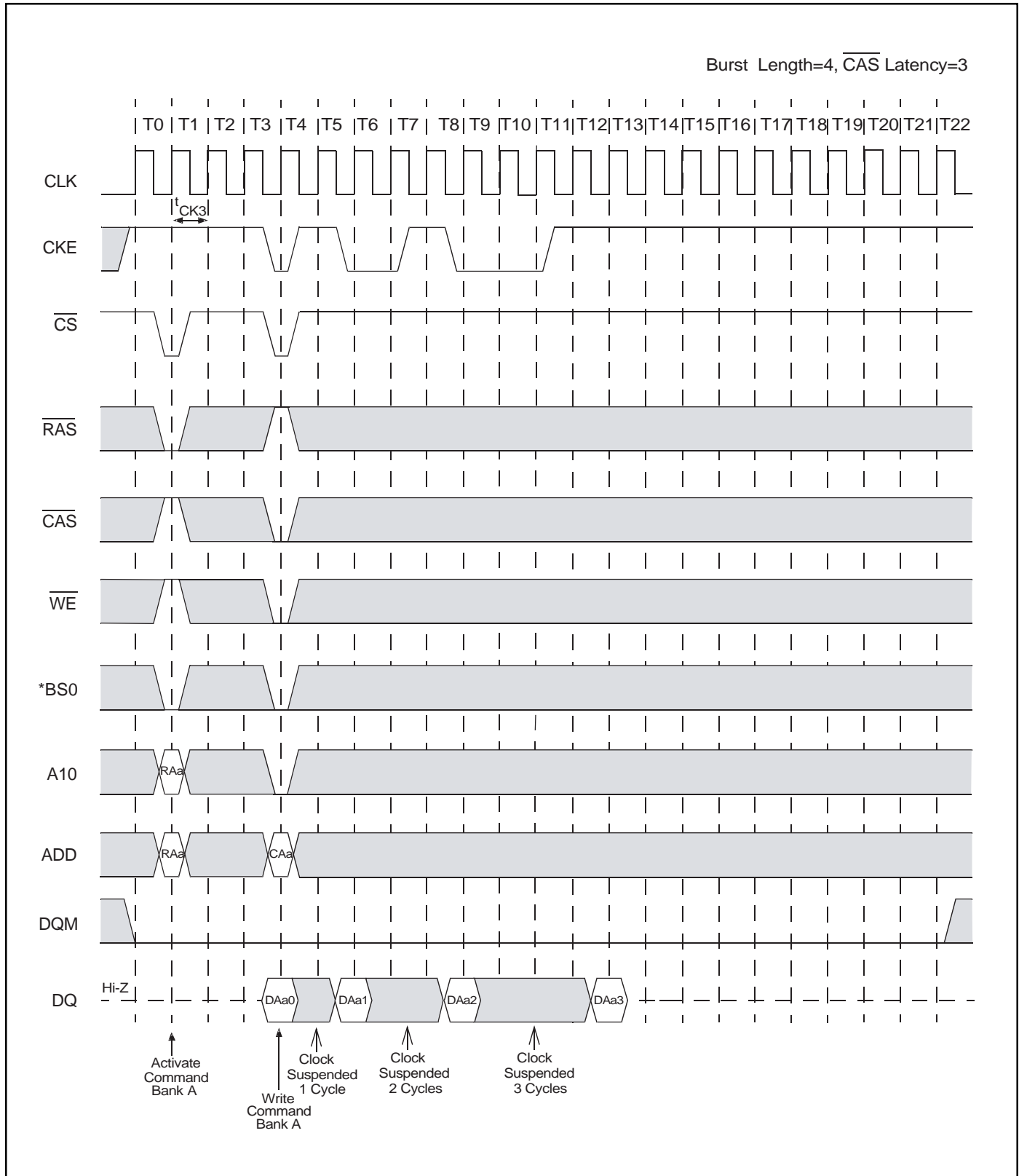
BS1="L", Bank C,D = Idle

**Clock Suspension During Burst Write (Using CKE) (1 of 2)**



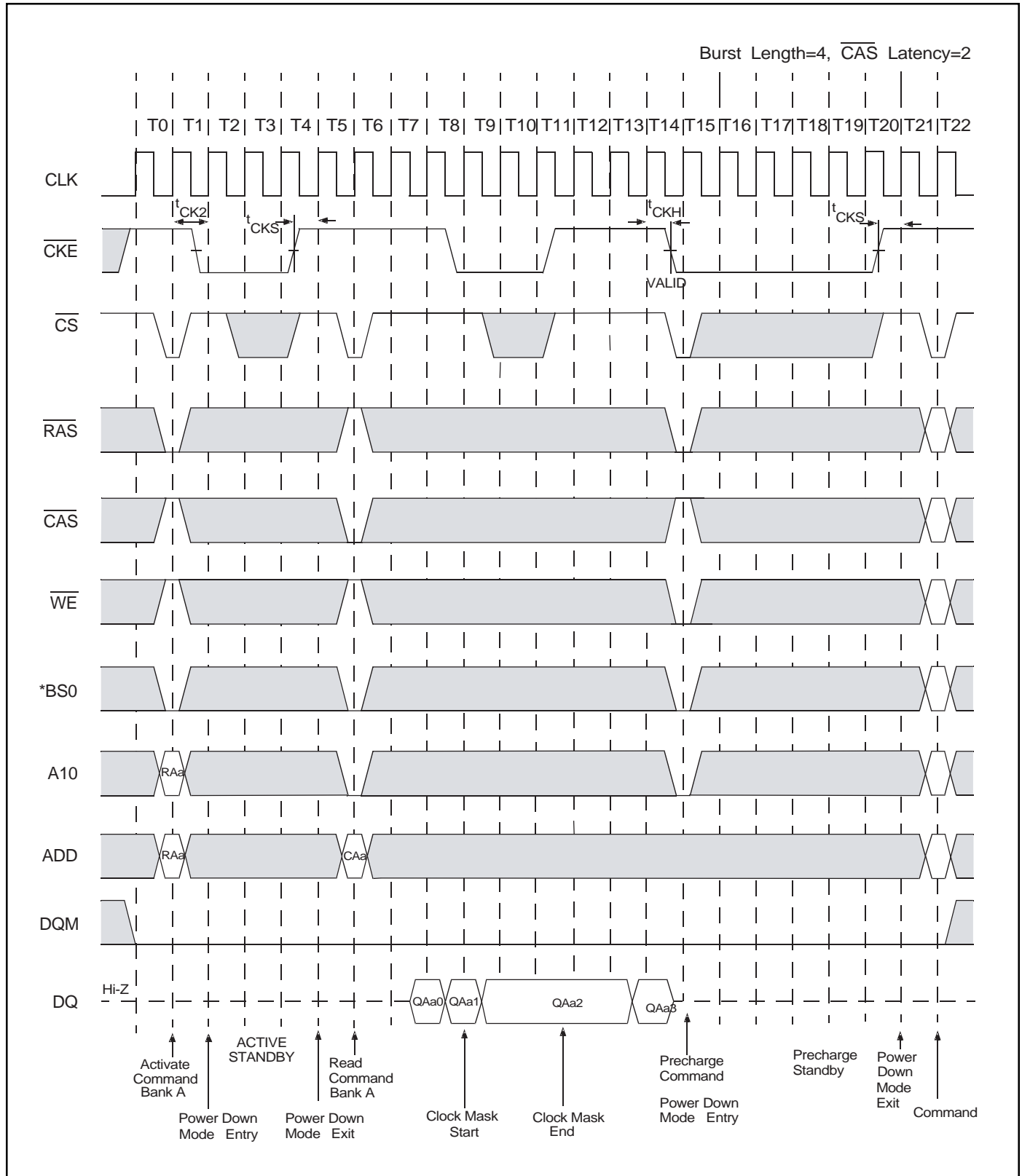
BS1="L", Bank C,D = Idle

**Clock Suspension During Burst Write (Using CKE) (2 of 2)**



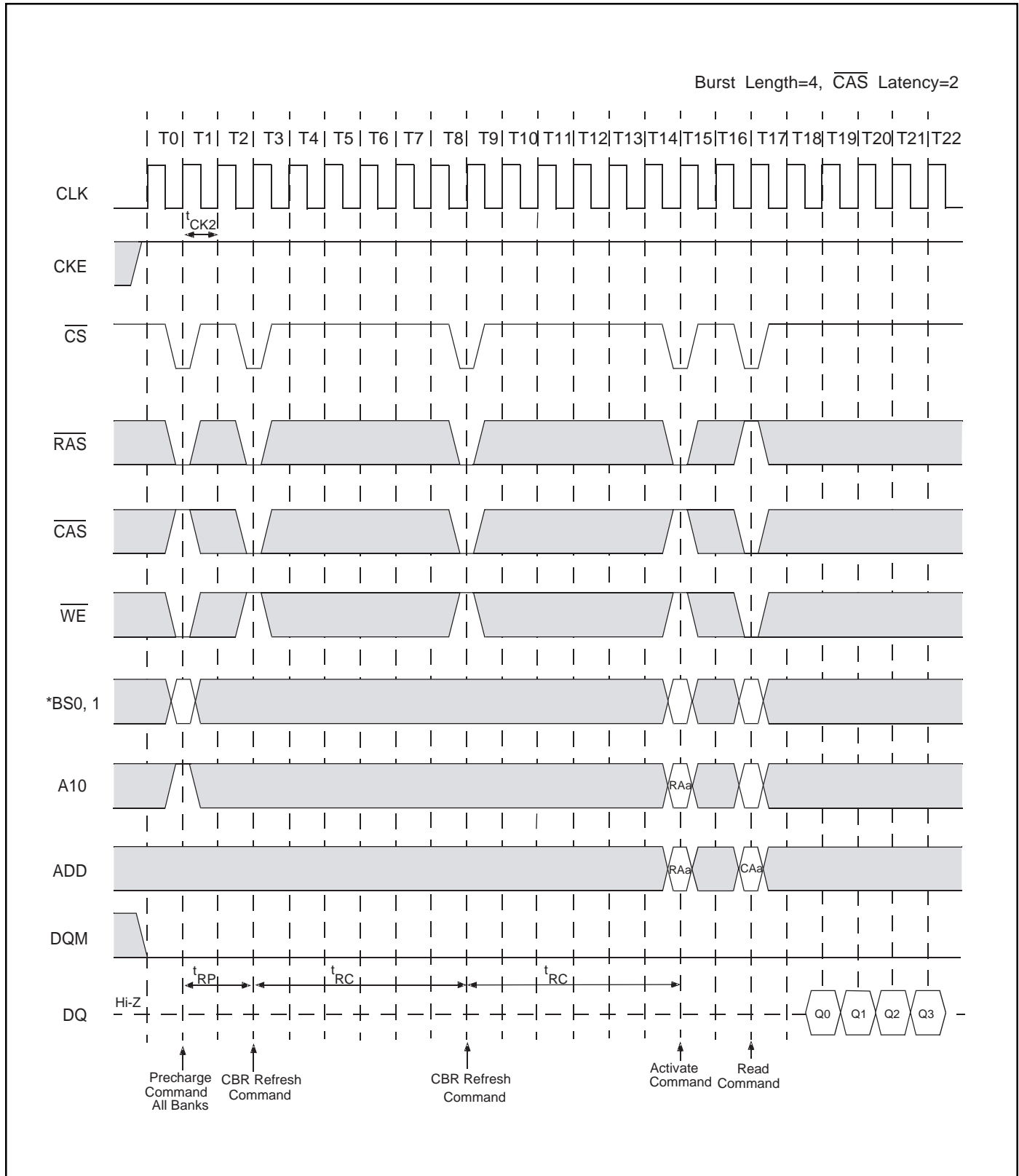
BS1="L", Bank C,D = Idle

**Power Down Mode and Clock Mask**



BS1="L", Bank C,D = Idle

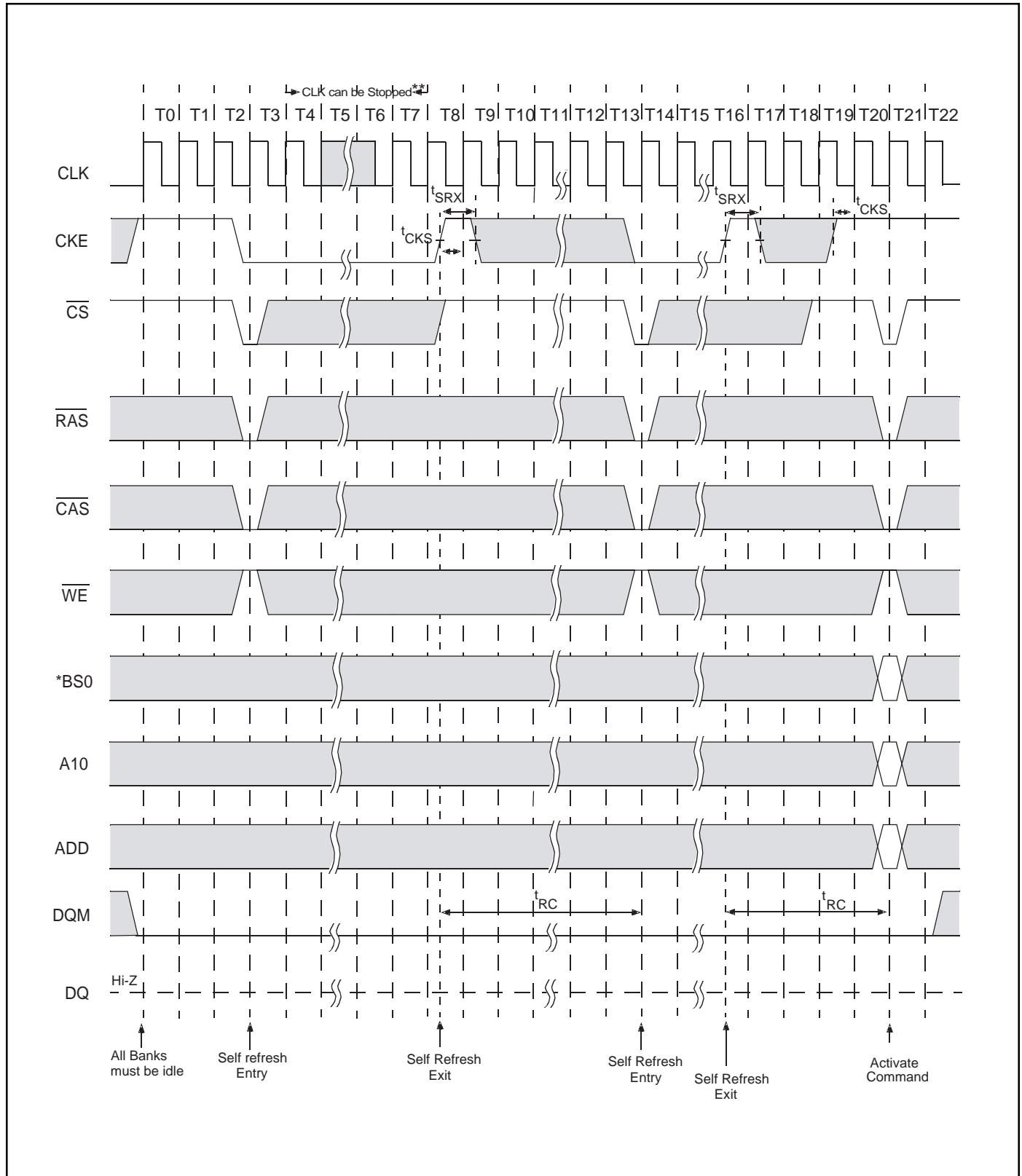
Auto Refresh (CBR)



BS1="L", Bank C,D = Idle



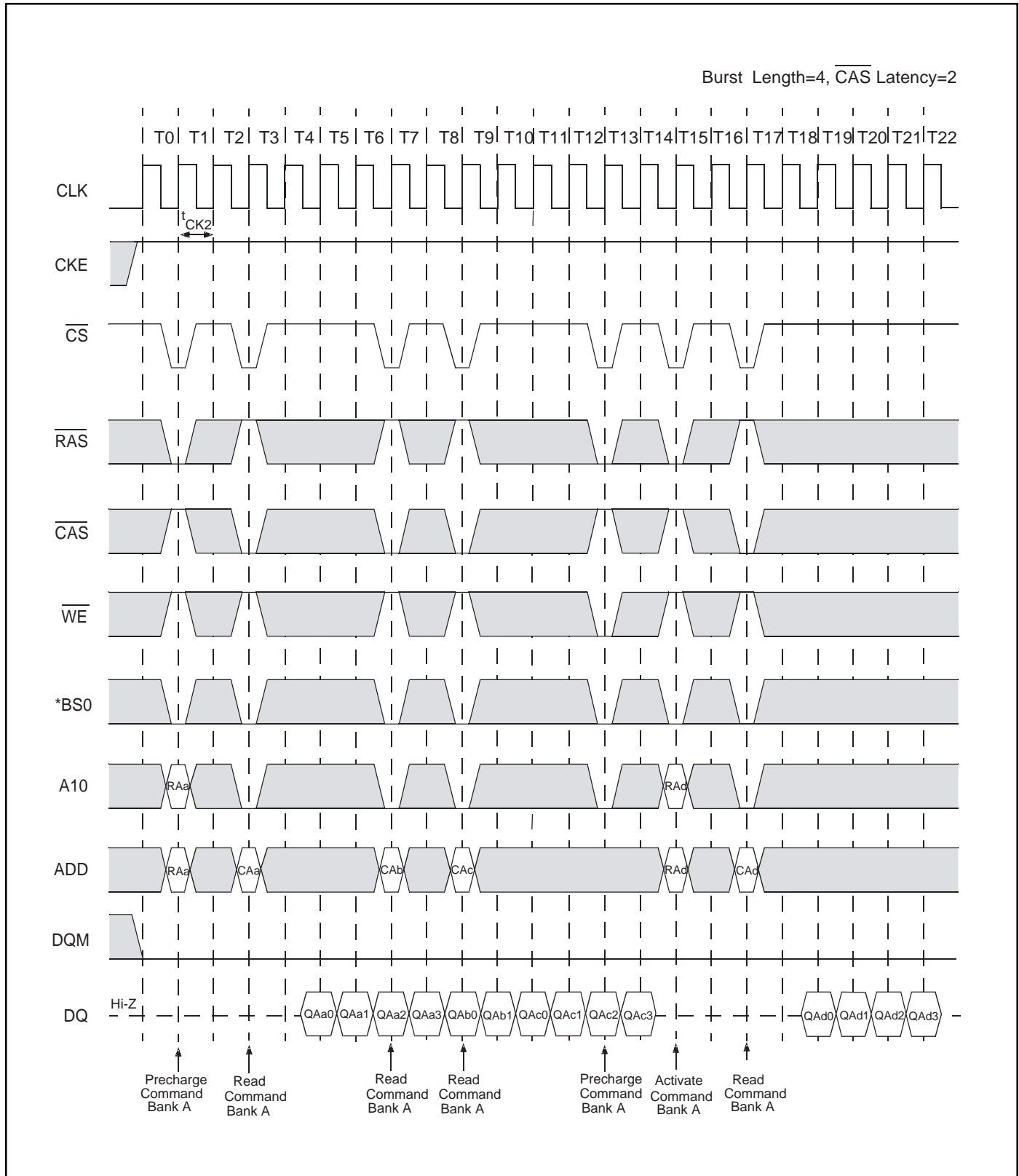
**Self Refresh (Entry and Exit)**



BS1="L", Bank C,D = Idle

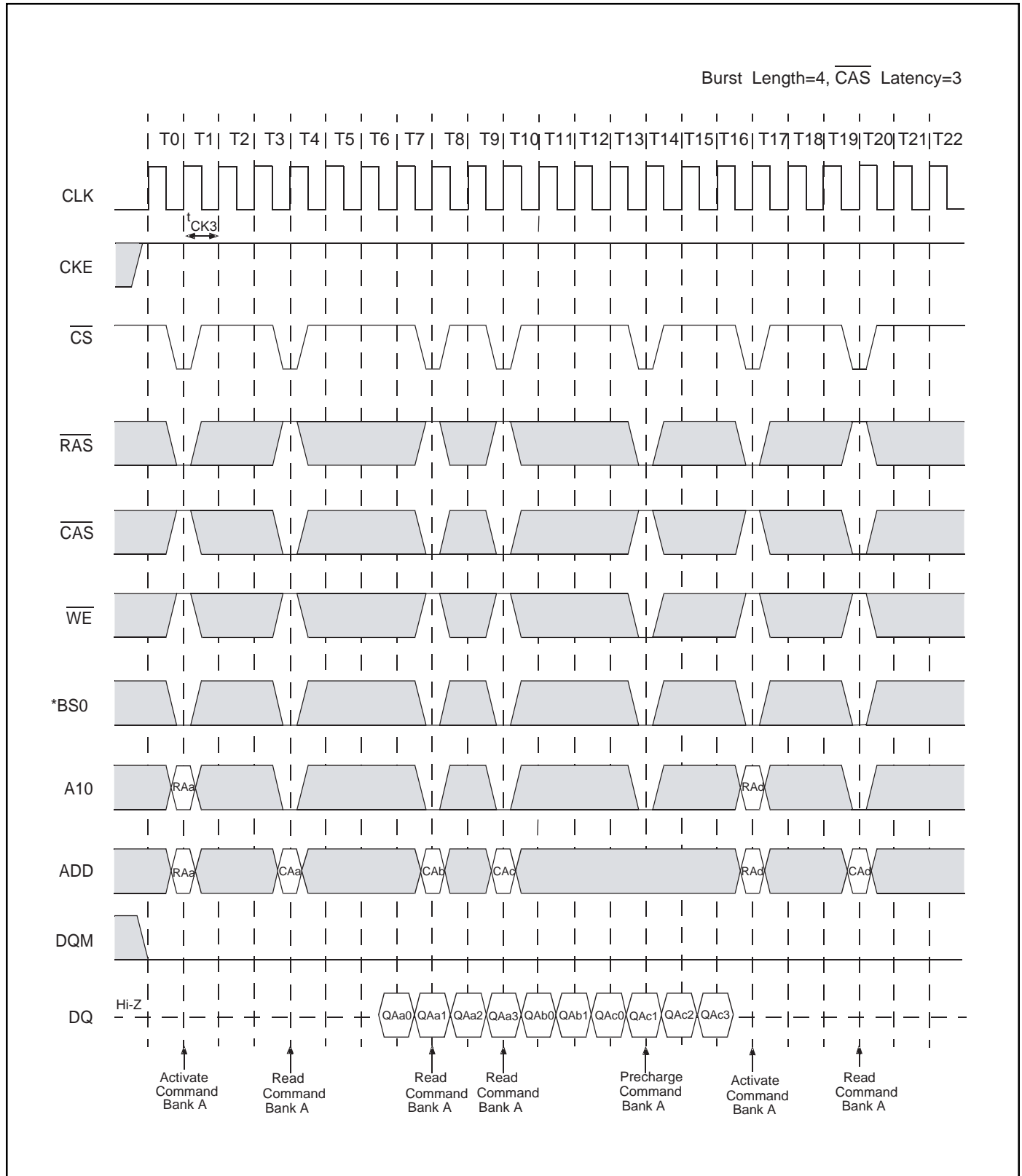
Clock can be stopped at CKE=Low. If clock is stopped, it must be restarted/stable for 4 clock cycles before CKE=High

Random Column Read (Page With Same Bank) (1 of 2)



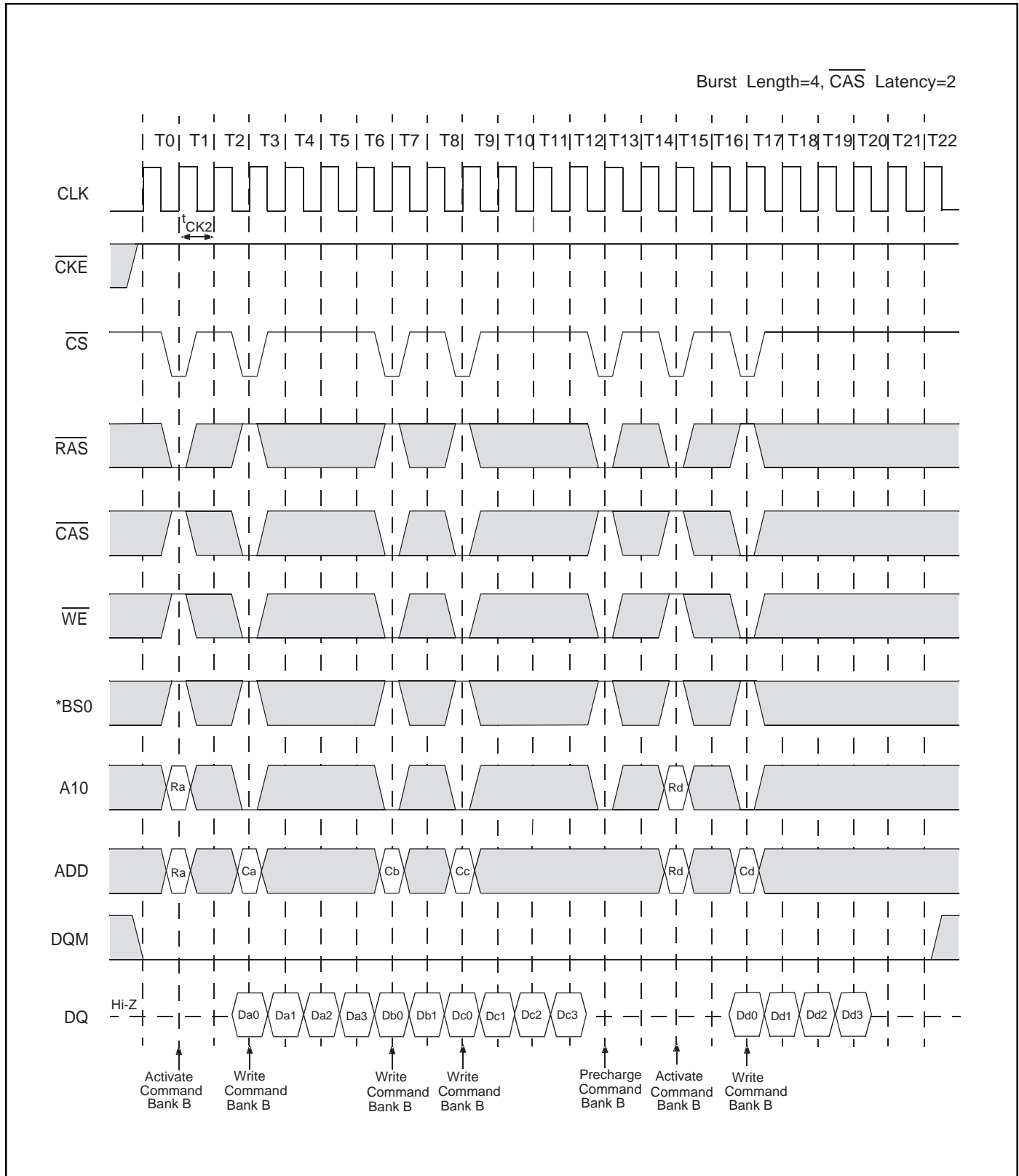
BS1="L", Bank C,D = Idle

Random Column Read (Page With Same Bank) (2 of 2)



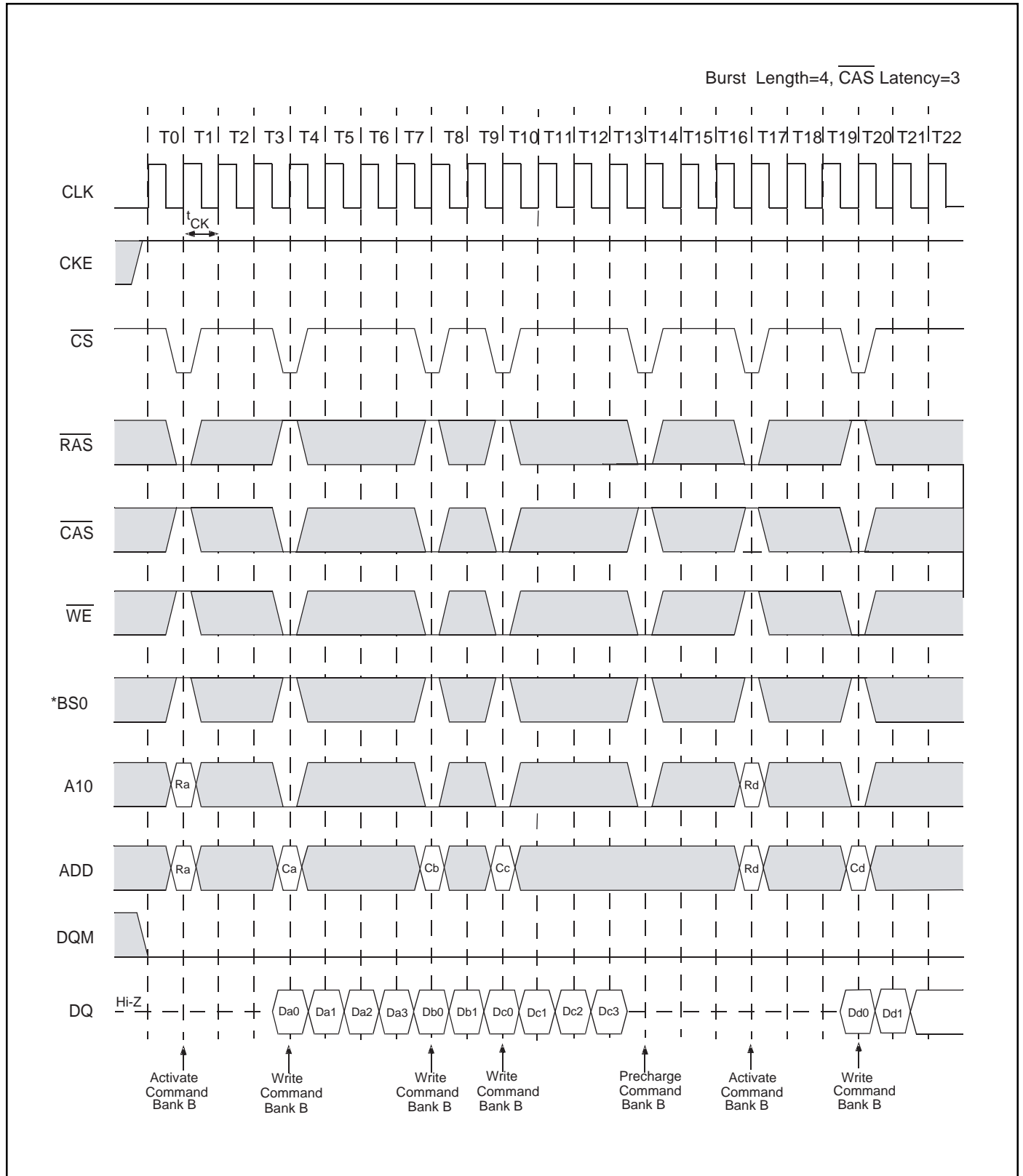
BS1="L", Bank C,D = Idle

Random Column Write (Page With Same Bank) (1 of 2)



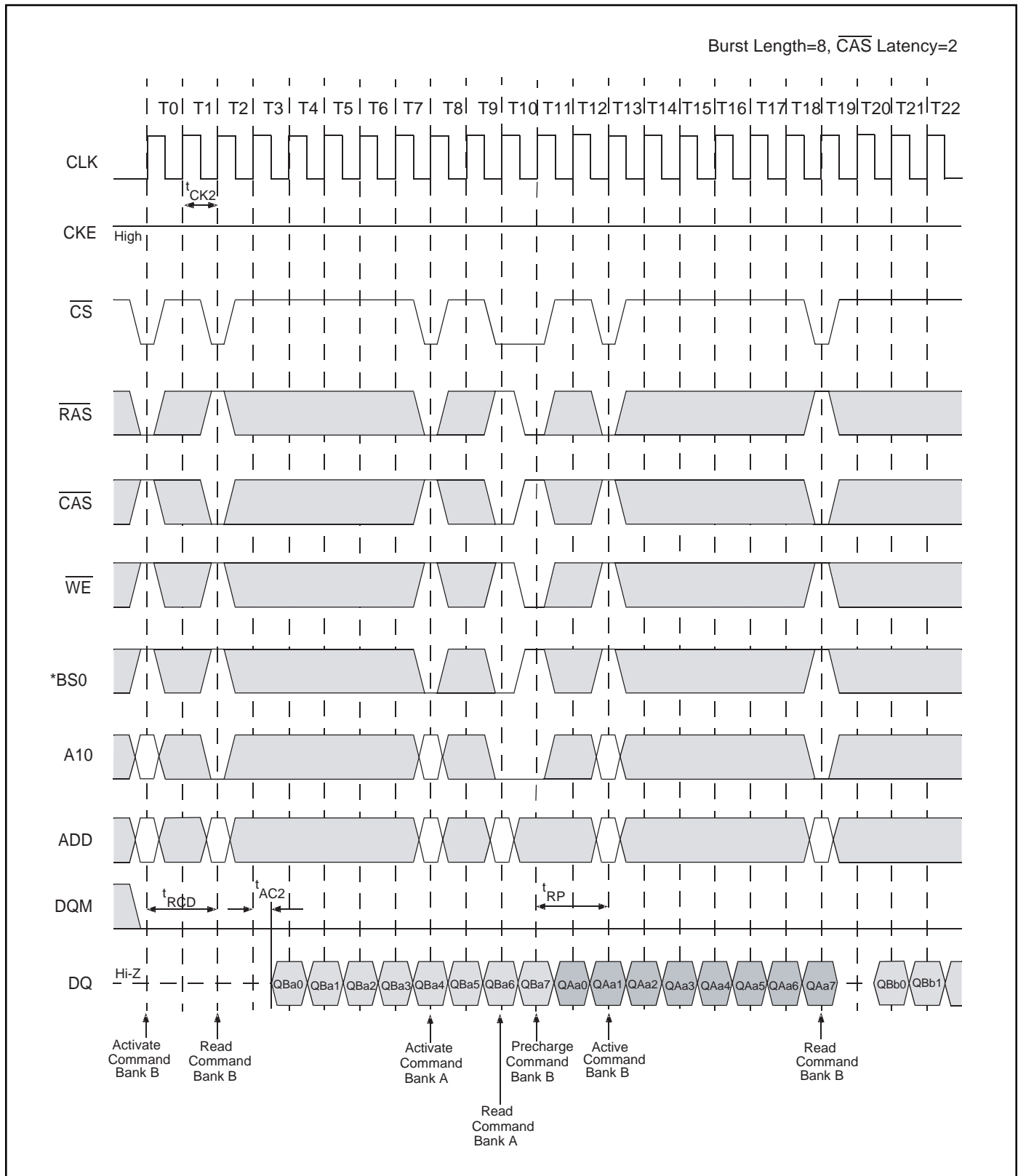
BS1="L", Bank C,D = Idle

Random Column Write (Page With Same Bank) (1 of 2)



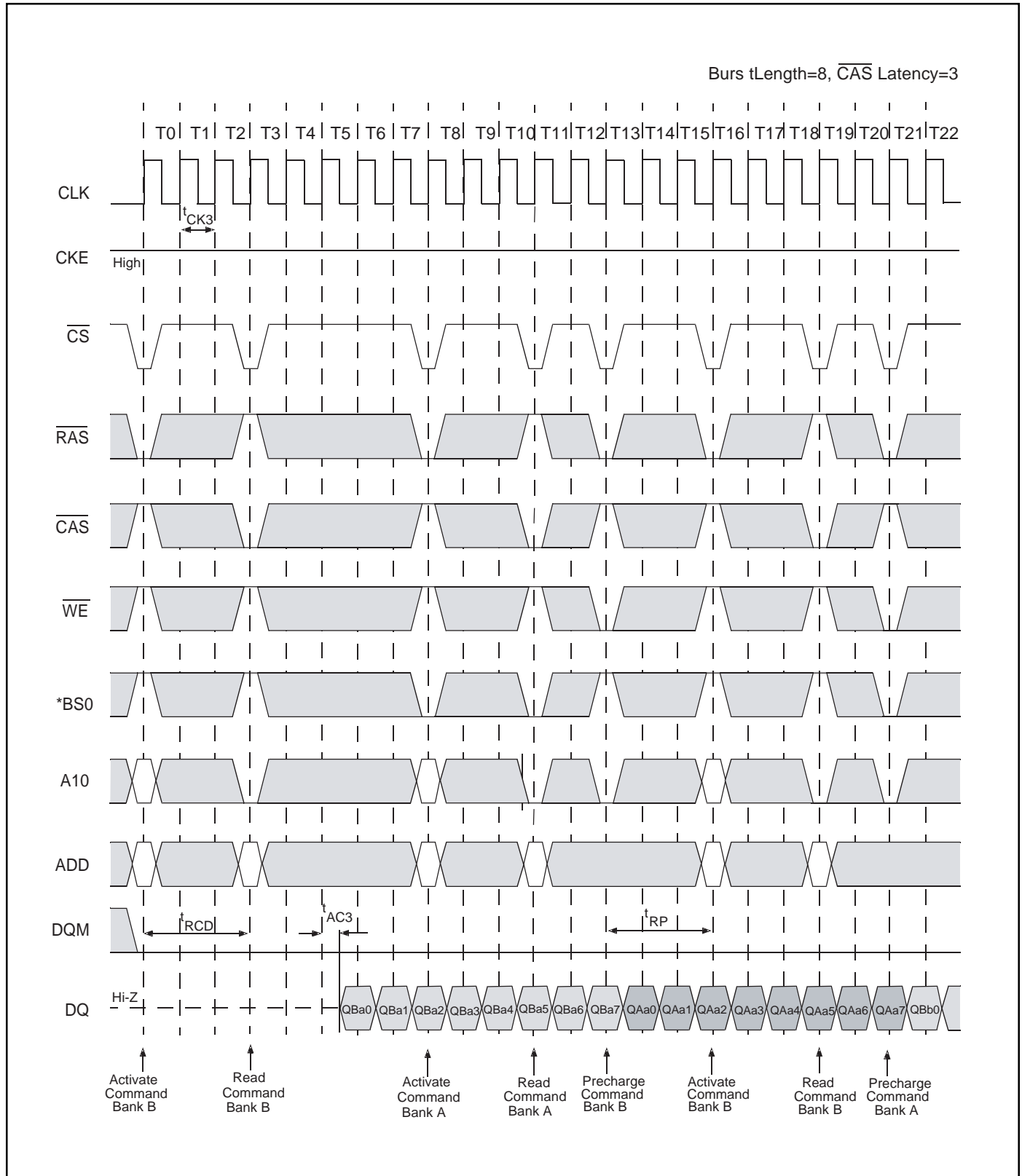
BS1="L", Bank C,D = Idle

Random Row Read (Interleaving Banks) (1 of 2)



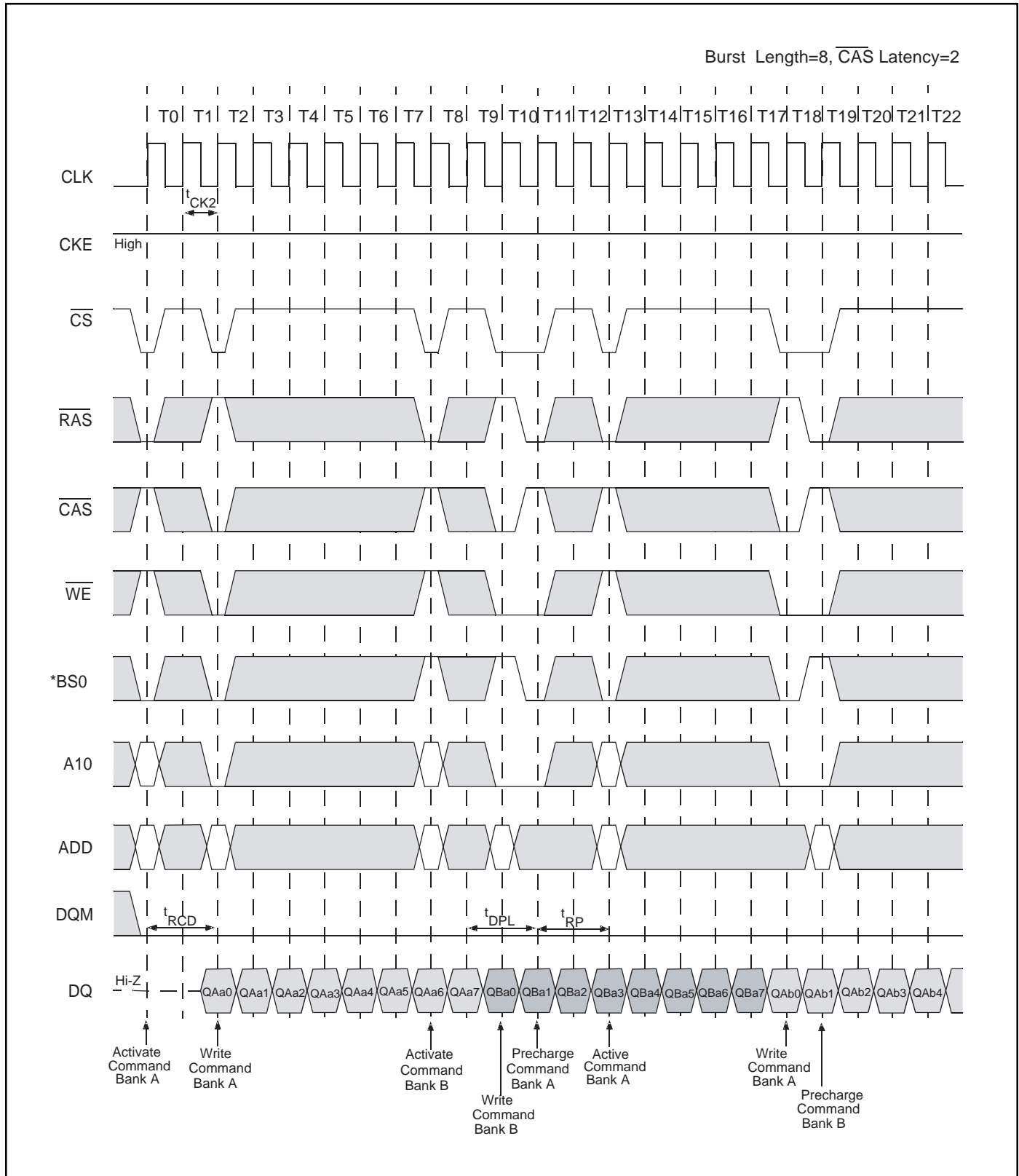
BS1="L", Bank C,D = Idle

Random Row Read (Interleaving Banks) (2 of 2)



BS1="L", Bank C,D = Idle

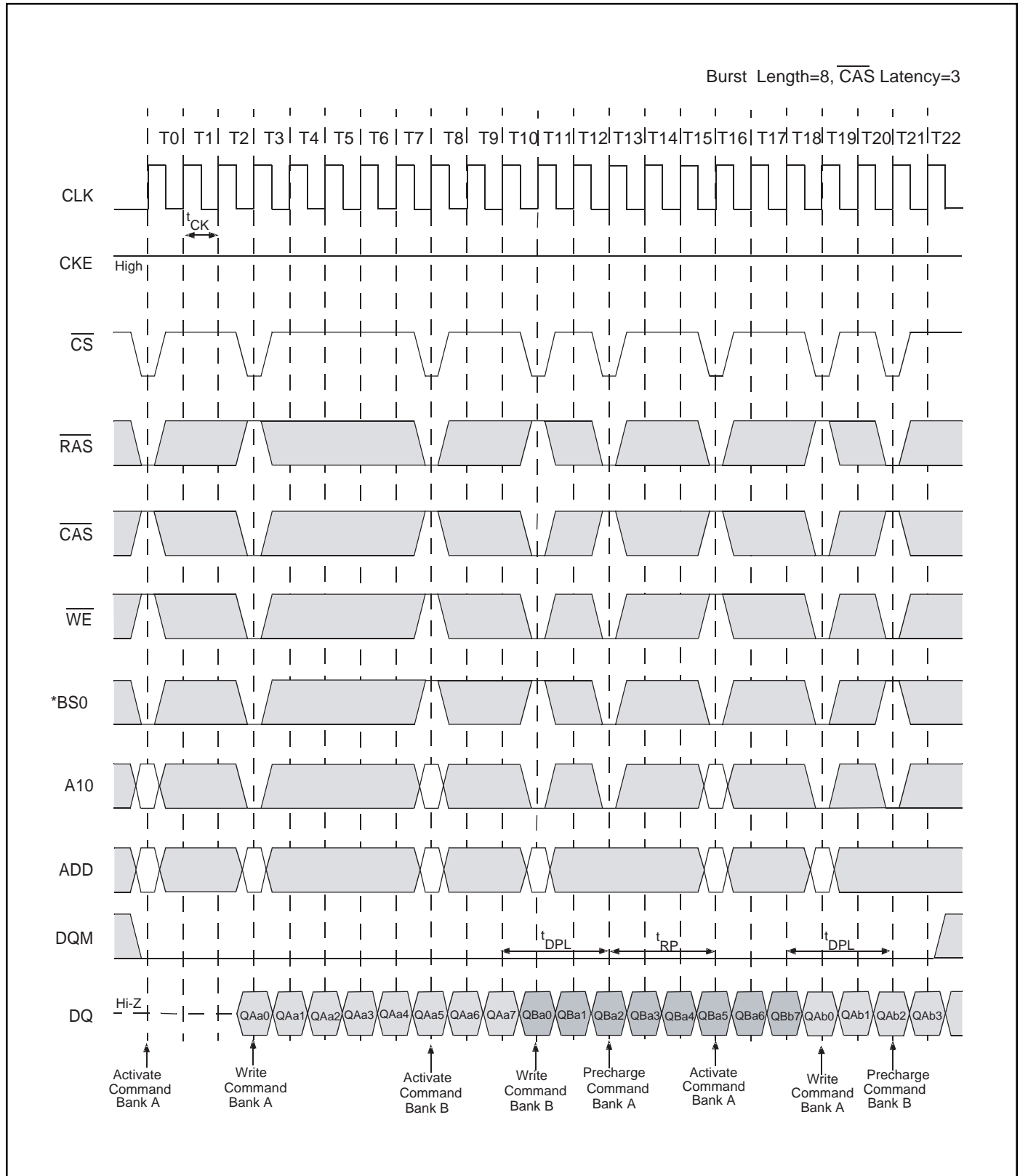
Random Row Write (Interleaving Banks) (1 of 2)



BS1="L", Bank C,D = Idle

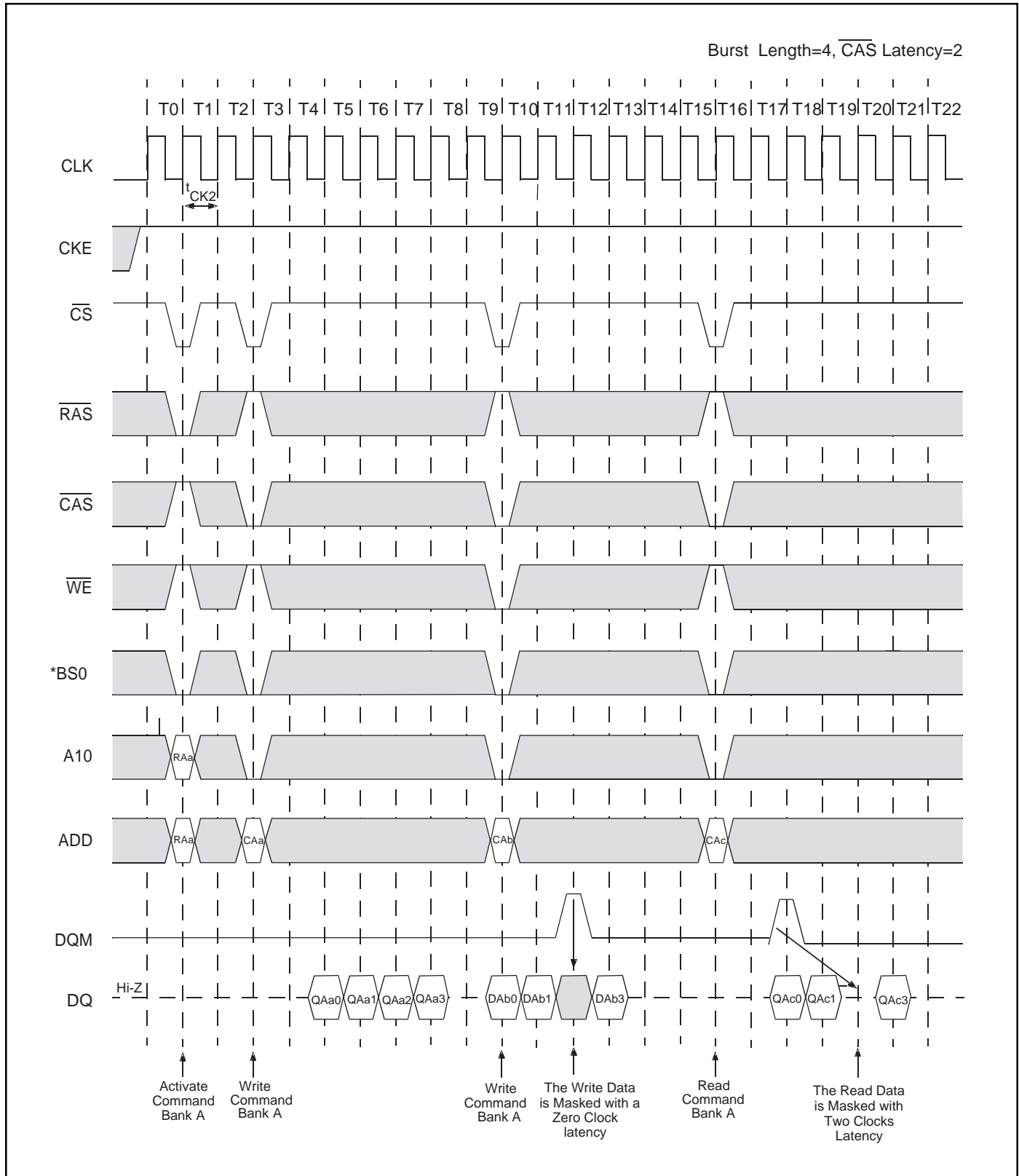


Random Row Write (Interleaving Banks) (2 of 2)



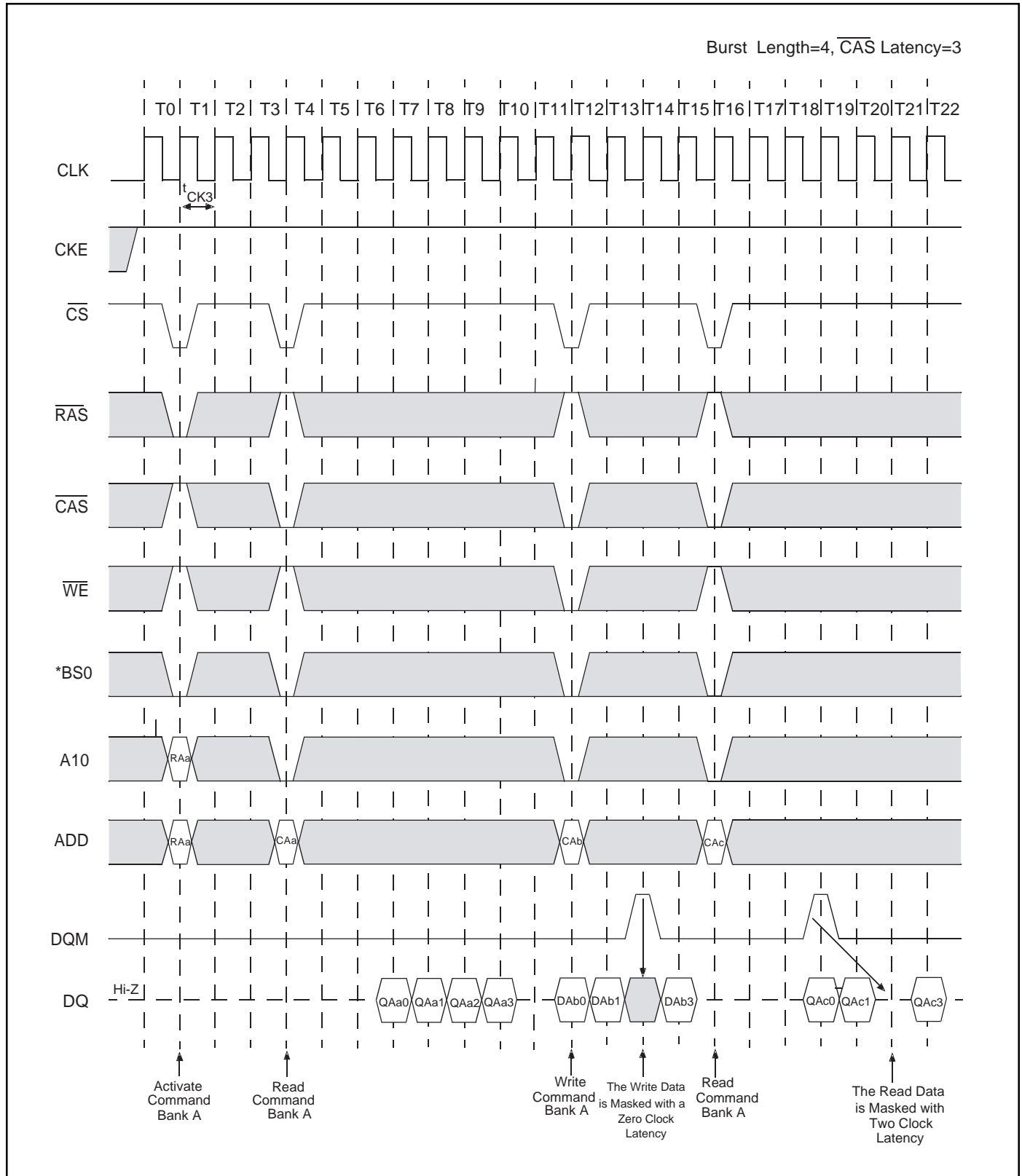
BS1="L", Bank C,D = Idle

Read and Write Cycle (1 of 2)



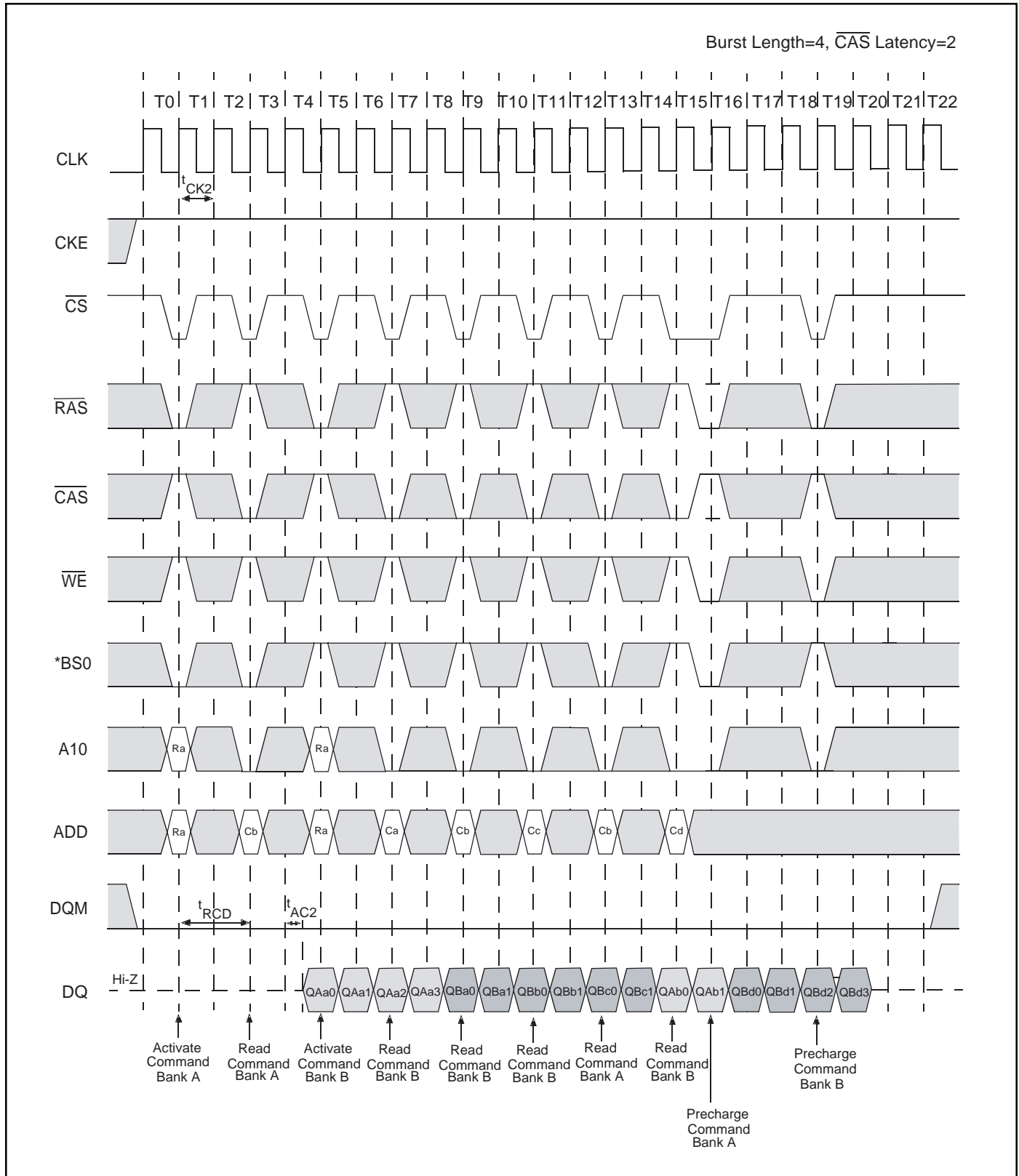
BS1="L", Bank C,D = Idle

Read and Write Cycle (2 of 2)



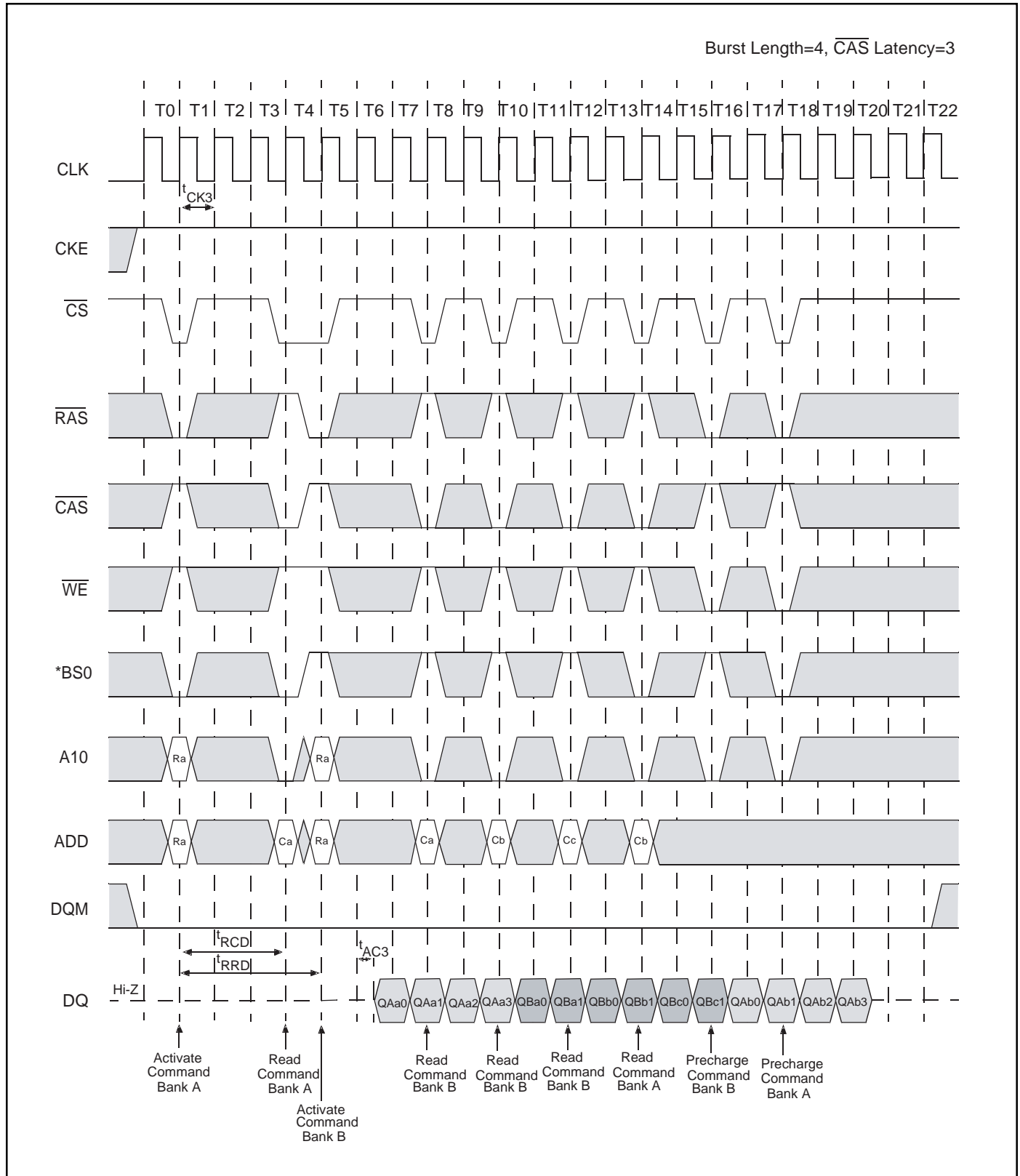
BS1="L", Bank C,D = Idle

Interleaved Column Read Cycle (1 of 2)



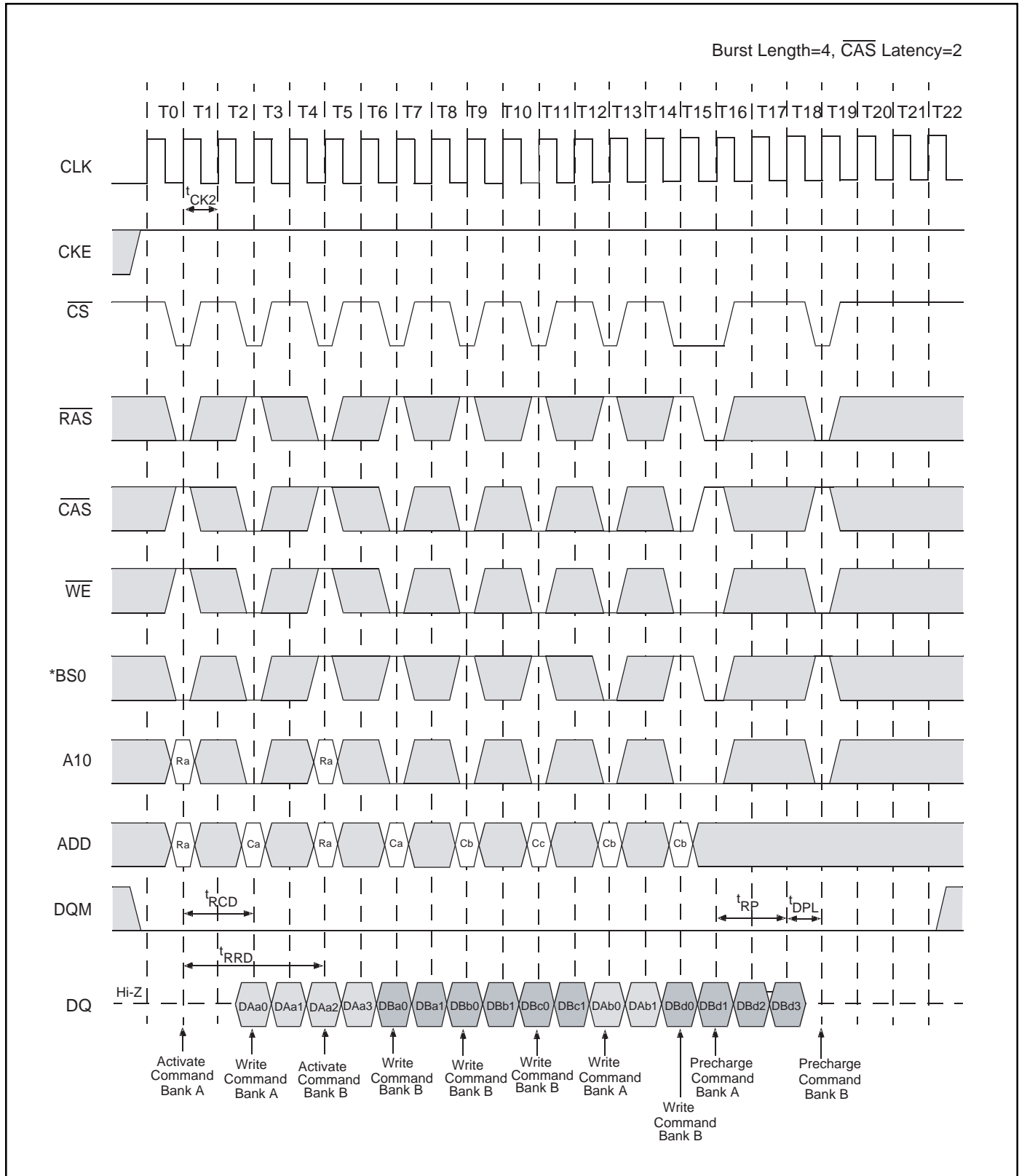
BS1="L", Bank C,D = Idle

Interleaved Column Read Cycle (2 of 2)



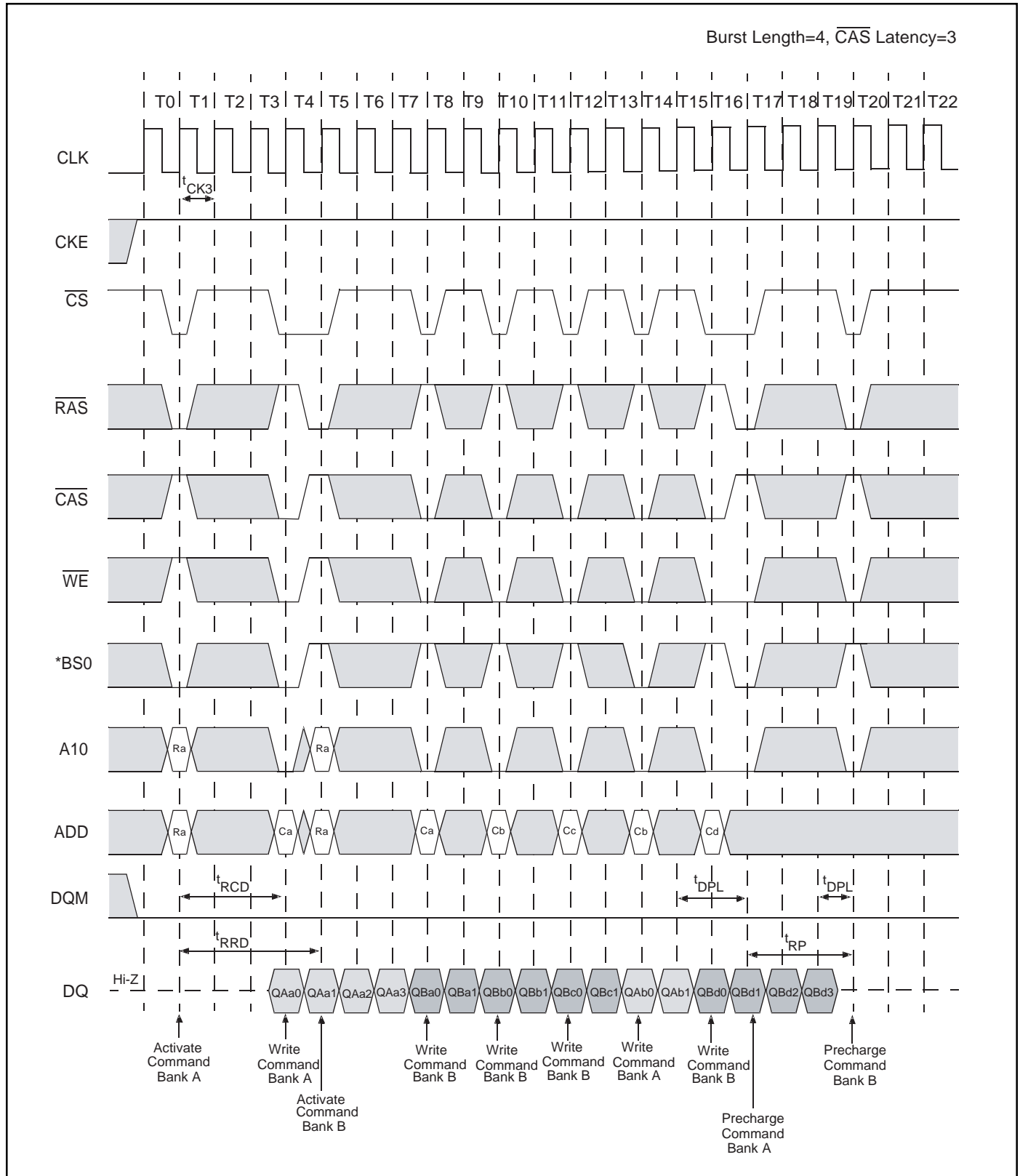
BS1="L", Bank C,D = Idle

Interleaved Column Write Cycle (1 of 2)



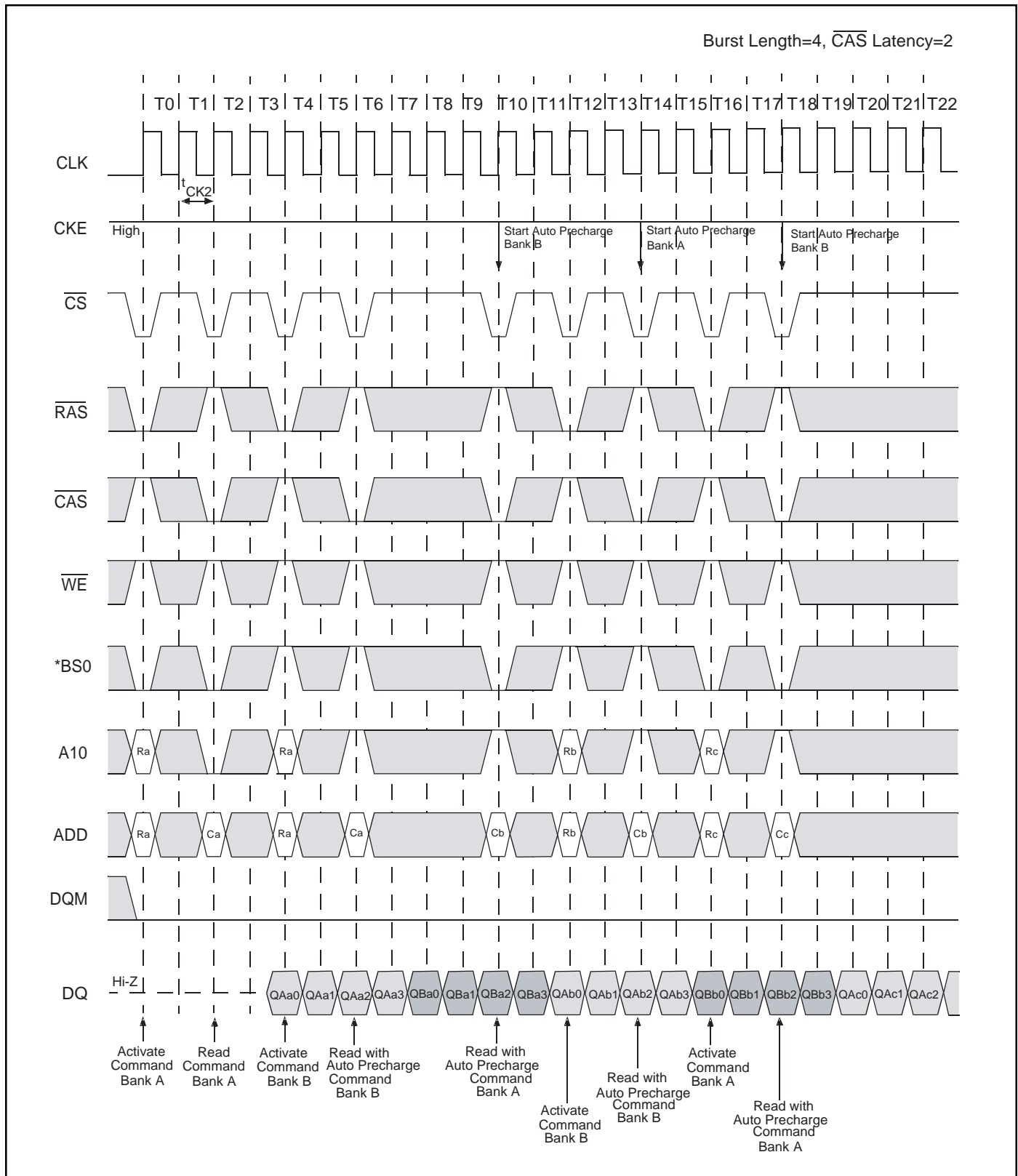
BS1="L", Bank C,D = Idle

Interleaved Column Write Cycle (2 of 2)



BS1="L", Bank C,D = Idle

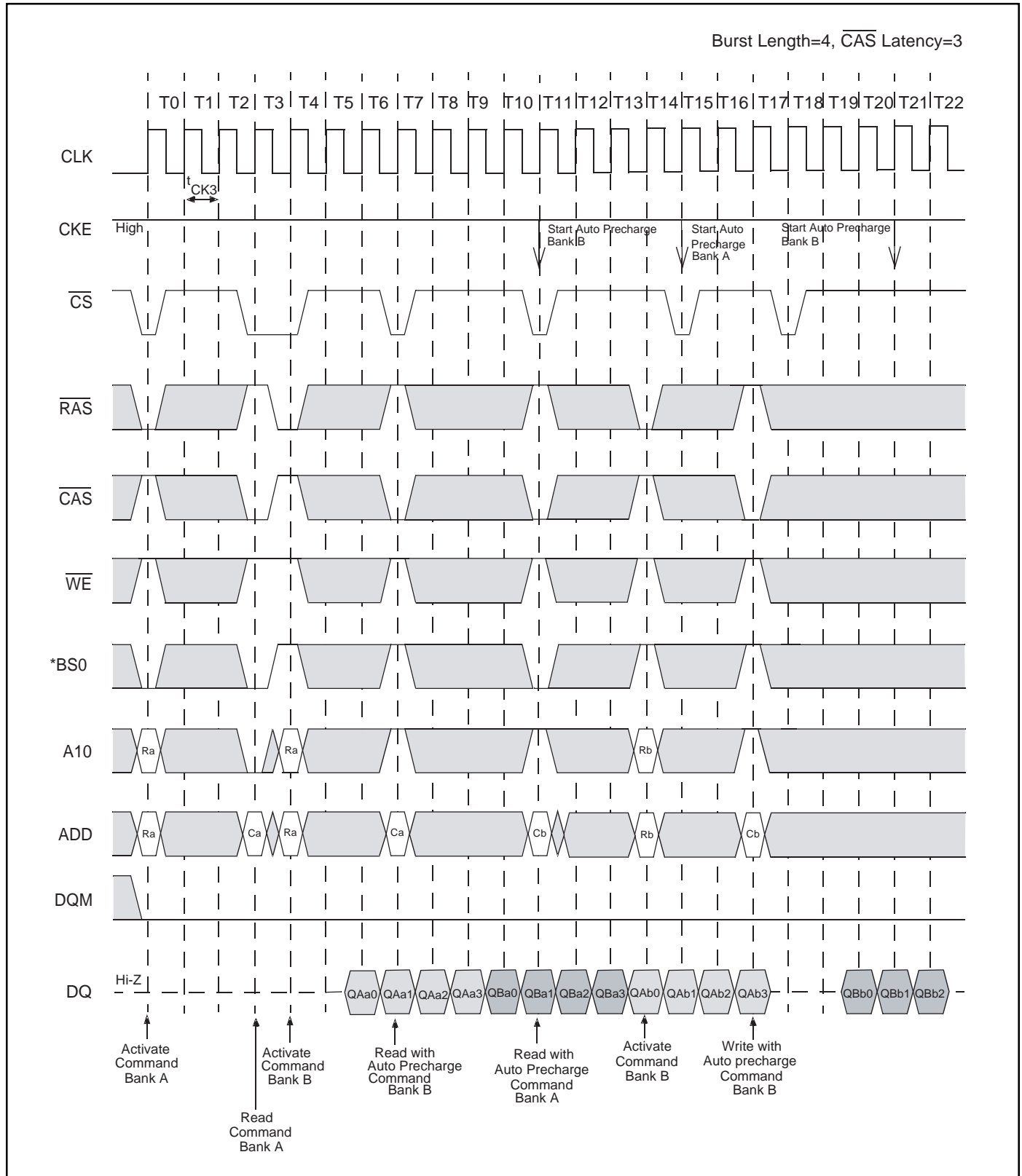
Auto Precharge after Read Burst (1 of 2)



BS1="L", Bank C,D = Idle

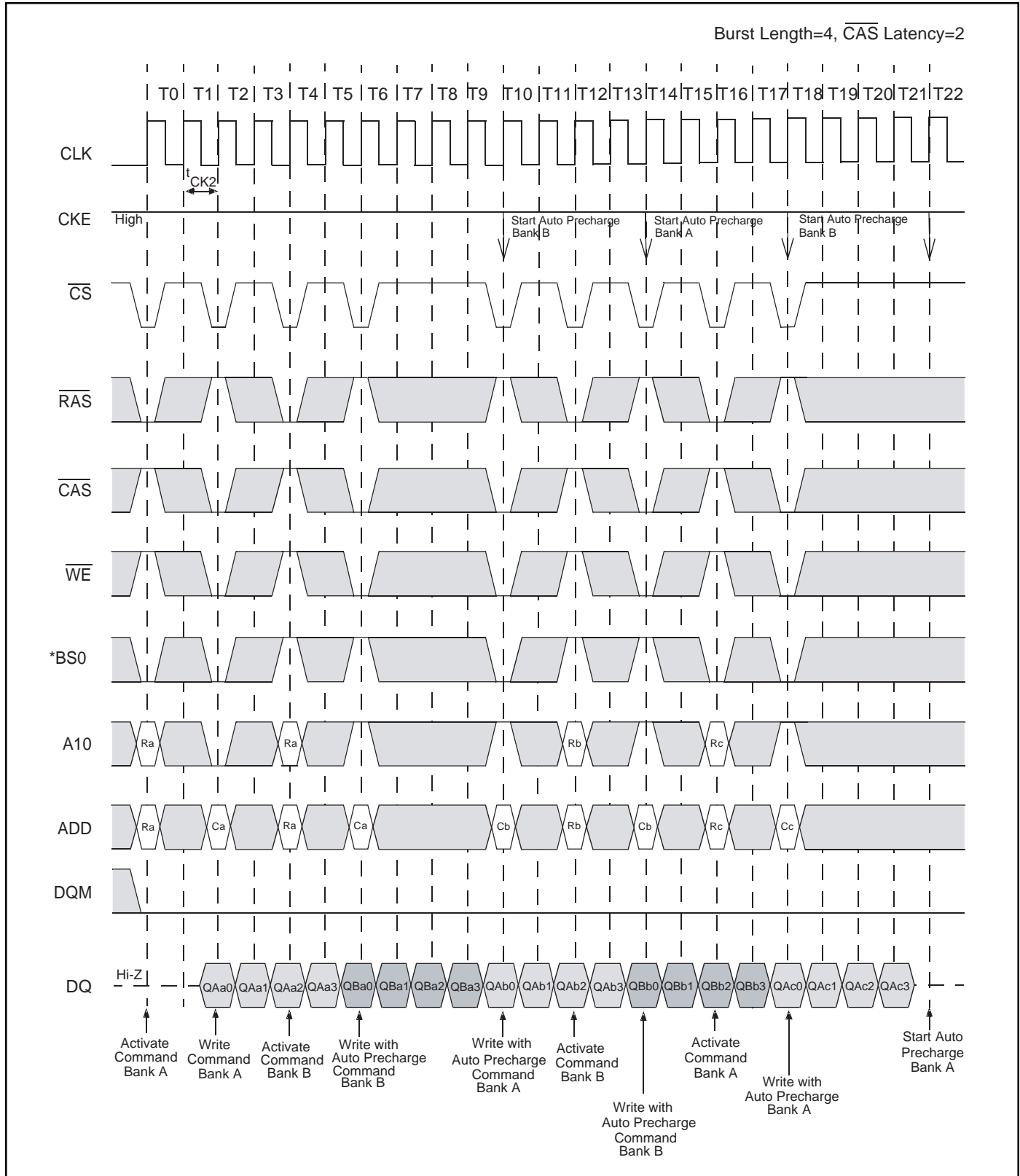


Auto Precharge after Read Burst (2 of 2)



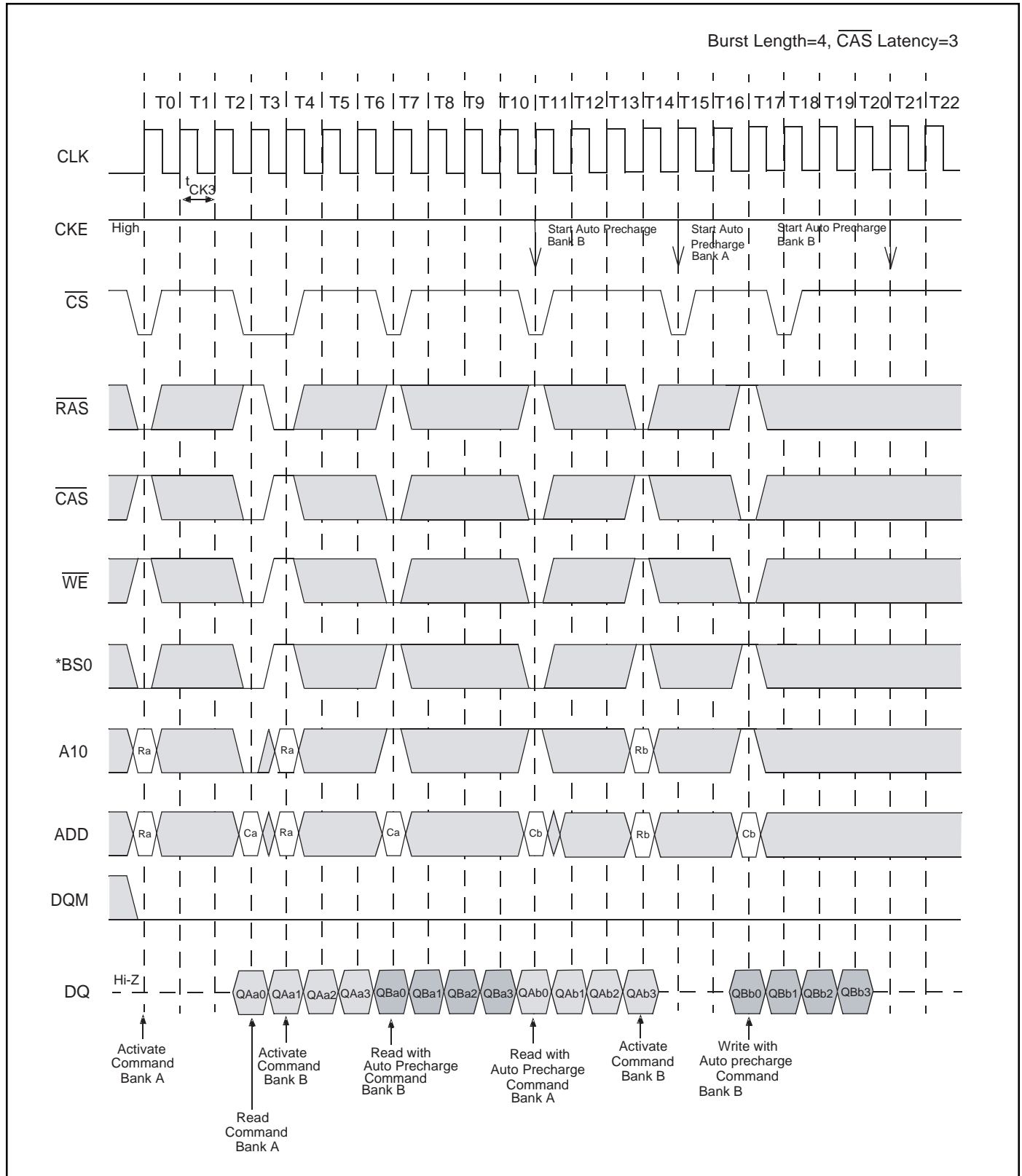
BS1="L", Bank C,D = Idle

Auto Precharge after Write Burst (1 of 2)



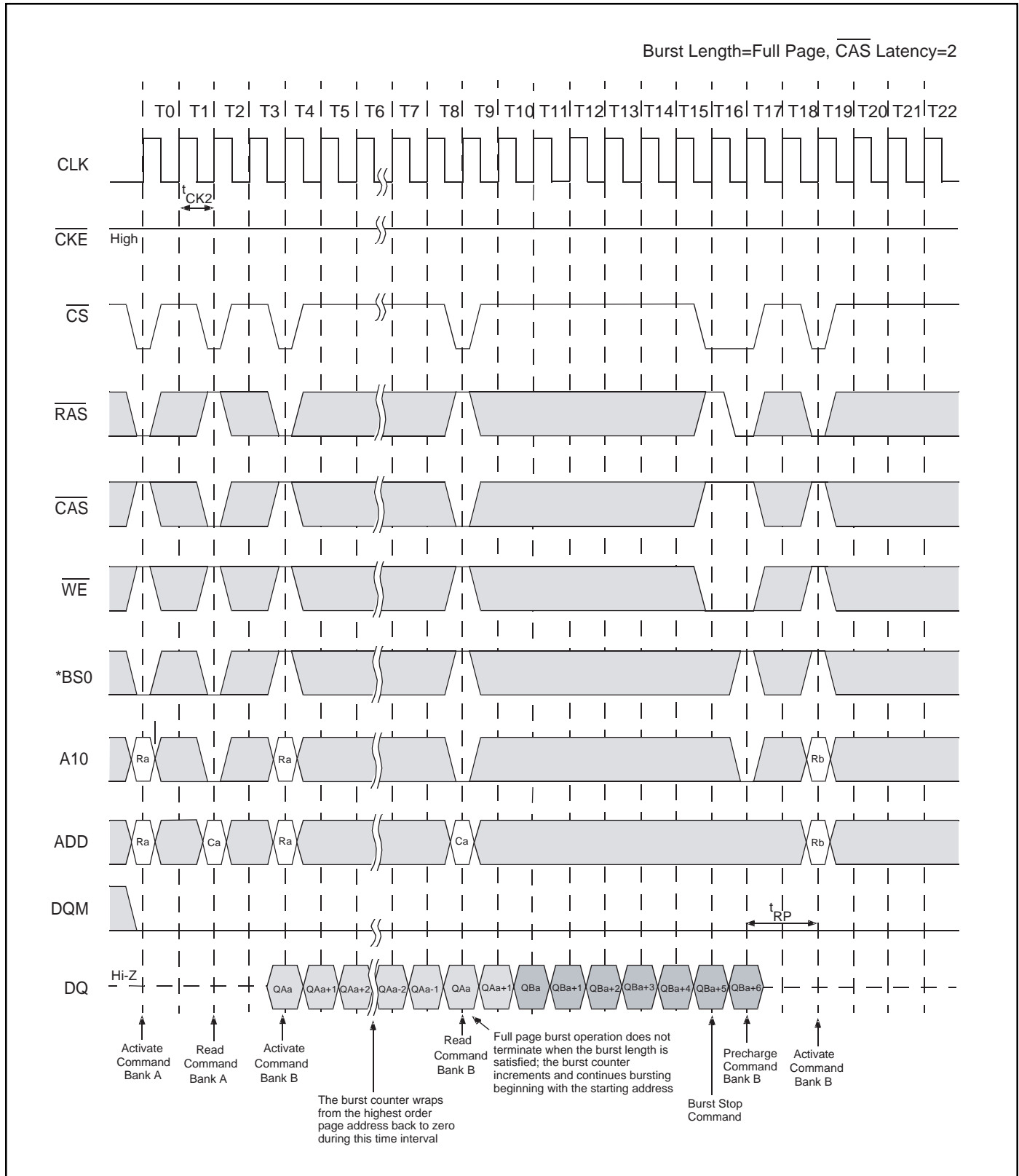
BS1="L", Bank C,D = Idle

Auto Precharge after Write Burst (2 of 2)



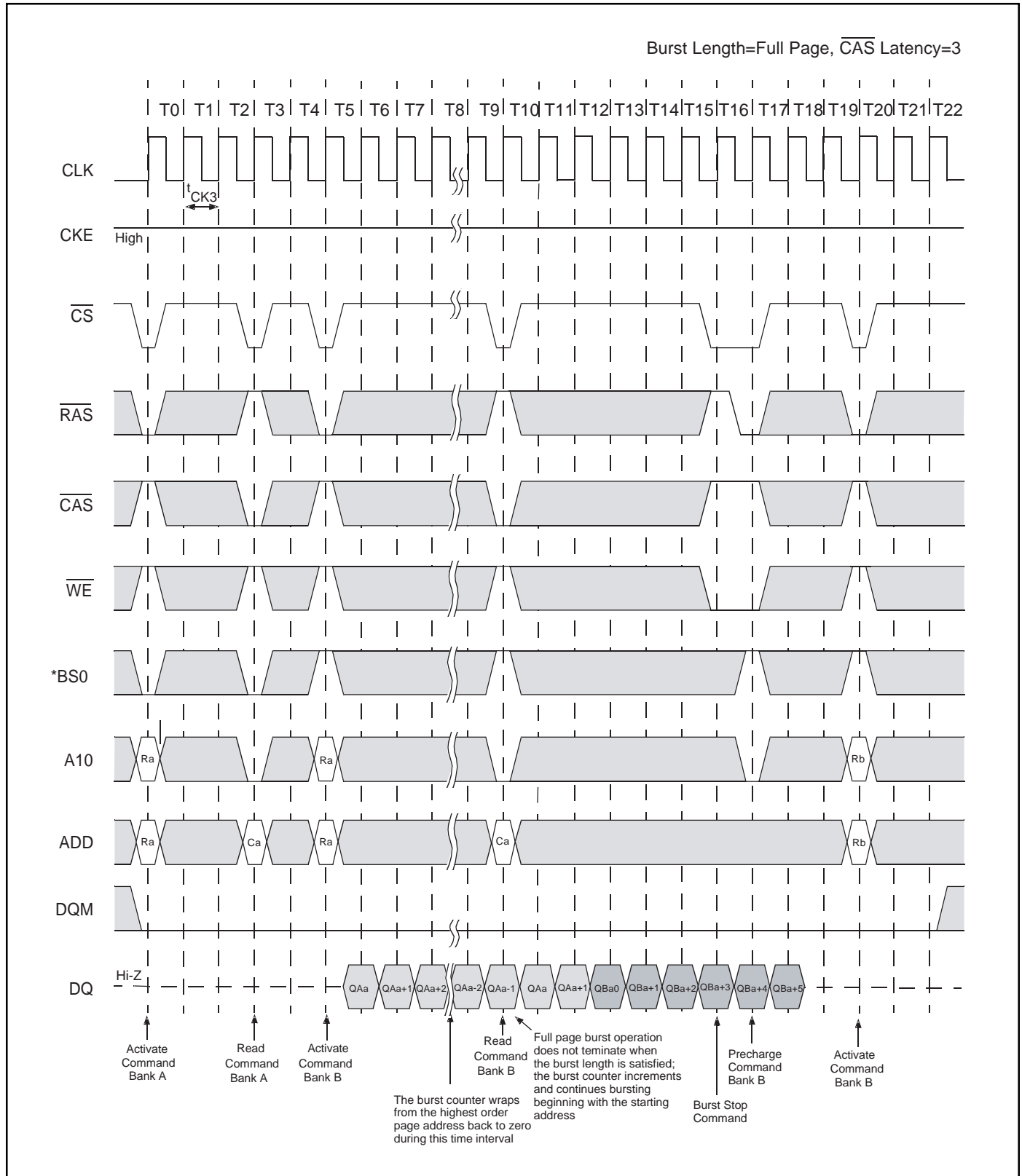
BS1="L", Bank C,D = Idle

Full Page Read Cycle (1 of 2)



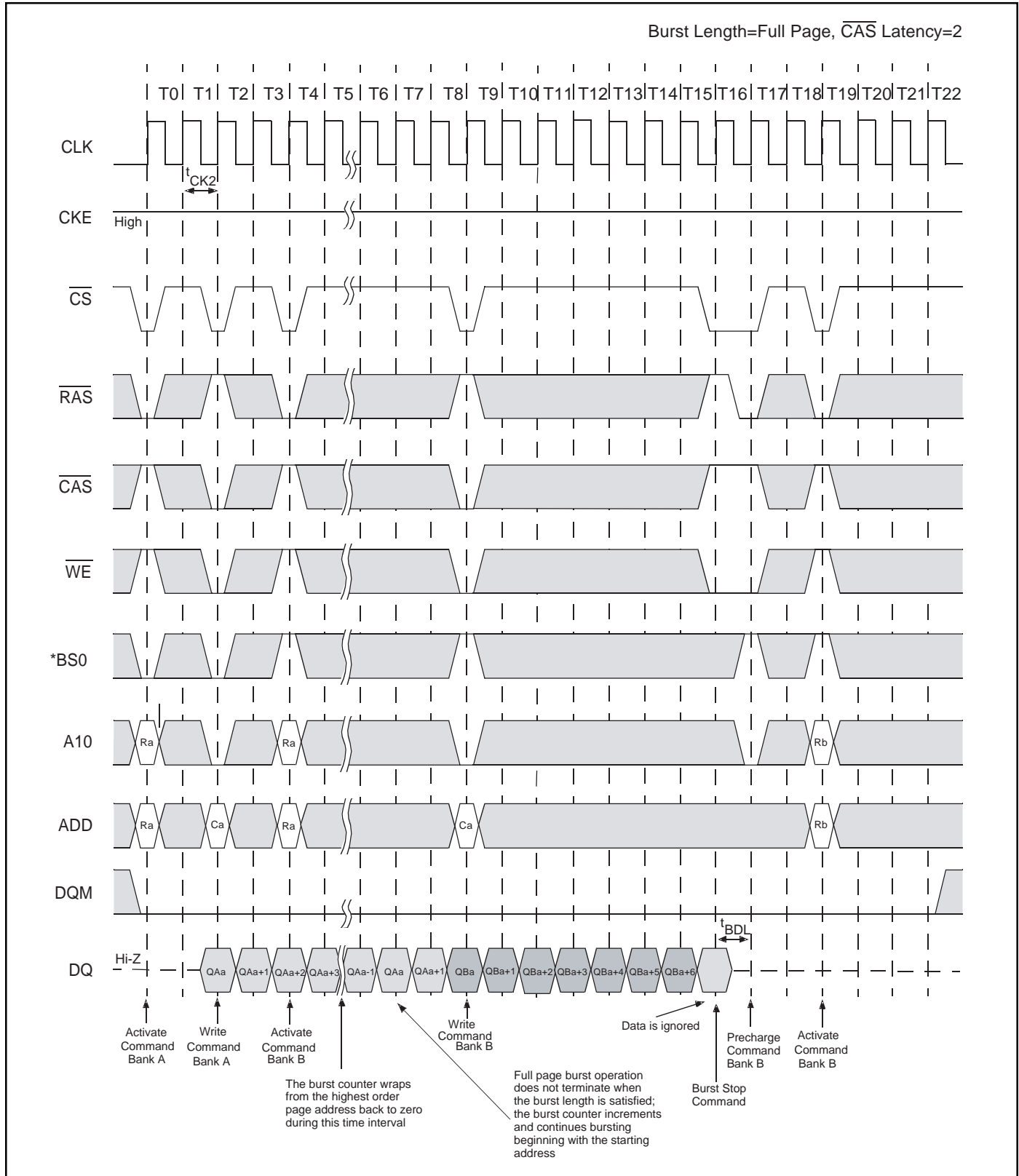
BS1="L", Bank C,D = Idle

Full Page Read Cycle (2 of 2)



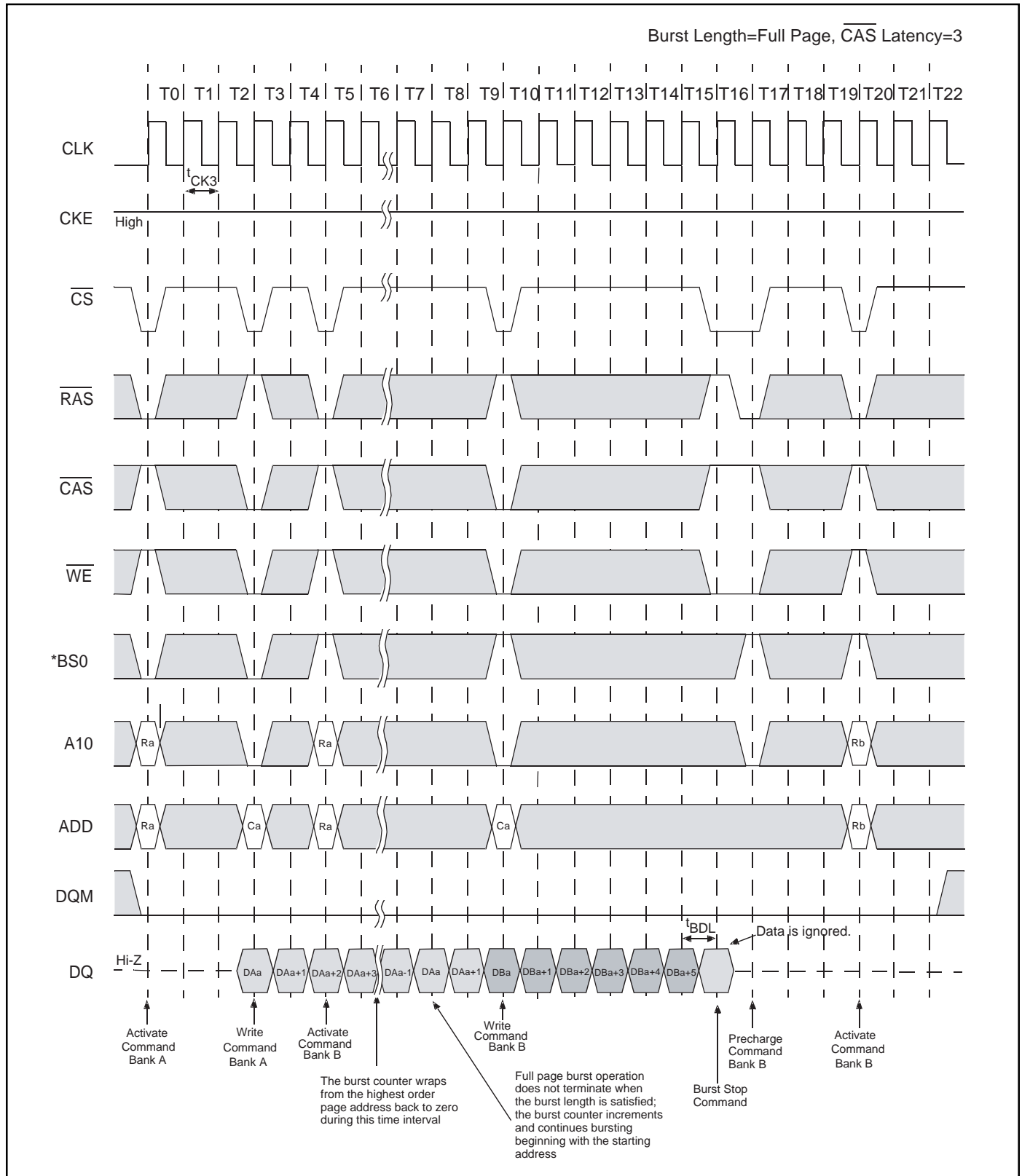
BS1="L", Bank C,D = Idle

Full Page Write Cycle (1 of 2)



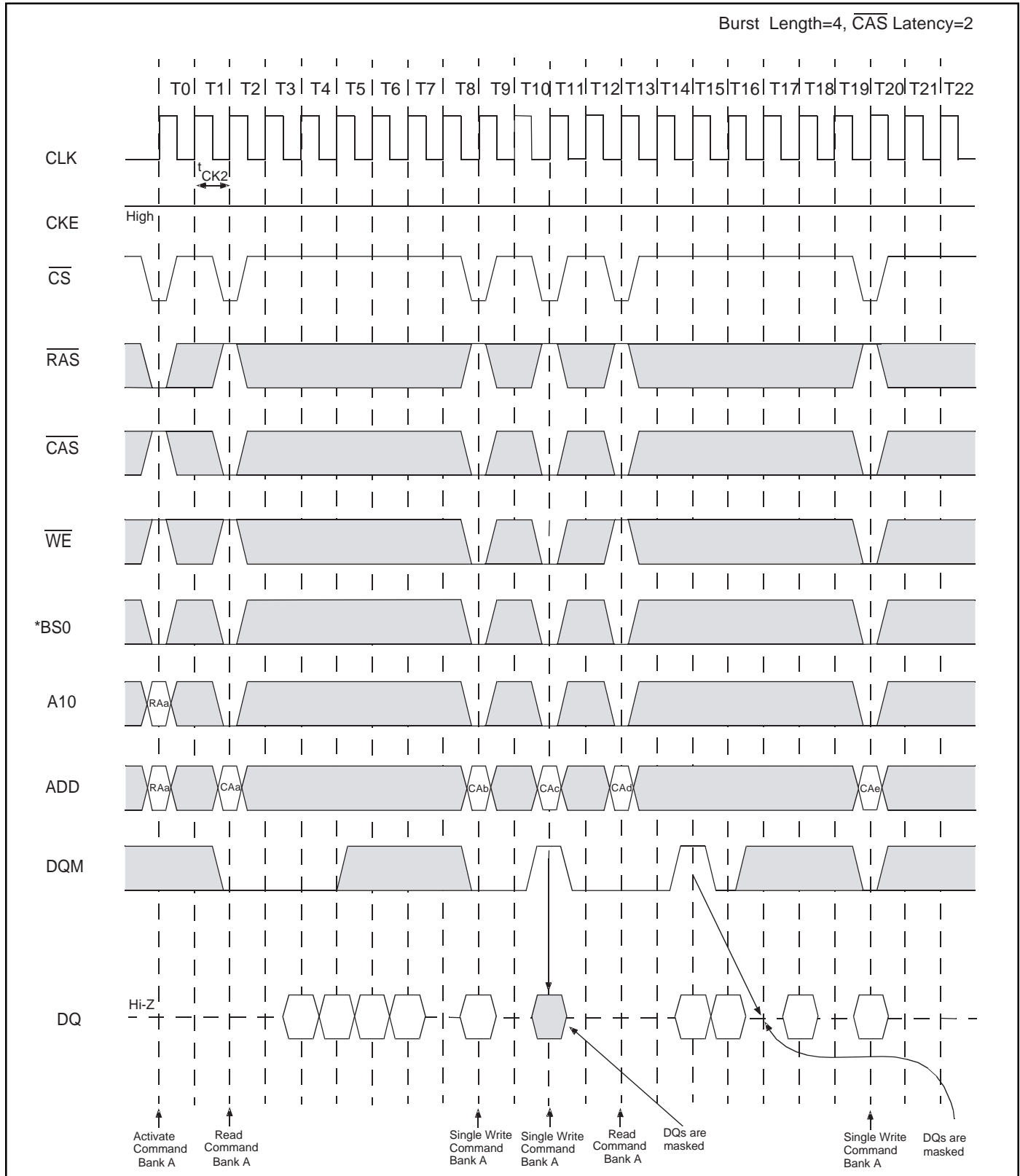
BS1="L", Bank C,D = Idle

Full Page Write Cycle (2 of 2)



BS1="L", Bank C,D = Idle

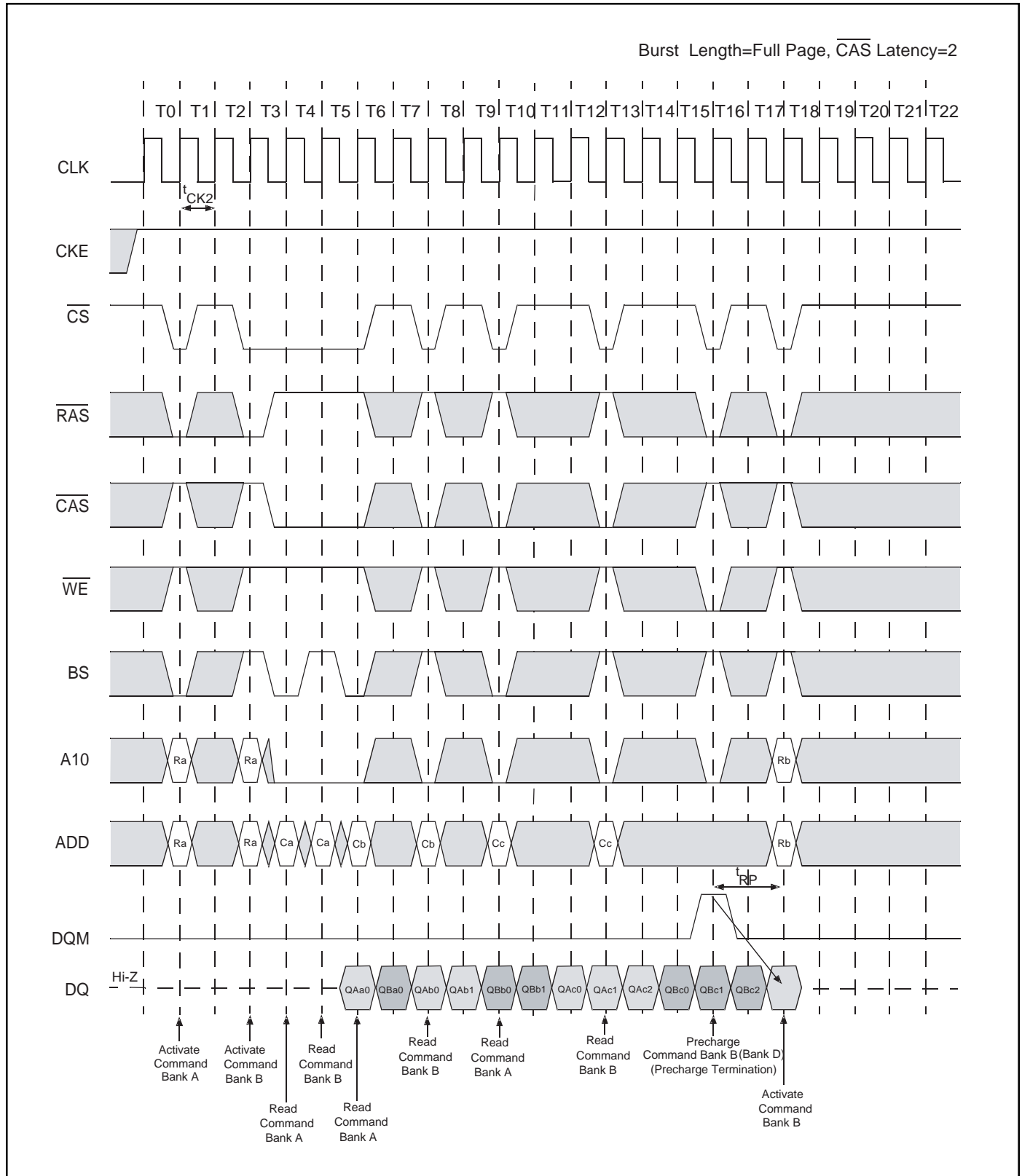
### Burst Read and Single Write Operation



BS1="L", Bank C,D = Idle

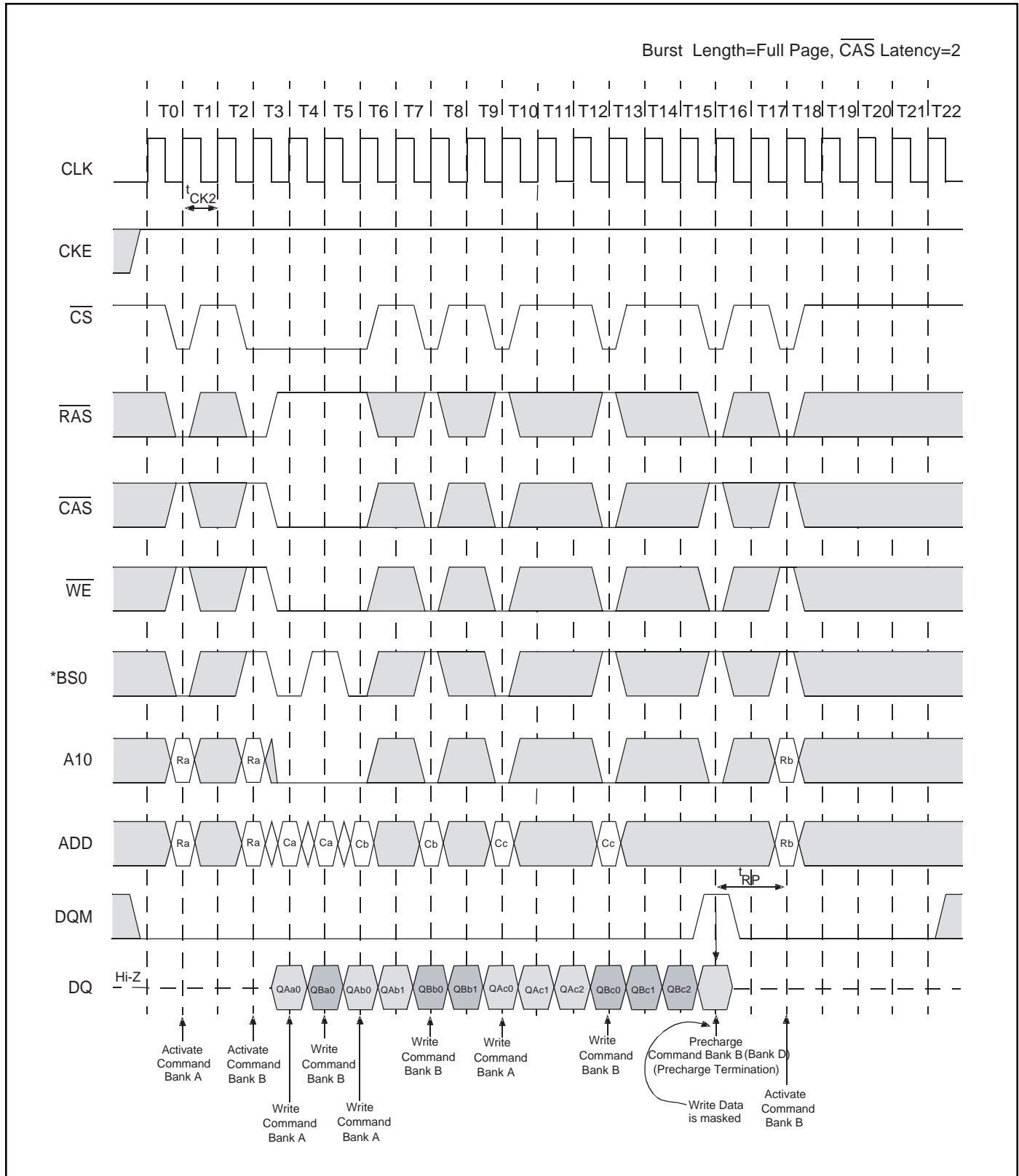


Full Page Random Column Read



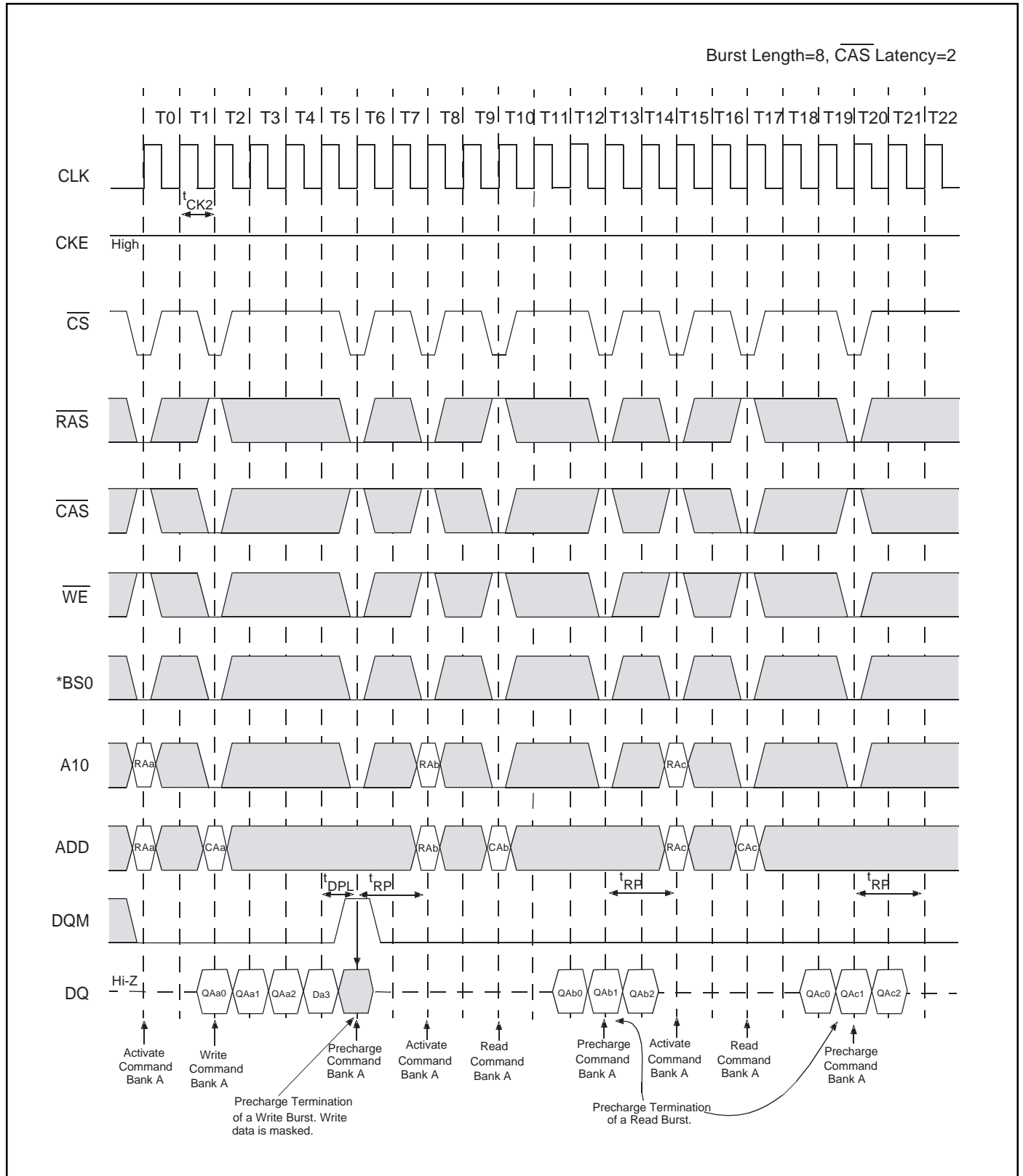
BS1="L", Bank C,D = Idle

Full Page Random Column Write



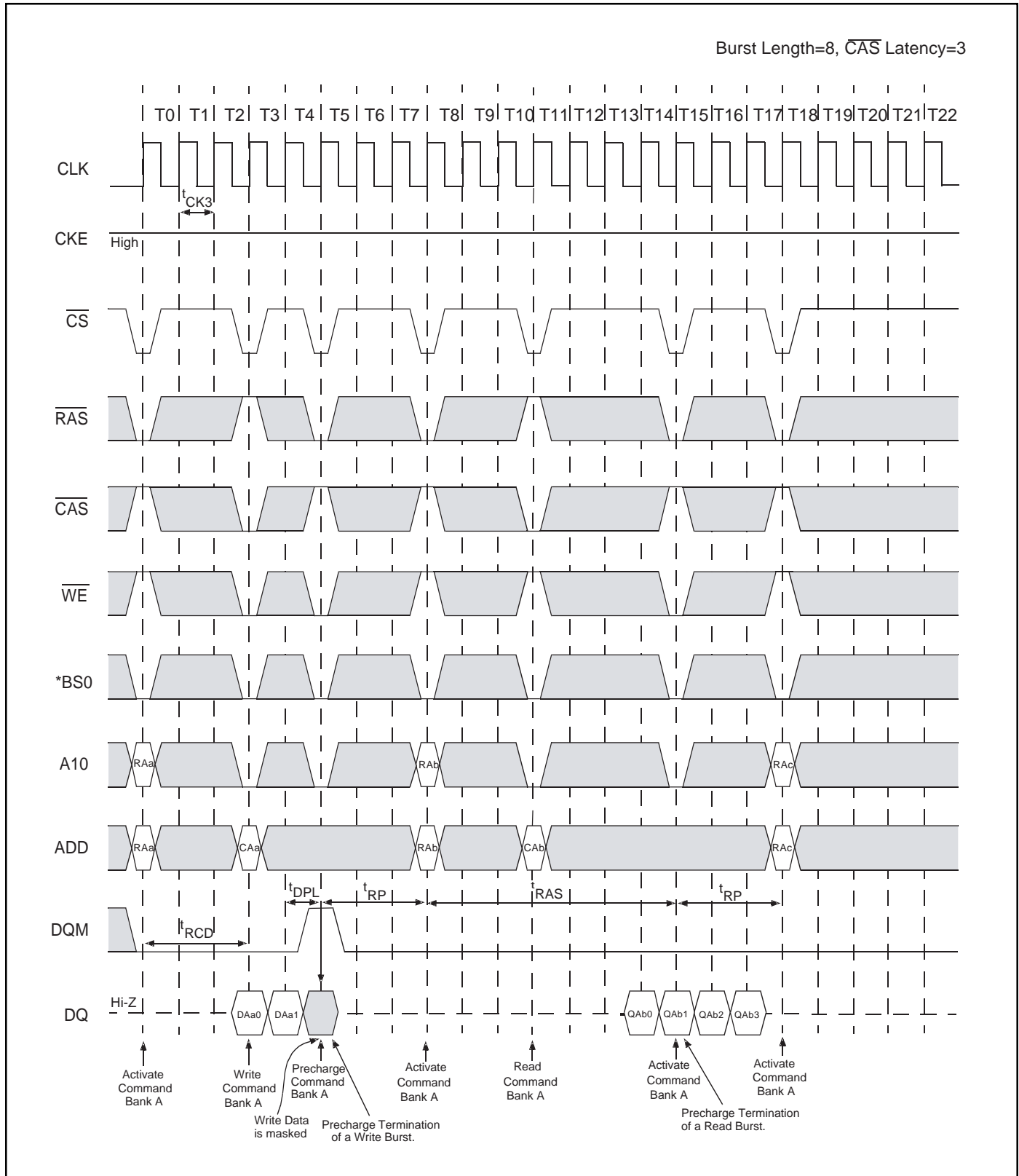
BS1="L", Bank C,D = Idle

Precharge Termination of a Burst (1 of 2)



BS1="L", Bank C,D = Idle

Precharge Termination of a Burst (2 of 2)



BS1="L", Bank C,D = Idle

## ORDERING INFORMATION

Commercial Range: 0°C to 70°C

Cycle time (ns)	Order Part No.	Package
6	IC42S81600-6T(G)	400mil TSOP-2(Pb-free)
	IC42S81600L-6T(G)	400mil TSOP-2(Pb-free)
7.5	IC42S81600-7T(G)	400mil TSOP-2(Pb-free)
	IC42S81600L-7T(G)	400mil TSOP-2(Pb-free)
8	IC42S81600-8T(G)	400mil TSOP-2(Pb-free)
	IC42S81600L-8T(G)	400mil TSOP-2(Pb-free)
6	IC42S16800-6T(G)	400mil TSOP-2(Pb-free)
	IC42S16800L-6T(G)	400mil TSOP-2(Pb-free)
7.5	IC42S16800-7T(G)	400mil TSOP-2(Pb-free)
	IC42S16800L-7T(G)	400mil TSOP-2(Pb-free)
8	IC42S16800-8T(G)	400mil TSOP-2(Pb-free)
	IC42S16800L-8T(G)	400mil TSOP-2(Pb-free)

## ORDERING INFORMATION

Industrial Range: -40°C to 85°C

Cycle time (ns)	Order Part No.	Package
6	IC42S81600-6TI(G)	400mil TSOP-2(Pb-free)
	IC42S81600L-6TI(G)	400mil TSOP-2(Pb-free)
7.5	IC42S81600-7TI(G)	400mil TSOP-2(Pb-free)
	IC42S81600L-7TI(G)	400mil TSOP-2(Pb-free)
8	IC42S81600-8TI(G)	400mil TSOP-2(Pb-free)
	IC42S81600L-8TI(G)	400mil TSOP-2(Pb-free)
6	IC42S16800-6TI(G)	400mil TSOP-2(Pb-free)
	IC42S16800L-6TI(G)	400mil TSOP-2(Pb-free)
7.5	IC42S16800-7TI(G)	400mil TSOP-2(Pb-free)
	IC42S16800L-7TI(G)	400mil TSOP-2(Pb-free)
8	IC42S16800-8TI(G)	400mil TSOP-2(Pb-free)
	IC42S16800L-8TI(G)	400mil TSOP-2(Pb-free)



**Integrated Circuit Solution Inc.**

HEADQUARTER:

NO.2, TECHNOLOGY RD. V, SCIENCE-BASED INDUSTRIAL PARK,  
HSIN-CHU, TAIWAN, R.O.C.

TEL: 886-3-5780333

Fax: 886-3-5783000

BRANCH OFFICE:

7F, NO. 106, SEC. 1, HSIN-TAI 5<sup>TH</sup> ROAD,  
HSICHIH TAIPEI COUNTY, TAIWAN, R.O.C.

TEL: 886-2-26962140

FAX: 886-2-26962252

<http://www.icsi.com.tw>