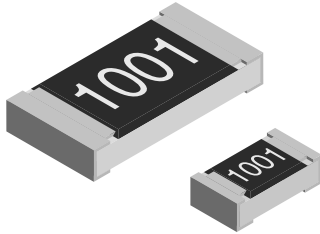


Thick Film, Rectangular, Precision Resistors



FEATURES

- Metal glaze on high quality ceramic
- Protective overglaze
- Solder contacts on Ni barrier layer
- Excellent stability in different environmental conditions
- Low temperature coefficient and tight tolerances

STANDARD ELECTRICAL SPECIFICATIONS									
MODEL	SIZE		POWER RATING P _{70°C} W	LIMITING ELEMENT VOLTAGE MAX V _≡	TEMPERATURE COEFFICIENT	TOLERANCE	RESISTANCE RANGE	E-SERIES	
	INCH	METRIC							
D10P CRCW0402	0402	1005	0.063	50	± 100 ± 50 ± 25	± 0.5 ± 0.25; ± 0.5; ± 1 ± 0.25; ± 0.5; ± 1	10R - 1M0 100R - 1M0 100R - 10K	96	96
D11P CRCW0603	0603	1608	0.1	75	± 100 ± 50 ± 50 ± 25	± 0.5 ± 0.25 ± 0.5; ± 1 ± 0.25; ± 0.5; ± 1	10R - 10M 100R - 1M0 100R - 10M 100R - 10K	96	96
D12P CRCW0805	0805	2012	0.125	150	± 100 ± 50 ± 50 ± 25	± 0.5 ± 0.25 ± 0.5; ± 1 ± 0.25; ± 0.5; ± 1	10R - 10M 100R - 1M0 100R - 10M 100R - 10K	96	96
D25P CRCW1206	1206	3216	0.25	200	± 100 ± 50 ± 50 ± 25	± 0.5 ± 0.25 ± 0.5; ± 1 ± 0.25; ± 0.5; ± 1	10R - 10M 100R - 1M0 100R - 10M 100R - 10K	96	96
CRCW1210	1210	3225	0.33	200	± 100 ± 50	± 0.5 ± 0.5	100R - 1M0 100R - 1M0	96	96
CRCW1218	1218	3246	1.0	200	± 100 ± 50	± 0.5 ± 0.5; ± 1	100R - 2M2 100R - 2M2	96	96
CRCW2010	2010	5025	0.5	400	± 100 ± 50	± 0.5 ± 0.5; ± 1	10R - 10M 100R - 10M	96	96
CRCW2512	2512	6332	1.0	500	± 100 ± 50	± 0.5 ± 0.5; ± 1	10R - 10M 100R - 10M	96	96

- Ask about further value ranges
- Special terminations for conductive adhesive attachment on request
- Power rating depends on the max. temperature at the solder point, the component placement density and the substrate material
- Marking and packaging: see appropriate catalog or web pages

TECHNICAL SPECIFICATIONS									
PARAMETER	UNIT	D10P CRCW0402	D11P CRCW0603	D12P CRCW0805	D25P CRCW1206	CRCW1210	CRCW1218	CRCW2010	CRCW2512
Rated Dissipation at 70°C (CECC 40401 EIA 575)	W	0.063	0.1	0.125	0.25	0.33	1.0	0.5	1.0
Limiting Element Voltage ²⁾	V _≡	50	75	150	200	200	200	400	500
Insulation Voltage (1 min)	V _{peak}	> 75	> 100	> 200	> 300	> 300	> 300	> 300	> 300
Thermal Resistance	K/W	≤ 870 ¹⁾	≤ 550 ¹⁾	≤ 440 ¹⁾	≤ 220 ¹⁾	≤ 140 ³⁾	³⁾	≤ 88 ³⁾	≤ 65 ³⁾
Insulation Resistance	Ω	> 10 ⁹							
Category Temperature Range	°C	- 55 to + 125							
Failure Rate	h ⁻¹	0.3 • 10 ⁻⁹							
Weight / 1000pcs	g	0.65	2	5.5	10	16	29.5	25.5	40.5

¹⁾ Measuring conditions in acc. to CECC 40401-802

²⁾ Rated voltage: $\sqrt{P \times R}$

³⁾ Depending on solder pad dimensions

PART NUMBER AND PRODUCT DESCRIPTION D-SERIES

Part Numbering: D120805FB5620DP0

D	1	2	0	8	0	5	F	B	5	6	2	0	D	P	0		
---	---	---	---	---	---	---	---	---	---	---	---	---	---	---	---	--	--

MODEL/SIZE	SPECIAL CHARACTER	TC	VALUE	TOLERANCE	PACKING	SPECIAL
D100402 D110603 D120805 D251206	F = P (Precision)	D = ± 25 ppm/K C = ± 50 ppm/K B = ± 100 ppm/K	3 digit value 1 digit multiplier MULTIPLIER 7 = *10 ⁻³ 8 = *10 ⁻² 9 = *10 ⁻¹ 0 = *10 ⁰ 1 = *10 ⁻¹ 2 = *10 ⁻² 3 = *10 ⁻³ 4 = *10 ⁻⁴ 5 = *10 ⁻⁵ 6 = *10 ⁻⁶	C = ± 0.25 % D = ± 0.5 % F = ± 1 %	P0 P5 PN MZ MU M0 PZ B5 BN	up to 2 digits

Product Description: D12P 100 562R 0.5% P5

D12P	100	562R	0.5 %	P5
MODEL	TC	RESISTANCE VALUE	TOLERANCE	PACKING ¹⁾
D10P D11P D12P D25P	± 25 ppm/K ± 50 ppm/K ± 100 ppm/K	49R9 = 49.9 Ω 5R1 = 5.1 Ω	± 0.25 % ± 0.5 % ± 1 %	P0 M0 P5 PZ PN B5 MZ BN MU

1) Please refer to table PACKING, page 96.

PART NUMBER AND PRODUCT DESCRIPTION CRCW-SERIES

Part Numbering: CRCW080525R0DKTAP

C	R	C	W	0	8	0	5	2	5	R	0	D	K	T	A	P	
---	---	---	---	---	---	---	---	---	---	---	---	---	---	---	---	---	--

MODEL/SIZE	VALUE	TOLERANCE	TC	PACKING	SPECIAL
CRCW0402 CRCW0603 CRCW0805 CRCW1206 CRCW1210 CRCW1218 CRCW2010 CRCW2512	R = Decimal K = Thousand M = Million	C = ± 0.25 % D = ± 0.5 % F = ± 1 %	E = ± 25 ppm/K H = ± 50 ppm/K K = ± 100 ppm/K	TA = RT1 TB = RT5 TC = RT6 TD = RT7 TF = R02 TG = R67 TH = R82 TK = RT9 BA = B27	up to 2 digits P = Precision

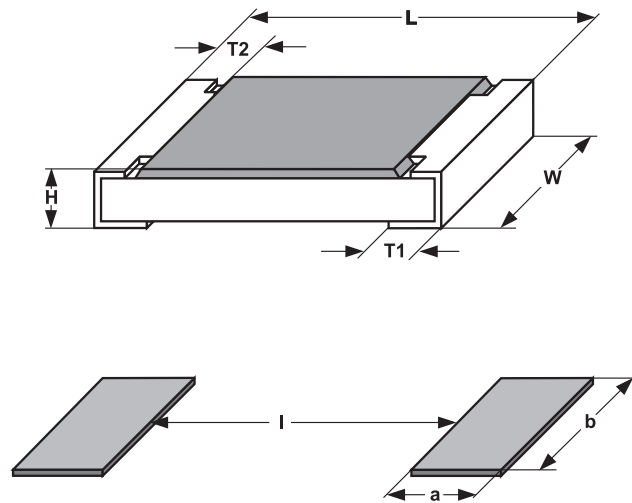
Product Description: CRCW 0805 25R D 100 RT1

CRCW0805	25R	D	100	RT1
MODEL	RESISTANCE VALUE	TOLERANCE	TC	PACKING ¹⁾
CRCW0402 CRCW0603 CRCW0805 CRCW1206 CRCW1210 CRCW1218 CRCW2010 CRCW2512	49R9 = 49.9 Ω 5R1 = 5.1 Ω	C = ± 0.25 % D = ± 0.5 % F = ± 1 %	± 25 ppm/K ± 50 ppm/K ± 100 ppm/K	RT1 RT5 RT6 RT7 R02 R67 R82 RT9 B27

1) Please refer to table PACKING, page 96.

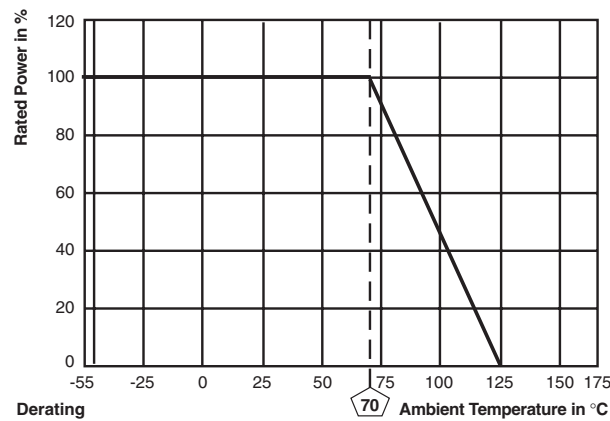
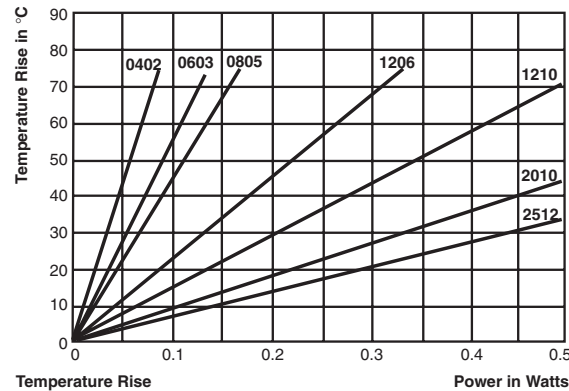
PACKING								
MODEL	REEL				PACKING CODE		BULK	
	TAPE WIDTH	DIAMETER	PIECES/REEL	PITCH	PAPER	BLISTER	PIECES	CODE
D10P CRCW0402	8mm	180mm/7"	10 000	2 mm	P0/RT7		50 000	MZ / B27
		330mm/13"	50 000	2 mm	PZ/RF4			
D11P CRCW0603	8mm	180mm/7"	5 000	4 mm	P5/RT1	B5	25 000	MU / B27
		255mm/10"	10 000	4 mm	P0/RT5			
		330mm/13"	20 000	4 mm	PN/RT6	BN		
D12P CRCW0805	8mm	180mm/7"	5 000	4 mm	P5/RT1	B5	10 000	MO / B27
		255mm/10"	10 000	4 mm	P0/RT5			
		330mm/13"	20 000	4 mm	PN/RT6	BN		
D25P CRCW1206	8mm	180mm/7"	5 000	4 mm	P5/RT1	B5		
		255mm/10"	10 000	4 mm	P0/RT5			
		330mm/13"	20 000	4 mm	PN/RT6	BN		
CRCW1210	8mm	180mm/7"	5 000	4 mm	P5/RT1	B5		
		330mm/13"	20 000	4 mm	PN/RT6	BN		
CRCW1218	12mm	180mm/7"	4 000	4 mm		B4/RT9		
CRCW2010	12mm	180mm/7"	4 000	4 mm		B4/R02		
CRCW2512	12mm	180mm/7"	2 000	8 mm		B2/R67		
			4 000	4 mm		B4/R82		

DIMENSIONS



SIZE		DIMENSIONS [in millimeters]				
INCH	METRIC	L	W	H	T1	T2
0402	1005	1.0 ± 0.05	0.5 ± 0.05	0.35 ± 0.05	0.25 ± 0.05	0.2 ± 0.1
0603	1608	1.55 ^{+0.10} _{-0.05}	0.85 ± 0.1	0.45 ± 0.05	0.3 ± 0.2	0.3 ± 0.2
0805	2012	2.0 ^{+0.20} _{-0.10}	1.25 ± 0.15	0.45 ± 0.05	0.3 ^{+0.20} _{-0.10}	0.3 ± 0.2
1206	3216	3.2 ^{+0.10} _{-0.20}	1.6 ± 0.15	0.55 ± 0.05	0.45 ± 0.2	0.4 ± 0.2
1210	3225	3.2 ± 0.2	2.5 ± 0.2	0.55 ± 0.05	0.45 ± 0.2	0.4 ± 0.2
1218	3246	3.2 ^{+0.10} _{-0.20}	4.6 ± 0.15	0.55 ± 0.05	0.45 ± 0.2	0.4 ± 0.2
2010	5025	5.0 ± 0.15	2.5 ± 0.15	0.6 ± 0.05	0.6 ± 0.2	0.6 ± 0.2
2512	6332	6.3 ± 0.2	3.15 ± 0.15	0.6 ± 0.05	0.6 ± 0.2	0.6 ± 0.2

Dimensions 1210 to 2512 and solder-pad dimensions: see standard chip resistors D..CRCW



PERFORMANCE				
TEST	CONDITIONS OF TEST	TEST RESULTS %		
		0402 0603	0805 1206 1210	1218 2010 2512
Endurance Test at 70°C IEC 60115-1 4.25.1	1000 hours at 70°C, 1.5 hours "ON", 0.5 hours "OFF"	≤ ± 1.0	≤ ± 1.5	≤ ± 1.0
Endurance at UCT IEC 60115-1 4.25.3	1000 hours at 125°C without load	≤ ± 1.0	≤ ± 0.5	≤ ± 1.0
Overload Test IEC 60115-1 4.13	Short time overload 2.5 x rated voltage or ≤ 2 x limiting element voltage.	≤ ± 0.25	≤ ± 0.25	≤ ± 0.5
Thermal Shock IEC 60115-1 4.19; IEC 60068-2-14;	Rapid change between upper and lower category temperature	≤ ± 0.25	≤ ± 0.25	≤ ± 0.5
Damp Heat Steady State IEC 60115-1 4.24; IEC 60068-2-3	56 days at 40°C and 93% relative humidity	≤ ± 1.0	≤ ± 0.5	≤ ± 1.0
Resistance to Soldering Heat IEC 60115-1 4.18; IEC 60068-2-20	10 seconds at 260°C solder bath temperature	≤ ± 0.25	≤ ± 0.25	≤ ± 0.5

APPLICABLE SPECIFICATIONS
<ul style="list-style-type: none"> • CECC40000 / 40400 / 40401-802 • EN140400 / IEC 60115 – 1 • EIA 575 • MIL-PRF-55342