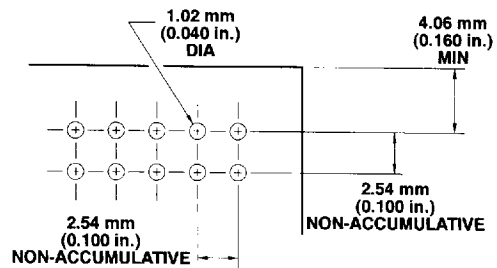
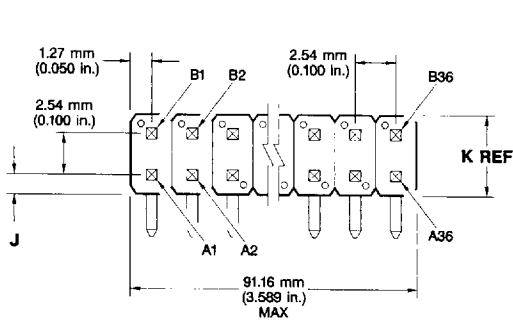
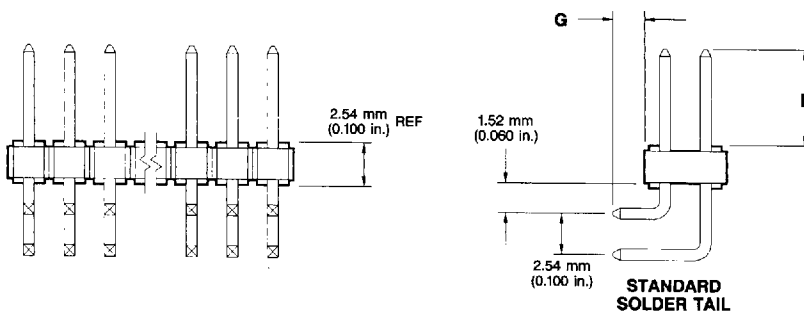


Description

Right-Angle 2-Row BergStik® II Headers



RECOMMENDED HOLE PATTERN



A18398-0201A

Base number specifies pin length and style

These digits specify total number of positions (2 through 72 available)

Ordering Data

This digit specifies plating

High temperature plastic

0.76 µm (30 µin.) gold over 1.27 µm (50 µin.) nickel
0.38 µm (15 µin.) gold over 1.27 µm (50 µin.) nickel
1.27 µm (50 µin.) gold over 1.27 µm (50 µin.) nickel

-1YY
-2YY
-3YY

3.81 µm (150 µin.) tin-lead
0.38 µm (15 µin.) GXT™ over 1.27 µm (50 µin.) nickel
0.76 µm (30 µin.) GXT™ over 1.27 µm (50 µin.) nickel

-4YY
-5YY
-6YY

Plating

Part Numbers	Dimensions							
	F-Mating (Length Above Plastic)		G-Tail (Length Below Plastic)		H (Pin To Side)		K (Body Width)	
	mm	in.	mm	in.	mm	in.	mm	in.
79841-XYH	1.52	0.060	5.84	0.230	1.14	0.045	4.83	0.190
78576-XYH	3.05	0.120	3.05	0.120	1.78	0.070	6.10	0.240
90234-XYH	3.30	0.130	4.95	0.195	1.14	0.045	4.83	0.190
68715-XYH	3.51	0.138	3.51	0.138	1.14	0.045	4.83	0.190
79200-XYH	3.94	0.155	7.11	0.280	1.78	0.070	6.10	0.240
93939-XYH	4.06	0.160	3.05	0.120	1.78	0.070	6.10	0.240
79204-XYH	4.32	0.170	10.41	0.410	1.78	0.070	6.10	0.240
93932-XYH	5.08	0.200	3.05	0.120	1.78	0.070	6.10	0.240
79201-XYH	5.72	0.225	7.11	0.280	1.78	0.070	6.10	0.240
68780-XYH	5.84	0.230	0.99	0.039	1.14	0.045	4.83	0.190
68695-XYH	5.84	0.230	2.29	0.090	1.14	0.045	4.83	0.190
68020-XYH	5.84	0.230	2.41	0.095	1.14	0.045	4.83	0.190
68405-XYH	5.84	0.230	2.41	0.095	1.78	0.070	6.10	0.240
68463-XYH	5.84	0.230	2.79	0.110	1.78	0.070	6.10	0.240
68021-XYH	5.84	0.230	3.05	0.120	1.14	0.045	4.83	0.190

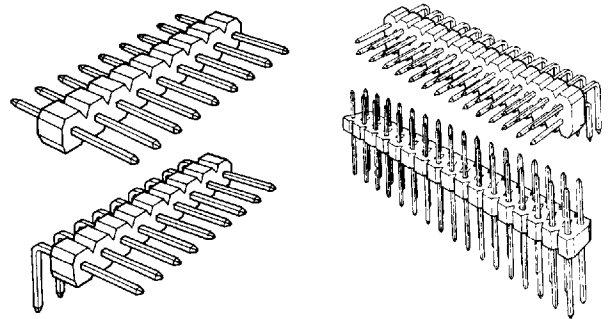
Ordering data shown is for our standard product offering. for non-standard or custom products, contact your authorized Berg Electronics representative.

9005411 0002567 443

Unshrouded Headers

2.54 x 2.54 mm (0.100 x 0.100 in.)
Centerlines

BergStik® II Headers
BergCon® System



A183396-0775

Features

- 1-Row: 1 through 36 total positions.
2-Row: 2 through 72 total positions.
3-Row: 9 through 108 total positions.
- End-to-end and side-to-side stackable on 2.54 mm (0.100 in.) centerlines.
- Can be manually broken to the desired length.
- Drawn (not stamped) 0.64 mm (0.025 in.) square wire presents four surfaces of equal quality.
- Standoffs allow cleaning to eliminate soldering contaminants.
- Optional retention tail provides 2.224 N (0.5 lbf) minimum retention prior to soldering on 1.58 mm (0.062 in.) thick pc boards.
- High-temperature plastic for infra-red soldering operations.
- Available with gold, GXT™ (palladium nickel alloy with gold flash) and tin-lead platings.

Options

- Advanced ground.
- Retentive leg solder tails.
- Custom polarization available.

Mating Data


Mates with 0.64 mm (0.025 in.) compatible receptacles on 2.54 mm (0.100 in.) centerlines.


Berg Electronics Products	Page
▪ Card Connectors	13-122, 13-132, and 13-136
▪ PV™/Mini-latch Housing	13-4 and 13-16
▪ Quickie III™	23-4
▪ Clincher™	20-2
▪ Mini-jump™	13-44

Specifications

- MIL-G-45204
- MIL-P-55110
- MIL-P-81728
- QQ-W-343
- ASTM B-159

Approvals and Certifications

 File no. E66906

 File no. LR46923

Application Equipment

Description	Page
▪ Cutting tool HT-320	13-69

Technical Data

Materials

- Housing material High temperature, Glass-filled PCT (UL 94 V-0)
 - ▶ Color Black
 - ▶ Applicable soldering processes Wave, Vapor-phase, IR reflow
- Pin Phosphor-bronze

Plating

- Underplate 1.27 µm (50 µin.) nickel
- Finish 0.38 µm (15 µin.) gold or 0.76 µm (30 µin.) gold or 1.27 µm (50 µin.) gold or 0.38 µm (15 µin.) GXT™ or 0.76 µm (30 µin.) GXT™
- Finish 3.81 µm (150 µin.) tin-lead

Electrical Performance

- Insulation resistance 5000 MΩ min
- Withstanding voltage 1500 V ac rms (sea level)

- Current rating 3 amp continuous

Mechanical Performance

- Retentive leg insertion force* >44.48 N (10 lbf) max*
- Retentive leg connector retention 2.22 N (0.5 lbf) min*
- Contact retention (pin to housing) 8.88 N (2 lbf)

Operating Environment

- Temperature range -65°C to +130°C

Packaging

- Antistatic Bags
- Antistatic Tubes available on selected part numbers

*Per retentive pin-pair.

Customer Support Materials

Description	Order No.	Description	Order No.
Customer Product Drawings	By Part Number	Product Samples	Upon Request
Product Specifications	BUS-12-050	Test Data	Upon Request
Product Substitutions	Contact Technical Support		

■ 9005411 0002556 668 ■

Unshrouded Headers
2.54 x 2.54 mm (0.100 x 0.100 in.)

Ordering Data (Cont'd)

Part Numbers	Dimensions							
	F-Mating (Length Above Plastic)		G-Tail (Length Below Plastic)		H (Pin To Side)		K (Body Width)	
	mm	in.	mm	in.	mm	in.	mm	in.
79257-YYYH	5.84	0.230	3.05	0.120	1.78	0.070	6.10	0.240
68697-YYYH	5.84	0.230	3.18	0.125	1.14	0.045	4.83	0.190
68492-YYYH	5.84	0.230	3.81	0.150	1.78	0.070	6.10	0.240
68025-YYYH	5.84	0.230	4.95	0.195	1.14	0.045	4.83	0.190
95035-YYYH	5.84	0.230	10.16	0.400	1.14	0.045	4.83	0.190
78923-YYYH	6.10	0.240	2.41	0.095	1.78	0.070	6.10	0.240
79205-YYYH	6.17	0.243	10.41	0.410	1.78	0.070	6.10	0.240
79202-YYYH	6.22	0.245	7.11	0.280	1.78	0.070	6.10	0.240
86385-YYYH	6.60	0.260	3.05	0.120	1.78	0.070	6.10	0.240
68759-YYYH	6.99	0.275	3.05	0.120	1.14	0.045	4.83	0.190
79203-YYYH	8.00	0.315	7.11	0.280	1.78	0.070	6.10	0.240
79206-YYYH	8.00	0.315	10.41	0.410	1.78	0.070	6.10	0.240
88822-YYYH	8.08	0.318	2.03	0.080	1.78	0.070	6.10	0.240
68480-YYYH	8.08	0.318	2.79	0.110	1.14	0.045	4.83	0.190
68022-YYYH	8.08	0.318	2.79	0.110	1.78	0.070	6.10	0.240
79258-YYYH	8.08	0.318	3.05	0.120	1.78	0.070	6.10	0.240
68696-YYYH	8.08	0.318	3.18	0.125	1.14	0.045	4.83	0.190
68459-YYYH	8.08	0.318	3.81	0.150	1.78	0.070	6.10	0.240
86840-YYYH	8.08	0.318	5.84	0.230	1.78	0.070	6.10	0.240
92634-YYYH	8.08	0.318	8.08	0.318	1.14	0.045	4.83	0.190
68740-YYYH	8.76	0.345	2.79	0.110	1.78	0.070	6.10	0.240
68452-YYYH	9.65	0.380	2.79	0.110	1.78	0.070	6.10	0.240
94688-YYYH	9.78	0.385	7.11	0.280	1.78	0.070	6.10	0.240
95182-YYYH	10.16	0.400	2.79	0.110	1.78	0.070	6.10	0.240
68462-YYYH	10.16	0.400	3.05	0.120	1.14	0.045	4.83	0.190
94687-YYYH	10.92	0.430	5.84	0.230	1.14	0.045	4.83	0.190
78951-YYYH	12.70	0.500	3.05	0.120	1.14	0.045	4.83	0.190
69147-YYYH	13.72	0.540	6.60	0.260	1.14	0.045	4.83	0.190

Ordering data shown is for our standard product offering. for non-standard or custom products, contact your authorized Berg Electronics representative.

9005411 0002568 38T