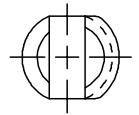
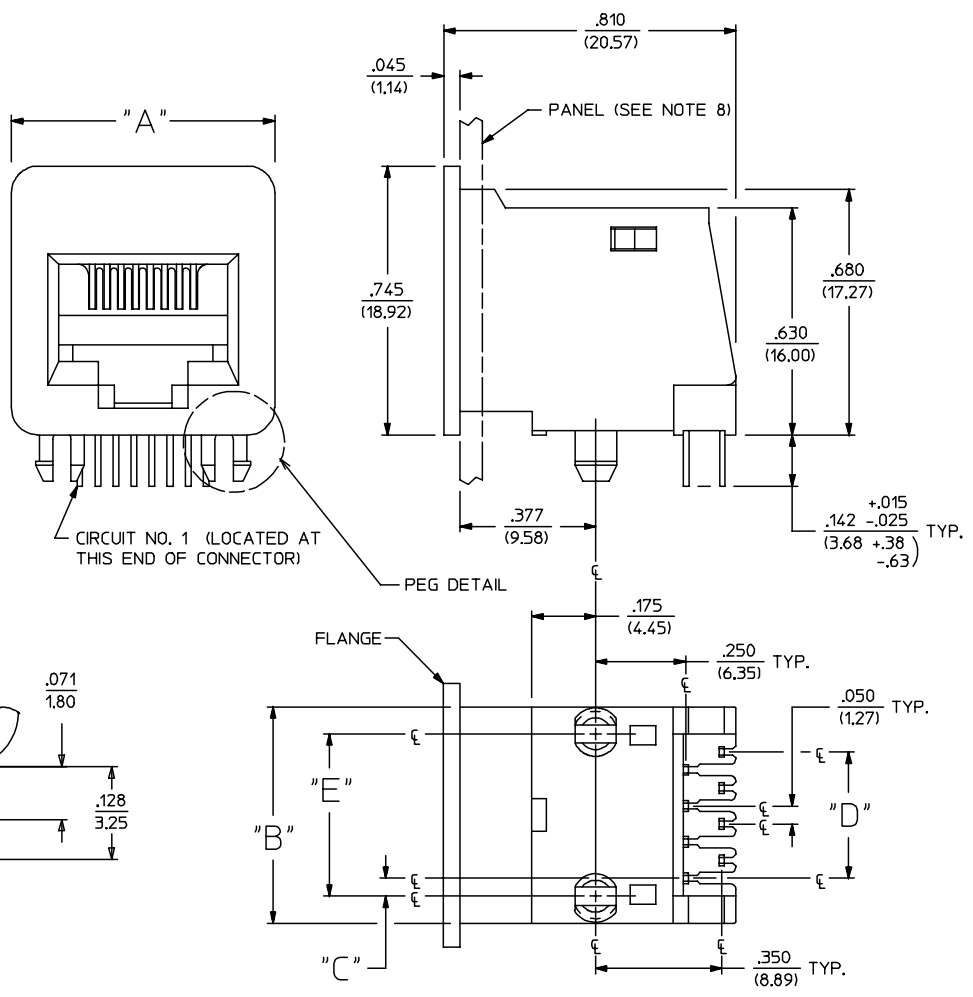


NOTES:

- 1) MATERIALS:
HOUSING: GLASS FILLED POLYESTER, UL94 V-0, COLOR: BLACK
TERMINALS: PHOSPHOR BRONZE
- 2) FINISH:
TERMINALS:
SELECT GOLD IN CONTACT AREA: 50 MICROINCHES MIN.,
*SELECT TIN IN PC TAIL AREA: 100 MICROINCHES MIN.,
WITH OVERALL NICKEL UNDERPLATE: 50 MICROINCHES MIN.
*THE PRIMARY SHIPPING CARTON WILL BE LABELED "COMPLIANT TO RoHS DIRECTIVE 2002/95/EC AND ELV ANNEX II OF DIRECTIVE 2000/53/EC".
CARTONS WITHOUT THIS LABEL MAY CONTAIN PRODUCT WITH TIN-LEAD IN THE PC TAIL AREA.
- 3) ALL JACKS MUST MEET THE REQUIREMENTS OF MOLEX SPECIFICATION #PS-41314.
- 4) PACKAGING OPTIONS: TRAYS OR FILM/AMMO PACK.
- 5) JACKS CONFORM TO AND ACCEPT PLUGS WHICH CONFORM TO FCC REGULATIONS, PART 68.5.
- 6) JACKS ARE TO BE USED WITH .062/(1.57) THICK PRINTED CIRCUIT BOARDS.
- 7) SEE SHEET 3 FOR RECOMMENDED PANEL CUT-OUT AND BOARD LAYOUT DIMENSIONS.
- 8) PANEL TO BE LOCATED AGAINST MODULAR JACK FLANGE AS INDICATED.
- 9) ALL UNTOLERANCED DIMENSIONS ARE SHOWN FOR REFERENCE ONLY.



PEG DETAIL
SCALE: 8:1

SIZE 8 MODULAR JACK HOUSING LOADED WITH 8 TERMINALS IS SHOWN ABOVE

8	2	.730 (18.54)	.600 (15.24)	.200 (5.08)	.050 (1.27)	.450 (11.43)
8	4	.730 (18.54)	.600 (15.24)	.150 (3.81)	.150 (3.81)	.450 (11.43)
8	6	.730 (18.54)	.600 (15.24)	.100 (2.54)	.250 (6.35)	.450 (11.43)
8	8	.730 (18.54)	.600 (15.24)	.050 (1.27)	.350 (8.89)	.450 (11.43)
6	2	.650 (16.51)	.520 (13.21)	.175 (4.45)	.050 (1.27)	.400 (10.16)
6	4	.650 (16.51)	.520 (13.21)	.125 (3.18)	.150 (3.81)	.400 (10.16)
6	6	.650 (16.51)	.520 (13.21)	.075 (1.91)	.250 (6.35)	.400 (10.16)
4	2	.570 (14.48)	.440 (11.18)	.125 (3.18)	.050 (1.27)	.300 (7.62)
4	4	.570 (14.48)	.440 (11.18)	.075 (1.91)	.150 (3.81)	.300 (7.62)
HOUSING SIZE	CIRCUIT SIZE	DIM. "A"	DIM. "B"	DIM. "C"	DIM. "D"	DIM. "E"

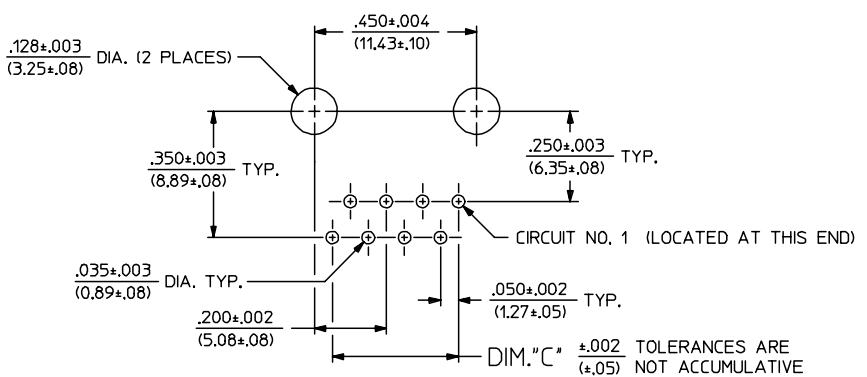
3	T
2	T
1	T
SH	REV

LEAD FREE PLATING EC NO: UCP/2004-1331 DRW:LSCHMIDT 2004/02/23 CHKD:LSCHMIDT 2004/02/23 APPR:FSMITH 2004/02/26	QUALITY SYMBOLS	GENERAL TOLERANCES (UNLESS SPECIFIED)	SCALE 4:1	DESIGN UNITS INCH	THIRD ANGLE PROJECTION	REVISE ON CAD ONLY	
	DESCRIPTION DIMENSIONS TOLERANCES SURFACE FINISH MATERIALS	mm	INCH	DIMENSION STYLE IN/MM		TITLE	
		4 PLACES ± ---	± ---	DRAWN BY DATE		RIGHT ANGLE FLANGE MOUNT MODULAR JACK ASSEMBLY MOLEX INCORPORATED	
		3 PLACES ± ---	± ---	GLT 1990/05/02			
2 PLACES ± ---	± ---	CHECKED BY DATE		MATELIAL NO. DOCUMENT NO. SHEET NO. BAP 1990/05/02 SEE SHEET 2 SDA-41314-***** 1 OF 3			
1 PLACE ± ---	± ---	ANGULAR ±1/2°		THIS DRAWING CONTAINS INFORMATION THAT IS PROPRIETARY TO MOLEX INCORPORATED AND SHOULD NOT BE USED WITHOUT WRITTEN PERMISSION			
DRAFT WHERE APPLICABLE MUST REMAIN WITHIN DIMENSIONS							

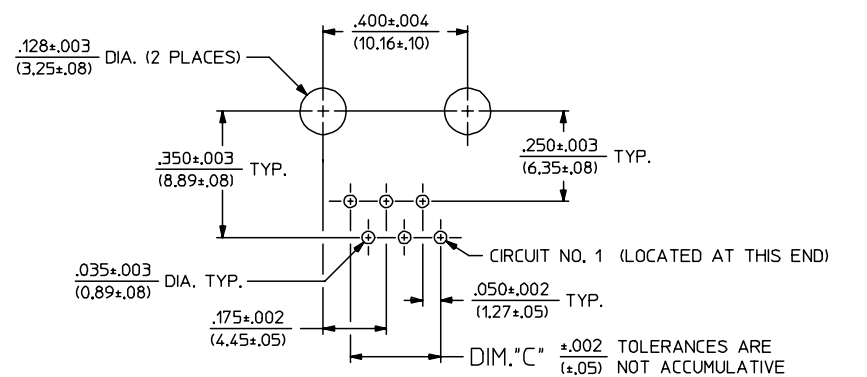
ENGINEERING PART NUMBER	E.D.P. NUMBER	HOUSING SIZE	CIRCUIT SIZE	PACKAGING OPTION
A-41314-44AAAA	015-43-6044	4	4	AMMO PACK
A-41314-44ABAA	015-43-6544	4	4	TRAY PACK
A-41314-42AAAA	015-43-6042	4	2	AMMO PACK
A-41314-42ABAA	015-43-6542	4	2	TRAY PACK
A-41314-66AAAA	015-43-6066	6	6	AMMO PACK
A-41314-66ABAA	015-43-6566	6	6	TRAY PACK
A-41314-64AAAA	015-43-6064	6	4	AMMO PACK
A-41314-64ABAA	015-43-6564	6	4	TRAY PACK
A-41314-62AAAA	015-43-6063	6	2	AMMO PACK
A-41314-62ABAA	015-43-6563	6	2	TRAY PACK
A-41314-88AAAA	015-43-6088	8	8	AMMO PACK
A-41314-88ABAA	015-43-6588	8	8	TRAY PACK
A-41314-86ABAA	015-43-6586	8	6	TRAY PACK
A-41314-84ABAA	015-43-6584	8	4	TRAY PACK
A-41314-82ABAA	015-43-6590	8	2	TRAY PACK

SEE SHEET 1 FOR PART DESCRIPTIONS

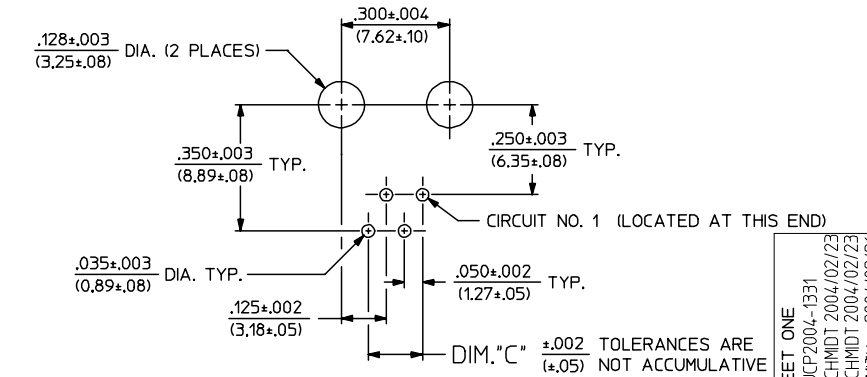
SEE SHEET ONE EC NO: UCP2004-1331 DRWN:LSCHMIDT 2004/02/23 CHKD:LSCHMIDT 2004/02/23 APPR:FSMITH 2004/02/26	QUALITY SYMBOLS	GENERAL TOLERANCES (UNLESS SPECIFIED)	SCALE ---	DESIGN UNITS INCH	THIRD ANGLE PROJECTION	REVISE ON CAD ONLY	
		mm	INCH	DIMENSION STYLE IN/MM		TITLE	
		4 PLACES ± --- ± ---	3 PLACES ± --- ± ---	DRAWN BY GLT	DATE 1990/05/02	RIGHT ANGLE FLANGE MOUNT MODULAR JACK ASSEMBLY	
		2 PLACES ± --- ± ---	1 PLACE ± --- ± ---	CHECKED BY BAP	DATE 1990/05/02	MOLEX INCORPORATED	
	ANGULAR ±1/2°	DRAFT WHERE APPLICABLE MUST REMAIN WITHIN DIMENSIONS	APPROVED BY RAS	DATE 1990/05/02	MATERIAL NO. SEE CHART	DOCUMENT NO. SDA-41314-*****	
			THIS DRAWING CONTAINS INFORMATION THAT IS PROPRIETARY TO MOLEX INCORPORATED AND SHOULD NOT BE USED WITHOUT WRITTEN PERMISSION		SHEET NO. 2 OF 3		



PC BOARD LAYOUT FOR HOUSING SIZE 8



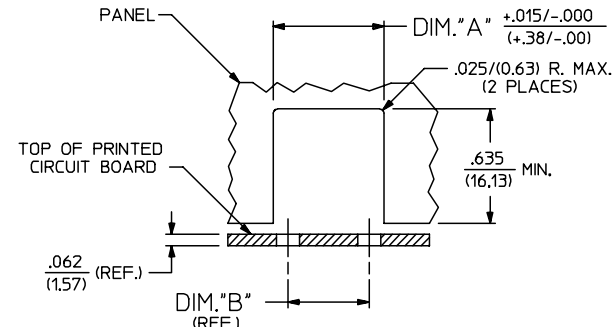
PC BOARD LAYOUT FOR HOUSING SIZE 6



PC BOARD LAYOUT FOR HOUSING SIZE 4

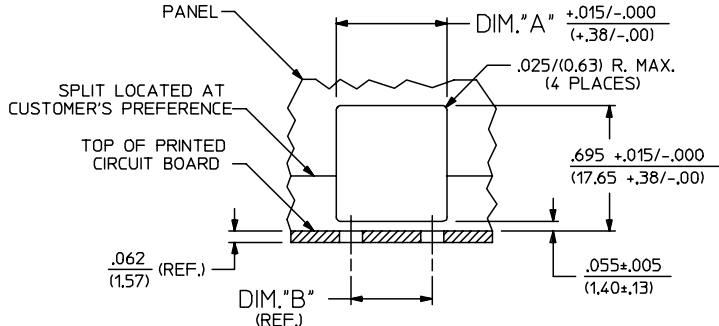
ENGINEERING PART NUMBER	HOUSING SIZE	CIRCUIT SIZE	DIM. "A"	DIM. "B"	DIM. "C"
A-41314-44*****	4	4	.455/(11.56)	.300/(7.62)	.150/(3.81)
A-41314-42*****	4	2	.455/(11.56)	.300/(7.62)	.050/(1.27)
A-41314-66*****	6	6	.535/(13.59)	.400/(10.16)	.250/(6.35)
A-41314-64*****	6	4	.535/(13.59)	.400/(10.16)	.150/(3.81)
A-41314-62*****	6	2	.535/(13.59)	.400/(10.16)	.050/(1.27)
A-41314-88*****	8	8	.615/(15.62)	.450/(11.43)	.350/(8.89)
A-41314-86*****	8	6	.615/(15.62)	.450/(11.43)	.250/(6.35)
A-41314-84*****	8	4	.615/(15.62)	.450/(11.43)	.150/(3.81)
A-41314-82*****	8	2	.615/(15.62)	.450/(11.43)	.050/(1.27)

NOTE: ALL RECOMMENDED BOARD LAYOUTS ARE SHOWN AS COMPONENT SIDE OF BOARD



PANEL CUT-OUT GUIDELINES (OPTION 1)

DIM. "A" MUST BE SYMMETRICAL TO DIM. "B" WITHIN .005/(0.13)



PANEL CUT-OUT GUIDELINES (OPTION 2)

DIM. "A" MUST BE SYMMETRICAL TO DIM. "B" WITHIN .005/(0.13)

SEE SHEET ONE EC NO: UCP/2004-1331 DRW: NLSCHMIDT 2004/02/23 CHKD: LSCHMIDT 2004/02/23 APPR: FSMITH 2004/02/26	QUALITY SYMBOLS ▽ = 0 ▽ = 0	GENERAL TOLERANCES (UNLESS SPECIFIED) mm INCH 4 PLACES ± --- ± --- 3 PLACES ± --- ± --- 2 PLACES ± --- ± --- 1 PLACE ± --- ± --- ANGULAR ±1/2°	SCALE --- INCH DIMENSION STYLE IN/MM DRAWN BY DATE GLT 1990/05/02 CHECKED BY DATE BAP 1990/05/02 APPROVED BY DATE RAS 1990/05/02	DESIGN UNITS INCH THIRD ANGLE PROJECTION REVISE ON CAD ONLY TITLE PANEL/BOARD LAYOUTS FOR RIGHT ANGLE FLANGE MOUNT MODULAR JACK ASSEMBLIES MOLEX MOLEX INCORPORATED MATERIAL NO. DOCUMENT NO. SHEET NO. SEE SHEET 2 SDA-41314-***** 3 OF 3
	DRAFT WHERE APPLICABLE MUST REMAIN WITHIN DIMENSIONS		THIS DRAWING CONTAINS INFORMATION THAT IS PROPRIETARY TO MOLEX INCORPORATED AND SHOULD NOT BE USED WITHOUT WRITTEN PERMISSION	