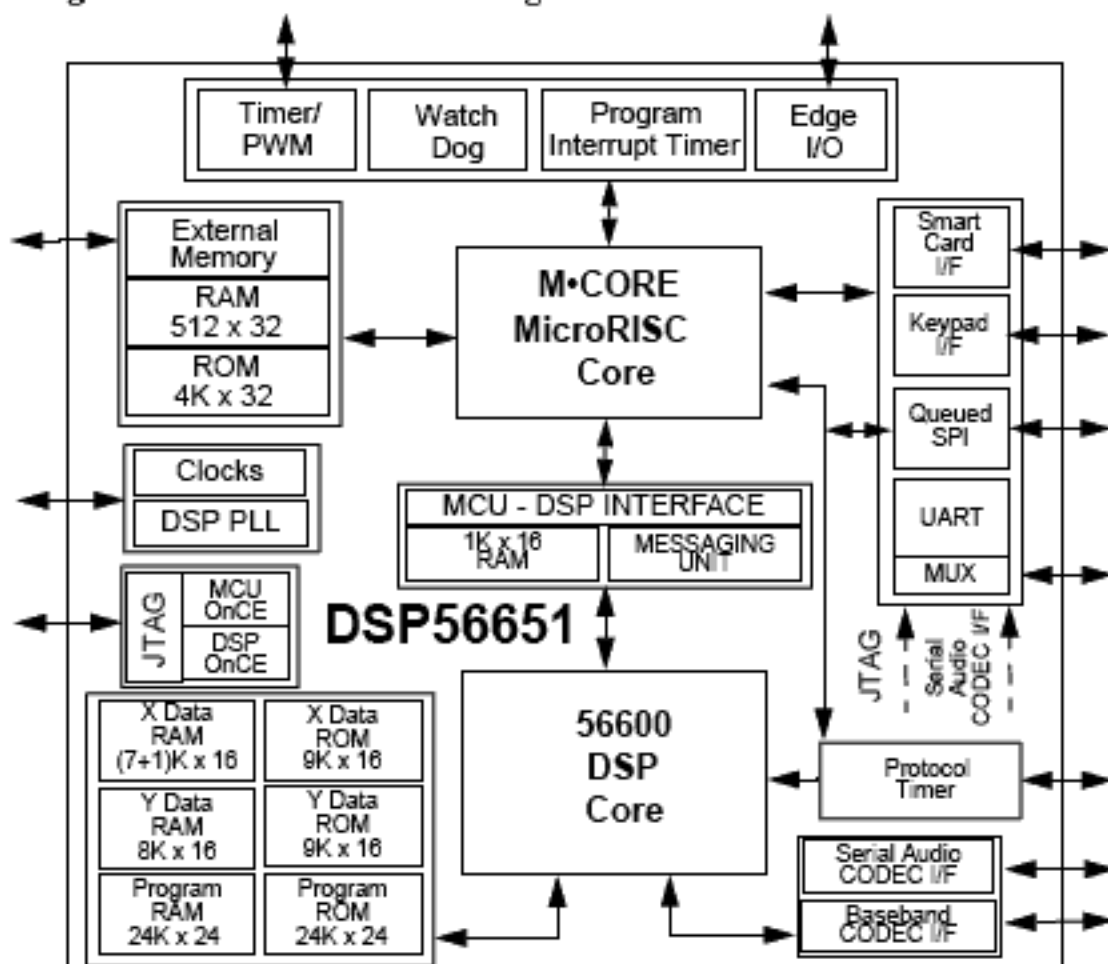


# DSP56651

## Advance Information INTEGRATED CELLULAR BASEBAND PROCESSOR DEVELOPMENT IC

Motorola designed the RAM-based DSP56651 emulation device to support the rigorous demands of developing applications for the cellular subscriber market. The high level of on-chip integration in the DSP56651 and its volume production companion device DSP56652 minimizes application system design complexity and component count, resulting in very compact implementations. This integration also yields very low-power consumption and cost-effective system performance. The DSP56651 chip combines the power of Motorola's 32-bit M•CORE™ MicroRISC Engine (MCU) and the DSP56600 digital signal processor (DSP) core with on-chip memory, protocol timer, and custom peripherals to provide a single-chip cellular base-band processor. **Figure 1** shows the basic block diagram of the DSP56651.



AA1617

**Figure 1 DSP56651 System Block Diagram**

**Development Part Only—Not intended for production.  
 Requires a higher voltage than the production part.**

This document contains information on a new product. Specifications and information herein are subject to change without notice.

**FEATURES**

- RISC M•CORE MCU
  - 32-bit load/store RISC architecture
  - Fixed 16-bit instruction length
  - 16-entry 32-bit general-purpose register file
  - 32-bit internal address and data buses
  - Efficient four-stage, fully interlocked execution pipeline
  - Single-cycle execution for most instructions, two cycles for branches and memory accesses
  - Special branch, byte, and bit manipulation instructions
  - Support for byte, half-word, and word memory accesses
  - Fast interrupt support via vectoring/auto-vectoring and a 16-entry dedicated alternate register file
- High-performance DSP56600 core
  - 1 × engine (e.g., 70 MHz = 70 MIPS)
  - Fully pipelined 16 × 16-bit parallel multiplier-accumulator (MAC)
  - Two 40-bit accumulators including extension bits
  - 40-bit parallel barrel shifter
  - Highly parallel instruction set with unique DSP addressing modes
  - Position-independent code support
  - Nested hardware DO loops
  - Fast auto-return interrupts
  - On-chip support for software patching and enhancements
  - Realtime trace capability via external address bus
- On-chip memories
  - 4K × 32-bit MCU ROM
  - 512 × 32-bit MCU RAM
  - 24K × 24-bit DSP program ROM
  - 24K × 24-bit DSP program RAM
  - 18K × 16-bit DSP data ROM, split into 9K × 16-bit X and 9K × 16-bit Y data ROM
  - 16K × 16-bit DSP data RAM, split into (7+1)K × 16-bit X and 8K × 16-bit Y data RAM

Preliminary

- On-chip peripherals
  - Fully programmable phase-locked loop (PLL) for DSP clock generation
  - External interface module (EIM) for glueless system integration
  - External 22-bit address and 16-bit data MCU buses
  - Thirty-two source MCU interrupt controller
  - Intelligent MCU/DSP interface (MDI) dual 1K x 16-bit RAM (shares 1K DSP X data RAM) with messaging status and control
  - Serial audio codec port
  - Serial baseband codec port
  - Protocol timer frees the MCU from radio channel timing events
  - Queued serial peripheral interface (SPI)
  - Keypad port capable of scanning up to an 8 × 8 matrix keypad
  - General-purpose MCU and DSP timers
  - Pulse width modulation (PWM) output
  - Universal asynchronous receiver/transmitter (UART) with FIFO
  - IEEE 1149.1-compliant boundary scan JTAG test access port (TAP)
  - Integrated DSP/M•CORE On-Chip Emulation (OnCE™) module
  - DSP address bus visibility mode for system development
  - ISO 7816-compatible Smart Card port
- Operating features
  - Comprehensive static and dynamic power management
  - M•CORE operating frequency: dc to 16.8 MHz at 2.4 V
  - DSP operating frequency: dc to 58.8 MHz at 2.4 V
  - Operating temperature: –40° to 85°C ambient
  - Package option: 17 × 17 mm, 196-lead PBGA

## TARGET APPLICATIONS

The DSP56651 is intended for the development of cellular subscriber applications and other applications needing both DSP and control processing.

Preliminary

# Freescale Semiconductor, Inc.


## PRODUCT DOCUMENTATION

The four manuals listed in **Table 1** are required for a complete description of the DSP56651 and are necessary to design with the part properly. Documentation is available from a local Motorola distributor, a Motorola semiconductor sales office, a Motorola Literature Distribution Center, or the World Wide Web.

**Table 1 DSP56651 Documentation**

Document Name	Description of Contents	Order Number
DSP56600 Family Manual	Detailed description of the DSP56600 family core processor architecture and instruction set	DSP56600FM/AD
M•CORE Reference Manual	Detailed description of the MicroRisc M•CORE MCU and instruction set	MCORERM/AD
DSP56652 User's Manual	Detailed description of DSP56651 memory, peripherals, and interfaces	DSP56652UM/AD
DSP56651 Technical Data	DSP56651 pin and package descriptions; electrical and timing specifications	DSP56651/D

M•CORE, Mfax, and OnCE are trademarks of Motorola, Inc.

Motorola reserves the right to make changes without further notice to any products herein. Motorola makes no warranty, representation or guarantee regarding the suitability of its products for any particular purpose, nor does Motorola assume any liability arising out of the application or use of any product or circuit, and specifically disclaims any and all liability, including without limitation consequential or incidental damages. "Typical" parameters which may be provided in Motorola data sheets and/or specifications can and do vary in different applications and actual performance may vary over time. All operating parameters, including "Typicals" must be validated for each customer application by customer's technical experts. Motorola does not convey any license under its patent rights nor the rights of others. Motorola products are not designed, intended, or authorized for use as components in systems intended for surgical implant into the body, or other applications intended to support life, or for any other application in which the failure of the Motorola product could create a situation where personal injury or death may occur. Should Buyer purchase or use Motorola products for any such unintended or unauthorized application, Buyer shall indemnify and hold Motorola and its officers, employees, subsidiaries, affiliates, and distributors harmless against all claims, costs, damages, and expenses, and reasonable attorney fees arising out of, directly or indirectly, any claim of personal injury or death associated with such unintended or unauthorized use, even if such claim alleges that Motorola was negligent regarding the design or manufacture of the part. Motorola and  are registered trademarks of Motorola, Inc. Motorola, Inc. is an Equal Opportunity/Affirmative Action Employer.

How to reach us:

**USA/Europe/Locations Not Listed:**

Motorola Literature Distribution  
P.O. Box 5405  
Denver, Colorado 80217  
1 (800) 441-2447 (within US)  
1 (303) 675-2140 (outside US)  
1 (303) 675-2150 (direct FAX)

**Mfax™:**

RMFAX0@email.sps.mot.com  
TOUCHTONE (602) 244-6609

**Asia/Pacific:**

Motorola Semiconductors H.K. Ltd.  
8B Tai Ping Industrial Park  
51 Ting Kok Road  
Tai Po, N.T., Hong Kong  
852-2662928

**Technical Resource Center:**

1 (800) 521-6274

**DSP Helpline**

dsphelp@dsp.sps.mot.com

**Japan:**

Nippon Motorola Ltd.  
SPD, Strategic Planning Office, 141  
4-32-1, Nishi-Gotanda  
Shinagawa-ku, Tokyo, Japan  
81-3-5487-8488

**Internet:**

[www.motorola-dsp.com](http://www.motorola-dsp.com)



**MOTOROLA**

**For More Information On This Product,  
Go to: [www.freescale.com](http://www.freescale.com)**

Freescale Semiconductor, Inc.