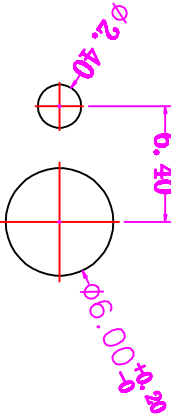
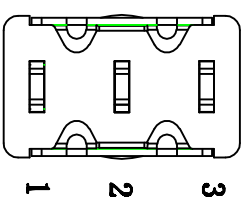
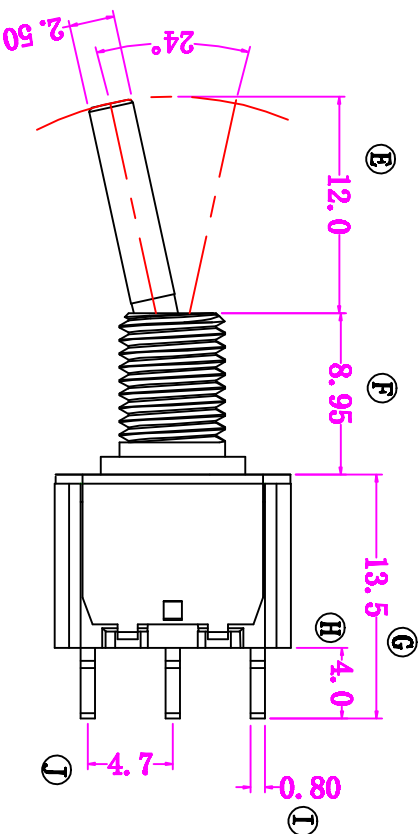
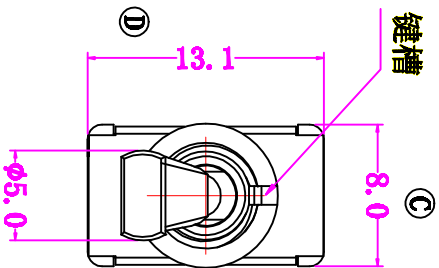


螺母



安装孔尺寸

标注: A-J 为重点检测尺寸

手柄位置及导通端子示意图

Model NO.	POS. 1	POS. 2	POS. 3	SCHEMATIC		
				1	2	3
103	ON	OFF	ON	1	2	3
				2	3	1

Technical characteristics

SPECIFICATION: 5 A max. @ 125 VAC.
 2 A max. @ 250 VAC.
 MECHANICAL LIFE: 40,000 make-and-break cycles.
 CONTACT RESISTANCE: 20mΩ max. initial @2-4VDC
 100mA for both silver.
 INSULATION RESISTANCE: 1000 MΩ min.
 DIELECTRIC STRENGTH: 1500 VAC min.
 OPERATING TEMPERATURE: -30°C to +85°C.

Materials

CASE: PPA (UL 94V-0)
 HOUSING: Stainless Steel.
 ACTUATOR: Alloy, chrome plated.
 BUSHING: Alloy, nickel plated.
 CONTACT/TERMINALS: Copper alloy silver plated.
 RoHS

源丰电子(深圳)有限公司

YUENFUNG ELECTRONICS (SHENZHEN) CO., LTD

公差 TOLERANCES	版本 VERSION	比例尺 SCALE	角度 ANGLE	日期 DATE	UNIT	SCALE	TOGGLE SWITCH
.X±0.4 .XX±0.25	A0	NONE	±5°	2021.9.23	mm	1:1	
核准 APPROVED BY	日期 DATE	核对 CHECKED BY	绘图 DRAWN BY	WSL			
变更说明 CHANGE DESCRIPTION	日期 DATE	ECN NO.	APPROVED BY	WSL			
版本 VER	变更说明 CHANGE DESCRIPTION	日期 DATE	ECN NO.	APPROVED BY	源丰电子(深圳)有限公司		
					YUENFUNG ELECTRONICS (SHENZHEN) CO., LTD		
					UNIT mm SCALE 1:1		
					TITLE 图名 TOGGLE SWITCH		
					DWG NO. 料号		
					PART NO. 型号 MT-0-103-F001-T000-RS		